



**AS85049/17**  
**EMI/RFI Environmental Backshell**

**Glenair Connector  
Designator F**

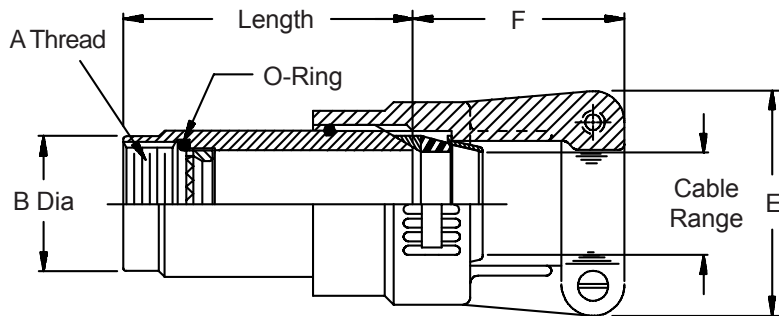
**MIL-DTL-38999 Series I &  
II, 40M38277, PAN 6433-1,  
PATT 614, PATT 616,  
NFC93422 Series HE308 &  
HE309**

**M85049/17 10 N 03 A**

Basic Part No. \_\_\_\_\_  
Shell Size \_\_\_\_\_  
Finish \_\_\_\_\_  
Length Code (Omit for Standard) \_\_\_\_\_  
Clamp Size \_\_\_\_\_  
N = Electroless Nickel  
W = 1,000 Hr. Cadmium Olive Drab Over Electroless Nickel

**TABLE I**

Shell Size	A Thread Class 2B	B Dia Max
08	.438 - 28 UNEF	.57 (14.5)
10	.562 - 24 UNEF	.70 (17.8)
12	.688 - 24 UNEF	.83 (21.1)
14	.813 - 20 UNEF	.95 (24.1)
16	.938 - 20 UNEF	1.08 (27.4)
18	1.063 - 18 UNEF	1.20 (30.5)
20	1.188 - 18 UNEF	1.33 (33.8)
22	1.313 - 18 UNEF	1.45 (36.8)
24	1.438 - 18 UNEF	1.58 (40.1)



**TABLE II**

Shell Size	Shell Size		Clamp Size	
	Series 1 Ref.	Series 1	Min	Max
08	9	01	02	
10	11	01	03	
12	13	02	04	
14	15	02	05	
16	17	02	06	
18	19	03	07	
20	21	03	08	
22	23	03	09	
24	25	04	10	

**TABLE III**

Clamp Size	Cable Range		E Max	F Max
	Min	Max		
01	.062 (1.6)	.125 (3.2)	.781 (19.8)	1.250 (31.8)
02	.125 (3.2)	.250 (6.4)	.969 (24.6)	1.250 (31.8)
03	.250 (6.4)	.375 (9.5)	1.062 (27.0)	1.250 (31.8)
04	.375 (9.5)	.500 (12.7)	1.156 (29.4)	1.250 (31.8)
05	.500 (12.7)	.625 (15.9)	1.250 (31.8)	1.312 (33.3)
06	.625 (15.9)	.750 (19.1)	1.375 (34.9)	1.375 (34.9)
07	.750 (19.1)	.875 (22.2)	1.500 (38.1)	1.500 (38.1)
08	.875 (22.2)	1.000 (25.4)	1.625 (41.3)	1.625 (41.3)
09	1.000 (25.4)	1.125 (28.6)	1.750 (44.5)	1.625 (41.3)
10	1.125 (28.6)	1.250 (31.8)	1.875 (47.6)	1.625 (41.3)

**TABLE IV**

Length Code	Available Shell Sizes	Length
Std.	08 - 24	1.50 (38.1)
A	08 - 24	2.50 (63.5)
B	14 - 24	3.50 (88.9)
C	20 - 24	4.50 (114.3)

1. For complete dimensions see applicable Military Specification.
2. Metric dimensions (mm) are indicated in parentheses.
3. Cable range is defined as the accommodation range for the wire bundle or cable. Dimensions shown are not intended for inspection criteria.