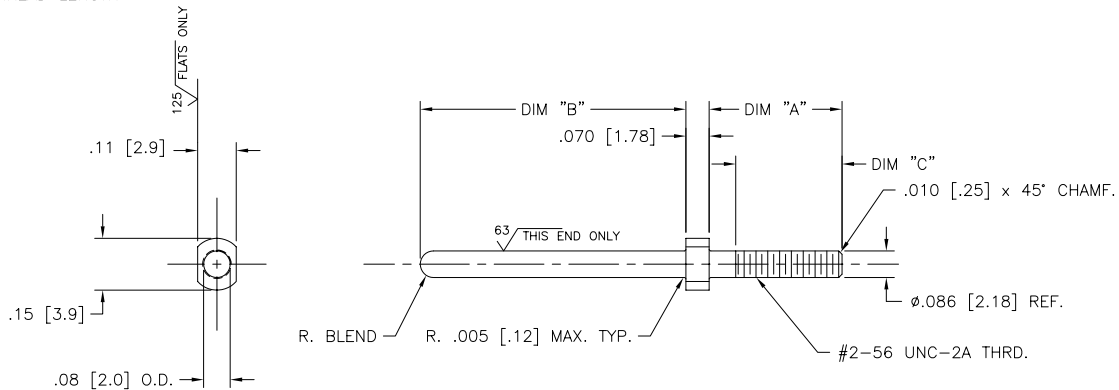


PRODUCT NO. NOTE 8	DIM "A"	DIM "B"	MATERIAL	DIM "C"*	SHEET NO.	APPLICATION NOTES
77031-102 77031-102LF	.37/9.5	.585/14.86	STAINLESS STEEL AISI 430 or 416	.320/8.13	SEE SHT. 2	3
77031-103 77031-103LF	.50/12.7	.585/14.86		.320/8.13	SEE SHT. 3	4
77031-106 77031-106LF	.43/10.9	.585/14.86		.320/8.13	SEE SHT. 4	5
77031-113 77031-113LF	.75/19.1	.585/14.86		.320/8.13	SEE SHT. 5	6 AND 7

\* MINIMUM THREAD LENGTH

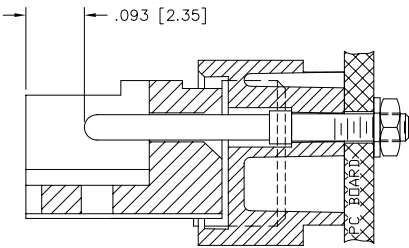
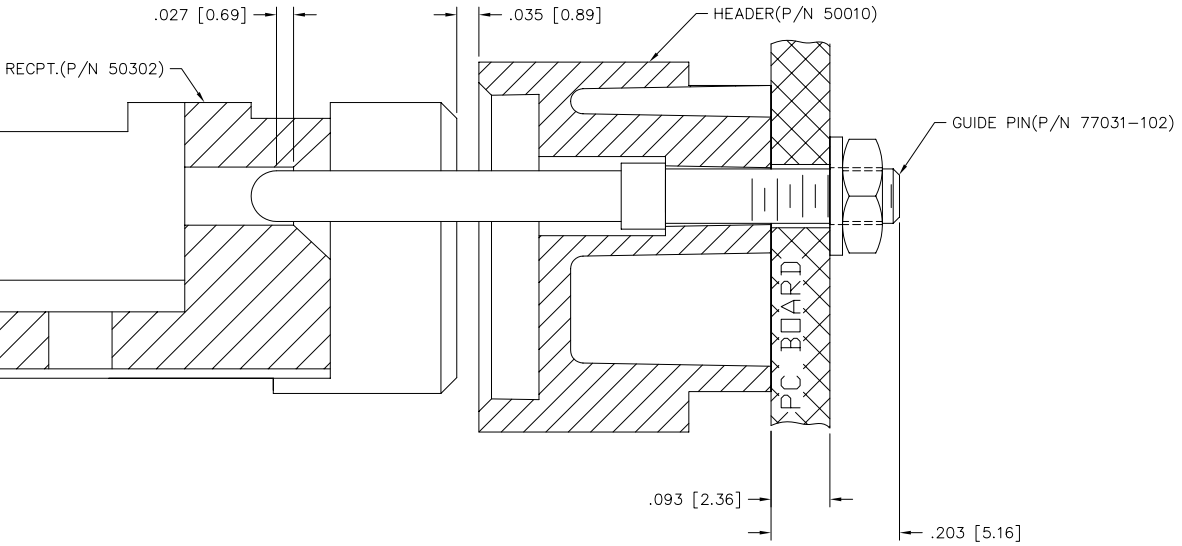


NOTES:

- MECHANICAL GUIDANCE ONLY.
- GUIDE PIN IS .027 [.68] LONGER THAN WHAT IS REQUIRED TO ALIGN CONNECTORS WHEN HOUSING FACES ARE .035 [.88] APART.
- SHROUD CAN'T BE USED WITH THIS GUIDE PIN.
- GUIDE PIN MAY BE USED WITH A SHROUD OR SCREWED TO A .187 [4.74] PCB.
- GUIDE PIN MAY BE USED WITH...  
... SHROUD AND .125 [3.17] PCB.  
... NUT, WASHER, AND .125 [3.17] PCB.
- GUIDE PIN MAY USE SHROUD OR SCREW.  
APPLICATION MAY USE MOUNTING FRAME.
- MAXIMUM STACK IS .480 [12.20].
- ADD AN LF SUFFIX TO PART NUMBERS FOR PRODUCT THAT MEETS EUROPEAN UNION DIRECTIVES AND OTHER COUNTRY REGULATIONS AS DESCRIBED IN GS-22-008.
- THIS PRODUCT IS NOT INTENDED TO BE EXPOSED TO MANUFACTURING SOLDER PROCESSES.

mat'l. code SEE TABLE	surface ISO 1302	tolerance ISO 406 ISO 1101	projection	product family HPC
ltr D V20385 MRC 3/27/92	tolerances unless otherwise specified	angles linear	INCH/MM	title CENTER GUIDE PIN
E V32128 GIP 11/18/93	0°±2'	xxx±.005/13	scale 1:1	dwg no 77031
F V00717 LSS 3/22/00	enr	xxxx±.0020/05	FCJ	sheet 1 of 5 A3
G V05-0964 HTB 10/18/05	chr	M.GRAY 3/22/00		size A3
H M06-0260 MHT 7/07/06	appd	M.GRAY 3/22/00		type Product Customer Drawing
sheet index	revision sheet	H H H H H H		
1	1	2 3 4 5		

PRODUCT NO.  
77031-102

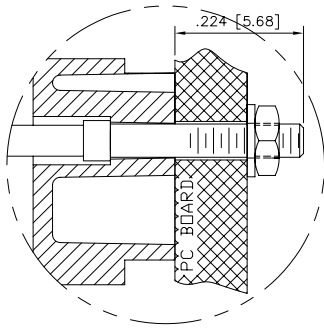
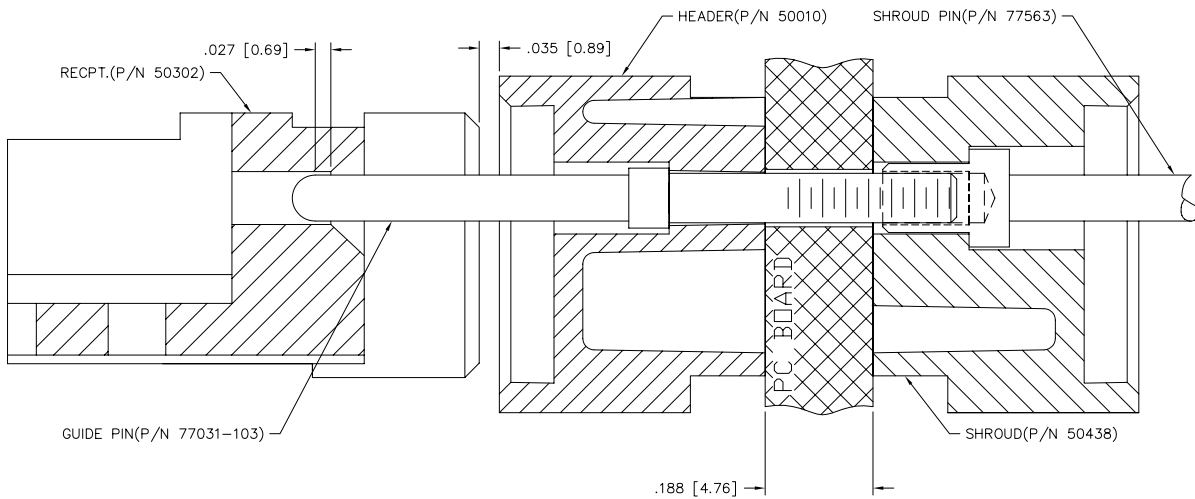


HOUSINGS FULLY MATED  
(SCALE 20:1)

mat'l. code	surface	tolerance	projection	product family
SEE TABLE	ISO 1302	ISO 406		HPC
ISO 1101	tolerances unless otherwise specified	ISO 1101	INCH/MM	title
ltr	ecn	no	dr	date
H				
angles	linear	.XX±.01/.3	scale 1:1	77031
0°±2'		.XXX±.005/.13		sheet 2 of 5
dr	LSANDERS	3/22/00		A3
enrg	M.GRAY	3/22/00		type
chr	M.GRAY	3/22/00		Product Customer Drawing
appd	M.GRAY	3/22/00		
sheet index	revision sheet			

PDM: Rev:H STATUS:Released Printed: Feb 06, 2010

PRODUCT NO  
77031-103



BOARD MOUNTED OPTION  
(SCALE 30:1)

mat'l. code	surface	tolerance	projection	product family
SEE TABLE	ISO 1302 <input checked="" type="checkbox"/>	ISO 406		HPC
ISO 1101	tolerances unless otherwise specified	ISO 1101		
ltr	ecn	no	dr	date
H				
angles	linear	.XX±.01/.3	INCH/MM	title
0°±2'		.XXX±.005/.13	scale 1:1	CENTER GUIDE PIN
dr	LSANDERS	3/22/00		dwg no
enrg	M.GRAY	3/22/00		77031
chr	M.GRAY	3/22/00		sheet 3 of 5
appd	M.GRAY	3/22/00		size A3
sheet	revision			type
index	sheet			Product Customer Drawing

PDM: Rev:H STATUS:Released Printed: Feb 06, 2010



