



AS85049/25 and MS3437C EMI/RFI Non-Environmental Backshells

Glenair Connector Designator A

MIL-DTL-5015 Series 3400,
MIL-DTL-26482 Series 2,
AS81703 Series 3,
MIL-DTL-83723 Series I &
III, 40M39569, DEF 5326-3,
EN 2997, EN 3646,
ESC 10, ESC 11, LN 29504,
NFC93422 Series HE302,
PAN 6432-1, PAN 6432-2,
PATT 602

M85049/25-21 N

Basic Part No.

Dash No. (Table II)

Finish and Material

B = Black Cadmium, Stainless Steel

N = Electroless Nickel, Aluminum

S = Passivated Stainless Steel

W = 1,000 Hour Cadmium Olive Drab

Over Electroless Nickel, Aluminum

MS3437C 21 N

Basic Part No.

Dash No. (Table II)

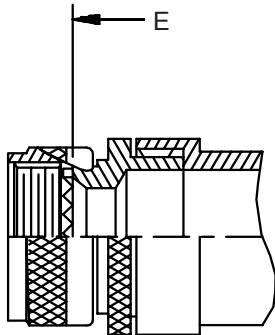
Finish

A = Cadmium Olive Drab over Nickel

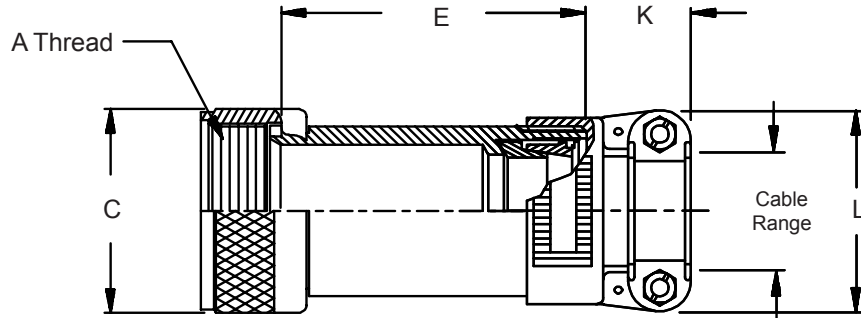
C = Cadmium Olive Drab

N = Electroless Nickel

Superceded Part Number



STYLE 2



STYLE 1

TABLE I

Shell Size	A Thread Class 2B	C Dia Max
03	.562 - 24 UNEF	.77 (19.6)
08	.500 - 20 UNF	.65 (16.5)
10	.625 - 24 UNEF	.77 (19.6)
12	.750 - 20 UNEF	.40 (10.2)
14	.875 - 20 UNEF	1.02 (25.9)
16	1.000 - 20 UNEF	1.21 (30.7)
18	1.062 - 18 UNEF	1.23 (31.2)
20	1.188 - 18 UNEF	1.36 (34.5)
22	1.313 - 18 UNEF	1.48 (37.6)
24	1.438 - 18 UNEF	1.73 (43.9)
28	1.750 - 18 UNS	1.97 (50.0)
32	2.000 - 18 UNS	2.22 (56.4)
36	2.250 - 16 UN	2.47 (62.7)
40	2.500 - 16 UN	2.72 (69.1)
44	2.750 - 16 UN	2.97 (75.4)
48	3.000 - 16 UN	3.22 (81.8)
61	1.500 - 18 UNEF	1.67 (42.4)

1. For complete dimensions see applicable Military Specification.
2. Metric dimensions (mm) are indicated in parentheses.
3. When maximum cable entry is exceeded, Style 2 will be supplied.
4. Cable range is defined as the accommodations range for the wire bundle or cable. Dimensions shown are not intended for inspection criteria.

AS85049/25 and MS3437C EMI/RFI Non-Environmental Backshells



EMI/RFI
Non-Env.
Backshells

TABLE II

Dash No.	Shell Size	Style	E		K		L		Cable Range				M85049/42 Ref
			Max	(in)	Ref.	(in)	Max	(in)	Min	(in)	Max	(in)	
01	03	1	2.062	(52.4)	1.027	(26.1)	.957	(24.3)	.125	(3.2)	.250	(6.4)	4
02	03	1	3.063	(77.8)	1.027	(26.1)	.957	(24.3)	.125	(3.2)	.250	(6.4)	4
03	03	2	2.812	(71.4)	1.027	(26.1)	1.145	(29.1)	.250	(6.4)	.437	(11.1)	6
04	03	2	3.812	(96.8)	1.027	(26.1)	1.145	(29.1)	.250	(6.4)	.437	(11.1)	6
05	08	1	2.062	(52.4)	1.027	(26.1)	.957	(24.3)	.125	(3.2)	.250	(6.4)	4
06	08	1	3.062	(77.8)	1.027	(26.1)	.957	(24.3)	.125	(3.2)	.250	(6.4)	4
07	08	2	2.812	(71.4)	1.027	(26.1)	1.145	(29.1)	.250	(6.4)	.437	(11.1)	6
08	08	2	3.812	(96.8)	1.027	(26.1)	1.145	(29.1)	.250	(6.4)	.437	(11.1)	6
09	10	1	2.062	(52.4)	1.027	(26.1)	.957	(24.3)	.125	(3.2)	.312	(7.9)	4
10	10	1	3.062	(77.8)	1.027	(26.1)	.957	(24.3)	.125	(3.2)	.312	(7.9)	4
11	10	2	2.812	(71.4)	1.027	(26.1)	1.145	(29.1)	.250	(6.4)	.437	(11.1)	6
12	10	2	3.812	(96.8)	1.027	(26.1)	1.145	(29.1)	.250	(6.4)	.437	(11.1)	6
13	12	1	2.062	(52.4)	1.027	(26.1)	1.145	(29.1)	.250	(6.4)	.437	(11.1)	6
14	12	1	3.062	(77.8)	1.027	(26.1)	1.145	(29.1)	.250	(6.4)	.437	(11.1)	6
15	12	2	2.812	(71.4)	1.027	(26.1)	1.332	(33.8)	.350	(8.9)	.625	(15.9)	10
16	12	2	3.812	(96.8)	1.027	(26.1)	1.332	(33.8)	.350	(8.9)	.625	(15.9)	10
17	14	1	2.062	(52.4)	1.027	(26.1)	1.332	(33.8)	.350	(8.9)	.575	(14.6)	10
18	14	1	3.062	(77.8)	1.027	(26.1)	1.332	(33.8)	.350	(8.9)	.575	(14.6)	10
19	14	2	2.812	(71.4)	1.059	(26.9)	1.551	(39.4)	.500	(12.7)	.750	(19.1)	12
20	14	2	3.812	(96.8)	1.059	(26.9)	1.551	(39.4)	.500	(12.7)	.750	(19.1)	12
21	16	1	2.062	(52.4)	1.059	(26.9)	1.551	(39.4)	.500	(12.7)	.700	(17.8)	12
22	16	1	3.062	(77.8)	1.059	(26.9)	1.551	(39.4)	.500	(12.7)	.700	(17.8)	12
23	16	2	2.812	(71.4)	1.156	(29.4)	1.770	(45.0)	.625	(15.9)	.937	(23.8)	16
24	16	2	3.812	(96.8)	1.156	(29.4)	1.770	(45.0)	.625	(15.9)	.937	(23.8)	16
25	18	1	2.062	(52.4)	1.027	(26.1)	1.332	(33.8)	.350	(8.9)	.625	(15.9)	10
26	18	1	3.062	(77.8)	1.027	(26.1)	1.332	(33.8)	.350	(8.9)	.625	(15.9)	10
27	18	1	2.062	(52.4)	1.059	(26.9)	1.551	(39.4)	.500	(12.7)	.750	(19.1)	12
28	18	1	3.062	(77.8)	1.059	(26.9)	1.551	(39.4)	.500	(12.7)	.750	(19.1)	12
29	18	2	2.812	(71.4)	1.156	(29.4)	1.770	(45.0)	.625	(15.9)	.937	(23.8)	16
30	18	2	3.812	(96.8)	1.156	(29.4)	1.770	(45.0)	.625	(15.9)	.937	(23.8)	16
31	20	1	3.062	(77.8)	1.027	(26.1)	1.332	(33.8)	.350	(8.9)	.625	(15.9)	10
32	20	1	4.062	(103.2)	1.027	(26.1)	1.332	(33.8)	.350	(8.9)	.625	(15.9)	10
33	20	1	3.062	(77.8)	1.059	(26.9)	1.551	(39.4)	.500	(12.7)	.750	(19.1)	12
34	20	1	4.062	(103.2)	1.059	(26.9)	1.551	(39.4)	.500	(12.7)	.750	(19.1)	12
35	20	2	3.812	(96.8)	1.156	(29.4)	1.770	(45.0)	.625	(15.9)	.937	(23.8)	16
36	20	2	4.812	(122.2)	1.156	(29.4)	1.770	(45.0)	.625	(15.9)	.937	(23.8)	16
37	20	2	3.812	(96.8)	1.375	(34.9)	2.113	(53.7)	.875	(22.2)	1.250	(31.8)	20
38	20	2	4.812	(122.2)	1.375	(34.9)	2.113	(53.7)	.875	(22.2)	1.250	(31.8)	20
39	22	1	3.062	(77.8)	1.027	(26.1)	1.332	(33.8)	.350	(8.9)	.625	(15.9)	10
40	22	1	4.062	(103.2)	1.027	(26.1)	1.332	(33.8)	.350	(8.9)	.625	(15.9)	10
41	22	1	3.062	(77.8)	1.059	(26.9)	1.551	(39.4)	.500	(12.7)	.750	(19.1)	12
42	22	1	4.062	(103.2)	1.059	(26.9)	1.551	(39.4)	.500	(12.7)	.750	(19.1)	12
43	22	1	3.062	(77.8)	1.156	(29.4)	1.770	(45.0)	.625	(15.9)	.937	(23.8)	16
44	22	1	4.062	(103.2)	1.156	(29.4)	1.770	(45.0)	.625	(15.9)	.937	(23.8)	16
45	22	2	3.812	(96.8)	1.375	(34.9)	2.113	(53.7)	.875	(22.2)	1.250	(31.8)	20
46	22	2	4.812	(122.2)	1.375	(34.9)	2.113	(53.7)	.875	(22.2)	1.250	(31.8)	20
47	24	1	3.062	(77.8)	1.059	(26.9)	1.551	(39.4)	.500	(12.7)	.750	(19.1)	12
48	24	1	4.062	(103.2)	1.059	(26.9)	1.551	(39.4)	.500	(12.7)	.750	(19.1)	12
49	24	1	3.062	(77.8)	1.156	(29.4)	1.770	(45.0)	.625	(15.9)	.812	(20.6)	16
50	24	1	4.062	(103.2)	1.156	(29.4)	1.770	(45.0)	.625	(15.9)	.812	(20.6)	16
51	24	1	3.062	(77.8)	1.156	(29.4)	1.770	(45.0)	.625	(15.9)	.937	(23.8)	16
52	24	1	4.062	(103.2)	1.156	(29.4)	1.770	(45.0)	.625	(15.9)	.937	(23.8)	16

Table I Continued on Page 38-12



AS85049/25 and MS3437C
EMI/RFI Non-Environmental Backshells

TABLE II (Continued From Page 38-11)

Dash No.	Shell Size	Style	E Max	K Ref.	L Max	Cable Range		M85049/42 Ref
						Min	Max	
53	24	2	3.812 (96.8)	1.375 (34.9)	2.113 (53.7)	.875 (22.2)	1.250 (31.8)	20
54	24	2	4.812 (122.2)	1.375 (34.9)	2.113 (53.7)	.875 (22.2)	1.250 (31.8)	20
55	28	1	3.062 (77.8)	1.059 (26.9)	1.551 (39.4)	.500 (12.7)	.750 (19.1)	12
56	28	1	4.062 (103.2)	1.059 (26.9)	1.551 (39.4)	.500 (12.7)	.750 (19.1)	12
57	28	1	3.062 (77.8)	1.156 (29.4)	1.770 (45.0)	.625 (15.9)	.937 (23.8)	16
58	28	1	4.062 (103.2)	1.156 (29.4)	1.770 (45.0)	.625 (15.9)	.937 (23.8)	16
59	28	1	3.062 (77.8)	1.375 (34.9)	2.113 (53.7)	.875 (22.2)	1.250 (31.8)	20
60	28	1	4.062 (103.2)	1.375 (34.9)	2.113 (53.7)	.875 (22.2)	1.250 (31.8)	20
61	28	1	3.062 (77.8)	1.500 (38.1)	2.363 (60.0)	1.000 (25.4)	1.375 (34.9)	24
62	28	1	4.062 (103.2)	1.500 (38.1)	2.363 (60.0)	1.000 (25.4)	1.375 (34.9)	24
63	32	1	3.062 (77.8)	1.156 (29.4)	1.770 (45.0)	.625 (15.9)	.937 (23.8)	16
64	32	1	4.062 (103.2)	1.156 (29.4)	1.770 (45.0)	.625 (15.9)	.937 (23.8)	16
65	32	1	3.062 (77.8)	1.375 (34.9)	2.113 (53.7)	.875 (22.2)	1.250 (31.8)	20
66	32	1	4.062 (103.2)	1.375 (34.9)	2.113 (53.7)	.875 (22.2)	1.250 (31.8)	20
67	32	1	3.062 (77.8)	1.500 (38.1)	2.363 (60.0)	1.000 (25.4)	1.375 (34.9)	24
68	32	1	4.062 (103.2)	1.500 (38.1)	2.363 (60.0)	1.000 (25.4)	1.375 (34.9)	24
69	32	1	3.062 (77.8)	1.781 (45.2)	2.770 (70.4)	1.250 (31.8)	1.625 (41.3)	28
70	32	1	4.062 (103.2)	1.781 (45.2)	2.770 (70.4)	1.250 (31.8)	1.625 (41.3)	28
71	36	1	4.062 (103.2)	1.375 (34.9)	2.113 (53.7)	.875 (22.2)	1.250 (31.8)	20
72	36	1	5.062 (128.6)	1.375 (34.9)	2.113 (53.7)	.875 (22.2)	1.250 (31.8)	20
73	36	1	4.062 (103.2)	1.500 (38.1)	2.363 (60.0)	1.000 (25.4)	1.375 (34.9)	24
74	36	1	5.062 (128.6)	1.500 (38.1)	2.363 (60.0)	1.000 (25.4)	1.375 (34.9)	24
75	36	1	4.062 (103.2)	1.781 (45.2)	2.770 (70.4)	1.250 (31.8)	1.625 (41.3)	28
76	36	1	5.062 (128.6)	1.781 (45.2)	2.770 (70.4)	1.250 (31.8)	1.625 (41.3)	28
77	36	2	4.942 (125.5)	1.830 (46.5)	3.020 (76.7)	1.437 (36.5)	1.875 (47.6)	32
78	36	2	5.942 (150.9)	1.830 (46.5)	3.020 (76.7)	1.437 (36.5)	1.875 (47.6)	32
79	40	1	4.062 (103.2)	1.375 (34.9)	2.113 (53.7)	.875 (22.2)	1.250 (31.8)	20
80	40	1	5.062 (128.6)	1.375 (34.9)	2.113 (53.7)	.875 (22.2)	1.250 (31.8)	20
81	40	1	4.062 (103.2)	1.500 (38.1)	2.363 (60.0)	1.000 (25.4)	1.375 (34.9)	24
82	40	1	5.062 (128.6)	1.500 (38.1)	2.363 (60.0)	1.000 (25.4)	1.375 (34.9)	24
83	40	1	4.062 (103.2)	1.781 (45.2)	2.770 (70.4)	1.250 (31.8)	1.625 (41.3)	28
84	40	1	5.062 (128.6)	1.781 (45.2)	2.770 (70.4)	1.250 (31.8)	1.625 (41.3)	28
85	40	1	4.062 (103.2)	1.830 (46.5)	3.020 (76.7)	1.437 (36.5)	1.875 (47.6)	32
86	40	1	5.062 (128.6)	1.830 (46.5)	3.020 (76.7)	1.437 (36.5)	1.875 (47.6)	32
87	44	1	4.062 (103.2)	1.375 (34.9)	2.113 (53.7)	.875 (22.2)	1.250 (31.8)	20
88	44	1	5.062 (128.6)	1.375 (34.9)	2.113 (53.7)	.875 (22.2)	1.250 (31.8)	20
89	44	1	4.062 (103.2)	1.500 (38.1)	2.363 (60.0)	1.000 (25.4)	1.375 (34.9)	24
90	44	1	5.062 (128.6)	1.500 (38.1)	2.363 (60.0)	1.000 (25.4)	1.375 (34.9)	24
91	44	1	4.062 (103.2)	1.781 (45.2)	2.770 (70.4)	1.250 (31.8)	1.625 (41.3)	28
92	44	1	5.062 (128.6)	1.781 (45.2)	2.770 (70.4)	1.250 (31.8)	1.625 (41.3)	28
93	44	1	4.062 (103.2)	1.830 (46.5)	3.020 (76.7)	1.437 (36.5)	1.875 (47.6)	32
94	44	1	5.062 (128.6)	1.830 (46.5)	3.020 (76.7)	1.437 (36.5)	1.875 (47.6)	32
95	48	1	4.062 (103.2)	1.375 (34.9)	2.113 (53.7)	.875 (22.2)	1.250 (31.8)	20
96	48	1	5.062 (128.6)	1.375 (34.9)	2.113 (53.7)	.875 (22.2)	1.250 (31.8)	20
97	48	1	4.062 (103.2)	1.500 (38.1)	2.363 (60.0)	1.000 (25.4)	1.375 (34.9)	24
98	48	1	5.062 (128.6)	1.500 (38.1)	2.363 (60.0)	1.000 (25.4)	1.375 (34.9)	24
99	48	1	4.062 (103.2)	1.781 (45.2)	2.770 (70.4)	1.250 (31.8)	1.625 (41.3)	28
100	48	1	5.062 (128.6)	1.781 (45.2)	2.770 (70.4)	1.250 (31.8)	1.625 (41.3)	28
101	48	1	4.062 (103.2)	1.830 (46.5)	3.020 (76.7)	1.437 (36.5)	1.875 (47.6)	32
102	48	1	5.062 (128.6)	1.830 (46.5)	3.020 (76.7)	1.437 (36.5)	1.875 (47.6)	32
103	61	1	3.062 (77.8)	1.059 (26.9)	1.551 (39.4)	.500 (12.7)	.750 (19.1)	12
104	61	1	4.062 (103.2)	1.059 (26.9)	1.551 (39.4)	.500 (12.7)	.750 (19.1)	12

Table I Continued on Page 38-13

AS85049/25 and MS3437C EMI/RFI Non-Environmental Backshells



EMI/RFI
Non-Env.
Backshells

TABLE II (Continued From Page 38-12)

Dash No.	Shell Size	Style	E		K		L		Cable Range			M85049/42	
			Max	()	Ref.	()	Max	()	Min	()	Max	()	Ref
105	61	1	3.062	(77.8)	1.156	(29.4)	1.770	(45.0)	.625	(15.9)	.937	(23.8)	16
106	61	1	4.062	(103.2)	1.156	(29.4)	1.770	(45.0)	.625	(15.9)	.937	(23.8)	16
107	61	2	3.812	(96.8)	1.375	(34.9)	2.113	(53.7)	.875	(22.2)	1.250	(31.8)	20
108	61	2	4.812	(122.2)	1.375	(34.9)	2.113	(53.7)	.875	(22.2)	1.250	(31.8)	20
109	61	2	3.812	(96.8)	1.500	(38.1)	2.363	(60.0)	1.000	(25.4)	1.375	(34.9)	24
110	61	2	4.812	(122.2)	1.500	(38.1)	2.363	(60.0)	1.000	(25.4)	1.375	(34.9)	24
111	12	1	2.062	(52.4)	1.027	(26.1)	1.332	(33.8)	.350	(8.9)	.500	(12.7)	10
112	16	1	2.062	(52.4)	1.027	(26.1)	1.145	(29.1)	.250	(6.4)	.437	(11.1)	06
113	16	1	3.062	(77.8)	1.027	(26.1)	1.145	(29.1)	.250	(6.4)	.437	(11.1)	06
114	12	1	2.062	(52.4)	1.027	(26.1)	.957	(24.3)	.125	(3.2)	.312	(7.9)	04
115	12	1	3.062	(77.8)	1.027	(26.1)	.957	(24.3)	.125	(3.2)	.312	(7.9)	04
116	14	1	2.062	(52.4)	1.027	(26.1)	1.145	(29.1)	.250	(6.4)	.437	(11.1)	06
117	14	1	3.062	(77.8)	1.027	(26.1)	1.145	(29.1)	.250	(6.4)	.437	(11.1)	06
118	16	1	2.062	(52.4)	1.027	(26.1)	1.332	(33.8)	.350	(8.9)	.625	(15.9)	10
119	16	1	3.062	(77.8)	1.027	(26.1)	1.332	(33.8)	.350	(8.9)	.625	(15.9)	10
120	18	1	2.062	(52.4)	1.027	(26.1)	.957	(24.3)	.125	(3.2)	.312	(7.9)	04
121	18	1	3.062	(77.8)	1.027	(26.1)	.957	(24.3)	.125	(3.2)	.312	(7.9)	04
122	18	1	2.062	(52.4)	1.027	(26.1)	1.145	(29.1)	.250	(6.4)	.437	(11.1)	06
123	18	1	3.062	(77.8)	1.027	(26.1)	1.145	(29.1)	.250	(6.4)	.437	(11.1)	06
124	20	1	3.062	(77.8)	1.027	(26.1)	1.145	(29.1)	.250	(6.4)	.437	(11.1)	06
125	20	1	4.062	(103.2)	1.027	(26.1)	1.145	(29.1)	.250	(6.4)	.437	(11.1)	06
126	22	1	3.062	(77.8)	1.027	(26.1)	.957	(24.3)	.125	(3.2)	.312	(7.9)	04
127	22	1	4.062	(103.2)	1.027	(26.1)	.957	(24.3)	.125	(3.2)	.312	(7.9)	04
128	22	1	3.062	(77.8)	1.027	(26.1)	1.145	(29.1)	.250	(6.4)	.437	(11.1)	0
129	22	1	4.062	(103.2)	1.027	(26.1)	1.145	(29.1)	.250	(6.4)	.437	(11.1)	06
130	24	1	3.062	(77.8)	1.027	(26.1)	1.332	(33.8)	.350	(8.9)	.625	(15.9)	10
131	24	1	4.062	(103.2)	1.027	(26.1)	1.332	(33.8)	.350	(8.9)	.625	(15.9)	10
132	36	1	4.062	(103.2)	1.059	(26.9)	1.551	(39.4)	.500	(12.7)	.750	(19.1)	12
133	36	1	5.062	(128.6)	1.059	(26.9)	1.551	(39.4)	.500	(12.7)	.750	(19.1)	12
134	40	1	4.062	(103.2)	1.059	(26.9)	1.551	(39.4)	.500	(12.7)	.750	(19.1)	12
135	40	1	5.062	(128.6)	1.059	(26.9)	1.551	(39.4)	.500	(12.7)	.750	(19.1)	12
136	10	1	2.062	(52.4)	1.027	(26.1)	1.145	(29.1)	.250	(6.4)	.375	(9.5)	06
137	10	1	3.062	(77.8)	1.027	(26.1)	1.145	(29.1)	.250	(6.4)	.375	(9.5)	06
138	12	1	2.062	(52.4)	1.027	(26.1)	1.332	(33.8)	.350	(8.9)	.500	(12.7)	10
139	12	1	3.062	(77.8)	1.027	(26.1)	1.332	(33.8)	.350	(8.9)	.500	(12.7)	10
140	20	1	3.062	(77.8)	1.156	(29.4)	1.770	(45.0)	.625	(15.9)	.904	(23.0)	16
141	20	1	4.062	(103.2)	1.156	(29.4)	1.770	(45.0)	.625	(15.9)	.904	(23.0)	16
142	22	1	3.062	(77.8)	1.375	(34.9)	2.113	(53.7)	.875	(22.2)	1.029	(26.1)	20
143	22	1	4.062	(103.2)	1.375	(34.9)	2.113	(53.7)	.875	(22.2)	1.029	(26.1)	20
144	24	1	3.062	(77.8)	1.375	(34.9)	2.113	(53.7)	.875	(22.2)	1.144	(29.1)	20
145	24	1	4.062	(103.2)	1.375	(34.9)	2.113	(53.7)	.875	(22.2)	1.144	(29.1)	20
146	36	1	4.062	(103.2)	1.830	(46.5)	3.020	(76.7)	1.437	(36.5)	1.840	(46.7)	32
147	36	1	5.062	(128.6)	1.830	(46.5)	3.020	(76.7)	1.437	(36.5)	1.840	(46.7)	32
148	36	1	4.062	(103.2)	1.156	(29.4)	1.770	(45.0)	.625	(15.9)	.937	(23.8)	16
149	36	1	5.062	(128.6)	1.156	(29.4)	1.770	(45.0)	.625	(15.9)	.937	(23.8)	16
150	14	1	2.062	(52.4)	1.027	(26.1)	.957	(24.3)	.125	(3.2)	.312	(7.9)	04
151	14	1	3.062	(77.8)	1.027	(26.1)	.957	(24.3)	.125	(3.2)	.312	(7.9)	04
152	16	1	2.062	(52.4)	1.027	(26.1)	.957	(24.3)	.125	(3.2)	.312	(7.9)	04
153	16	1	3.062	(77.8)	1.027	(26.1)	.957	(24.3)	.125	(3.2)	.312	(7.9)	04
154	44	1	4.062	(103.2)	1.156	(29.4)	1.770	(45.0)	.625	(15.9)	.937	(23.8)	16
155	44	1	5.062	(128.6)	1.156	(29.4)	1.770	(45.0)	.625	(15.9)	.937	(23.8)	16
156	40	1	4.062	(103.2)	1.156	(29.4)	1.770	(45.0)	.625	(15.9)	.937	(23.8)	16
157	40	1	5.062	(128.6)	1.156	(29.4)	1.770	(45.0)	.625	(15.9)	.937	(23.8)	16