

4

3

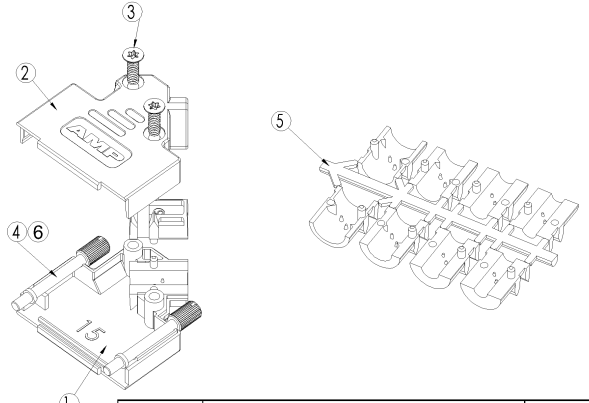
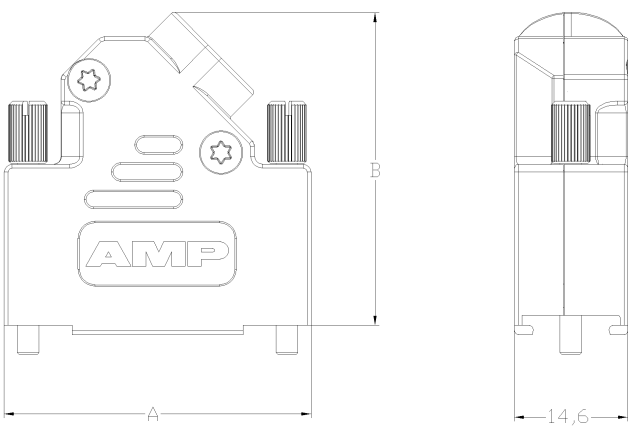
2

1

THIS DRAWING IS UNPUBLISHED. RELEASED FOR PUBLICATION 27-02-02

© COPYRIGHT 2002 BY TYCO ELECTRONICS CORPORATION. ALL RIGHTS RESERVED.

LOC	DIST	REVISIONS					
		P	LTR	DESCRIPTION	DATE	DWN	APVD
E	B	D		EBD0-0215-04	22-06-04	AM	FWK
		E		EBD0-0435-04	19-11-04	AM	FWK
		F		ECR-05-012541	06/10/05	AM	FWK



1	METAL BACKSHELL 37 WAY TOP ENTRY	5-1478763-4
1	METAL BACKSHELL 25 WAY TOP ENTRY	5-1478763-3
1	METAL BACKSHELL 15 WAY TOP ENTRY	5-1478763-2
1	METAL BACKSHELL 9 WAY TOP ENTRY	5-1478763-1
KITS/BAG		
100	METAL BACKSHELL 37 WAY TOP ENTRY	4-1478763-8
100	METAL BACKSHELL 25 WAY TOP ENTRY	4-1478763-7
100	METAL BACKSHELL 15 WAY TOP ENTRY	4-1478763-6
100	METAL BACKSHELL 9 WAY TOP ENTRY	4-1478763-5
100	METAL BACKSHELL 37 WAY TOP ENTRY	3-1478763-7
100	METAL BACKSHELL 25 WAY TOP ENTRY	2-1478763-5
100	METAL BACKSHELL 15 WAY TOP ENTRY	1-1478763-5
100	METAL BACKSHELL 9 WAY TOP ENTRY	0-1478763-9
COMPONENTS /BAG	DESCRIPTION	PART NUMBER

PART NUMBER	A'	B'	ITEM	QTY	BACKSHELL	BACKSHELL	FIXING SCREW	TORQUE DRIVE	JACKSCREW	STRAIN RELIEF	JACKSCREW
					BOTTOM	TOP	TYPE -	M3	SET	4-40	
4-1478763-8	69.7	40.2			1	1	2	2	1	-	
4-1478763-7	53.2	40.2			1	1	2	2	1	-	
4-1478763-6	39.5	40.2			1	1	2	2	1	-	
4-1478763-5	31	36.2			1	1	2	1	1	-	
5-1478763-4 and 3-1478763-7	69.7	40.2			1	1	2	-	1	2	
5-1478763-3 and 2-1478763-5	53.2	40.2			1	1	2	-	1	2	
5-1478763-2 and 1-1478763-5	39.5	40.2			1	1	2	-	1	2	
5-1478763-1 and 0-1478763-9	31	36.2			1	1	2	-	1	1	
PART NUMBER	A'	B'	ITEM		1'	2'	3'	4'	5'	6'	

1. FOR ASSEMBLY DETAILS REFER TO LEAFLET 0-1478530-1. 1-PER BOX OF 100 PARTS

THIS DRAWING IS A CONTROLLED DOCUMENT.

DIMENSIONS:	TOLERANCES UNLESS OTHERWISE SPECIFIED:
MM	
0 PLC	±
1 PLC	±
2 PLC	±
3 PLC	±
4 PLC	±
ANGLES	±
FINISH	
MATERIAL	

DWN	A BEKEN	27-02-02
CHK	R.G	27-02-02
APVD	F W-KING	27-02-02
PRODUCT SPEC		
APPLICATION SPEC		
WEIGHT		
CUSTOMER DRAWING		

tyco
Electronics

Tyco Electronics Corporation
Stanmore, Middlesex, HA7 4RS

NAME: ADK SERIES DIE-CAST BACKSHELL 45 DEGREE ENTRY

SIZE: A3 CAGE CODE: 00779 DRAWING NO: 1478763 RESTRICTED TO: -

SCALE: 1:1 SHEET: 1 OF 1 REV: F