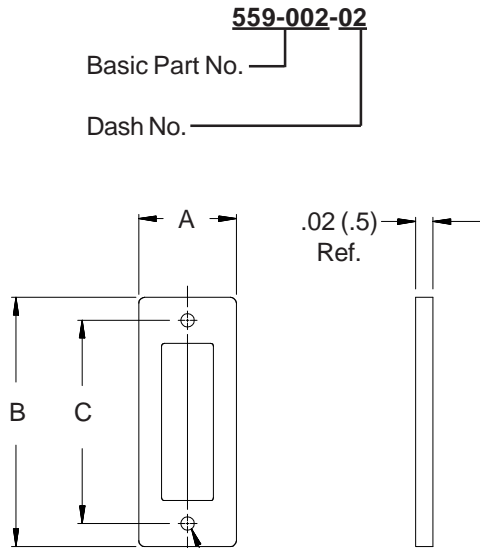


**559-002 and 507-120**  
**EMI/Environmental Gaskets**  
**for D-Subminiature Backshells**



MIL-C-24308  
D-Subminiature

**EMI GASKET, CONDUCTIVE**



**559-002-02**

Basic Part No.

Dash No.

Dash No.	To Fit Shell Size	A Ref	B Ref	C Ref
01	E/09	.740 (18.8)	1.500 (38.1)	.980 (24.9)
02	A/15	.740 (18.8)	1.810 (46.0)	1.310 (33.3)
03	B/25	.740 (18.8)	2.380 (60.5)	1.850 (47.0)
04	C/37	.740 (18.8)	3.010 (76.5)	2.500 (63.5)
05	D/50	.850 (21.6)	2.920 (74.2)	2.410 (61.2)
06	F/104	.925 (23.5)	3.010 (76.4)	2.500 (63.5)

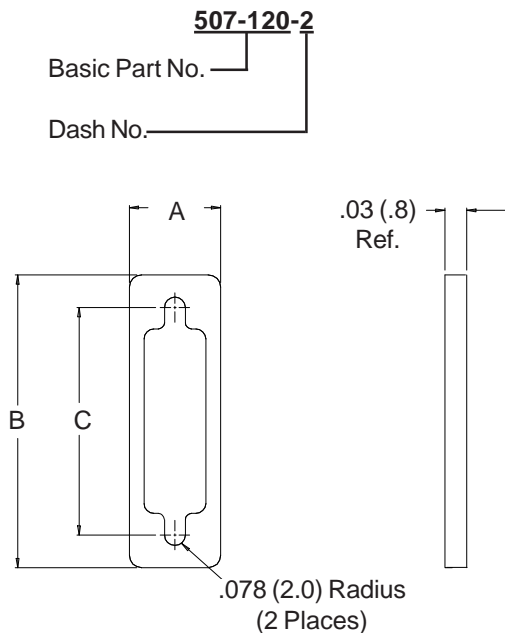
**NOTE: MAY BE ORDERED WITH EMI BACKSHELLS**

1. Metric dimensions (mm) are indicated in parentheses.
2. Material: Metalastic.

Dash No. 01 to 07: Clearance Hole for #2-56 UNC (2 Places)

Dash No. 08: Clearance Hole for #4-40 UNC (2 Places)

**ENVIRONMENTAL GASKET, NON-CONDUCTIVE**



**507-120-2**

Basic Part No.

Dash No.

Dash No.	To Fit Shell Size	A Ref	B Ref	C Ref
01	E/09	.740 (18.8)	1.500 (38.1)	.980 (24.9)
02	A/15	.740 (18.8)	1.810 (46.0)	1.310 (33.3)
03	B/25	.740 (18.8)	2.380 (60.5)	1.850 (47.0)
04	C/37	.740 (18.8)	3.010 (76.5)	2.500 (63.5)
05	D/50	.850 (21.6)	2.920 (74.2)	2.410 (61.2)
06	F/104	.925 (23.5)	3.010 (76.4)	2.500 (63.5)

1. Metric dimensions (mm) are indicated in parentheses.
2. Material: Silicone