

## Features

- High Performance Series 3/8" Square / Multiturn / Cermet / Industrial / Sealed
- Thin body profile
- Sealed to withstand board washing processes
- Low current applications <50  $\mu$ A
- Mounting hardware available



Model 3296-LC2 is obsolete and not recommended for new designs.  
Model 3296 is preferred.

## 3296-LC2 - 3/8" Square Trimpot® Trimming Potentiometer

### Electrical Characteristics

Standard Resistance Range  
..... 500 ohms to 100K ohms  
(see standard resistance table)  
Resistance Tolerance .....  $\pm 10$  % std.  
Absolute Minimum Resistance  
..... 2 ohms or 1 % max.  
(whichever is greater)  
Contact Resistance Variation  
..... 0.5 % max.  
Contact Resistance (D.C. mode)  
..... 0.3 % max.  
D.C. Offset ..... 0.5 % max.  
Adjustability  
Voltage .....  $\pm 0.1$  %  
Resistance .....  $\pm 0.2$  %  
Insulation Resistance ..... 500 vdc.  
1,000 megohms min.  
Dielectric Strength  
Sea Level ..... 900 vac  
70,000 feet ..... 350 vac  
Adjustment Angle, Electrical  
.....  $25 \pm 5$  turns

### Environmental Characteristics

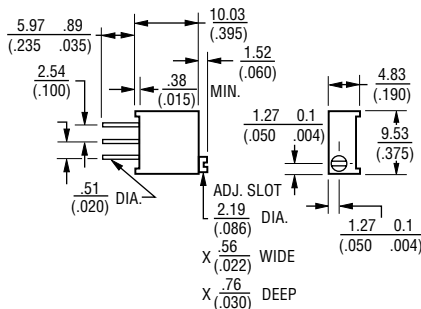
Power Rating (400 volts max.)  
85 °C ..... 0.5 watt  
125 °C ..... 0 watt  
Temperature Range ... -55 °C to +125 °C  
Temperature Coefficient ...  $\pm 100$  ppm/°C  
Humidity ..... 80-90 %, RH, 10 cycles  
2 % max. TRS, IR 10 megohms  
0.2 % max. contact resistance shift  
Seal Test ..... 85 °C Flourinert†  
Vibration ..... 20 G - 0.5 % VRS  
0.2 % contact resistance shift  
Shock ..... 100 G - 0.5 % VRS  
0.2 % contact resistance shift  
Load Life @ 85 °C Rated Power  
..... 1,000 hours 3 % TRS,  
0.2 % contact resistance  
shift - 0.5 % CRV  
Rotational Life ..... 200 cycles, 4 % TRS  
0.2 % contact resistance shift  
Thermal Shock ..... 5 cycles  
2 % TRS, 0.5 % VRS  
0.2 % contact resistance shift

### Physical Characteristics

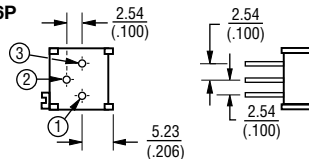
Torque ..... 3.0 oz-in. max.  
Mechanical Stops ..... Wiper idles  
Terminals ..... Solderable PC pins  
Weight ..... 0.03 oz.  
Marking ..... Manufacturer's trademark,  
resistance code and date code  
Wiper ..... 50 %  $\pm 10$  %  
Flammability ..... U.L. 94V-0  
Standard Packaging ..... 50 pcs. per tube  
Adjustment Tool ..... H-90

### Product Dimensions

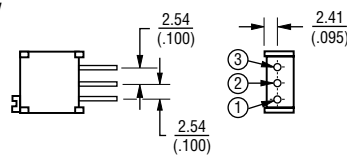
#### Common Dimensions



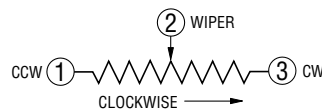
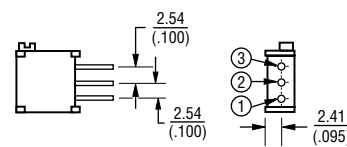
#### 3296P



#### 3296W



#### 3296X



DIMENSIONS:  $\frac{\text{MM}}{\text{(INCHES)}}$

TOLERANCES:  $\pm \frac{0.25}{(.010)}$  EXCEPT WHERE NOTED

### Standard Resistance Table

| Resistance (Ohms) | Resistance Code |
|-------------------|-----------------|
| 500               | 501             |
| 1,000             | 102             |
| 2,000             | 202             |
| 5,000             | 502             |
| 10,000            | 103             |
| 20,000            | 203             |
| 25,000            | 253             |
| 50,000            | 503             |
| 100,000           | 104             |

Shaded areas typically not stocked by distributors and not recommended for new designs.

### How To Order

**3296 W - LC2 - 103 LF**

Model \_\_\_\_\_  
Style \_\_\_\_\_  
Product Indicator \_\_\_\_\_  
Resistance Code \_\_\_\_\_  
Terminations \_\_\_\_\_  
LF = 100 % Tin-plated (RoHS compliant)  
Blank = 90 % Tin / 10 % Lead-plated  
(Standard)  
Consult factory for other available options.

REV. 03/10

\*RoHS Directive 2002/95/EC Jan 27 2003 including Annex.  
"Trimpot" is a registered trademark of Bourns, Inc.  
†"Fluorinert" is a registered trademark of 3M Co.  
Specifications are subject to change without notice.

Customers should verify actual device performance in their specific applications.