

Features

- High Performance Series 3/8" Square / Multiturn / Cermet / Industrial / Sealed
- Thin body profile
- Sealed to withstand board washing processes
- Low current applications <math>< 50 \mu A</math>
- Mounting hardware available



Model 3296-LC2 is obsolete and not recommended for new designs. Model 3296 is preferred.

3296-LC2 - 3/8" Square Trimpot® Trimming Potentiometer

Electrical Characteristics

Standard Resistance Range 500 ohms to 100K ohms
 (see standard resistance table)
 Resistance Tolerance $\pm 10\%$ std.
 Absolute Minimum Resistance 2 ohms or 1% max.
 (whichever is greater)
 Contact Resistance Variation 0.5% max.
 Contact Resistance (D.C. mode) 0.3% max.
 D.C. Offset 0.5% max.
 Adjustability
 Voltage $\pm 0.1\%$
 Resistance $\pm 0.2\%$
 Insulation Resistance 500 vdc.
 1,000 megohms min.
 Dielectric Strength
 Sea Level 900 vac
 70,000 feet 350 vac
 Adjustment Angle, Electrical
 25 ± 5 turns

Environmental Characteristics

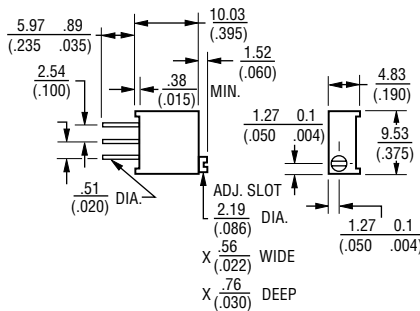
Power Rating (400 volts max.)
 85 °C 0.5 watt
 125 °C 0 watt
 Temperature Range ... -55 °C to +125 °C
 Temperature Coefficient ... ± 100 ppm/°C
 Humidity 80-90 %, RH, 10 cycles
 2% max. TRS, IR 10 megohms
 0.2% max. contact resistance shift
 Seal Test 85 °C Flourinert†
 Vibration 20 G - 0.5% VRS
 0.2% contact resistance shift
 Shock 100 G - 0.5% VRS
 0.2% contact resistance shift
 Load Life @ 85 °C Rated Power
 1,000 hours 3% TRS,
 0.2% contact resistance
 shift - 0.5% CRV
 Rotational Life 200 cycles, 4% TRS
 0.2% contact resistance shift
 Thermal Shock 5 cycles
 2% TRS, 0.5% VRS
 0.2% contact resistance shift

Physical Characteristics

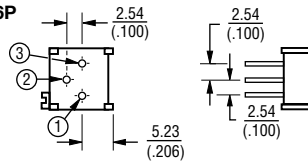
Torque 3.0 oz-in. max.
 Mechanical Stops Wiper idles
 Terminals Solderable PC pins
 Weight 0.03 oz.
 Marking Manufacturer's trademark,
 resistance code and date code
 Wiper 50% $\pm 10\%$
 Flammability U.L. 94V-0
 Standard Packaging 50 pcs. per tube
 Adjustment Tool H-90

Product Dimensions

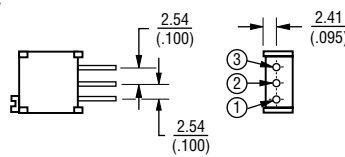
Common Dimensions



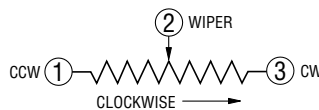
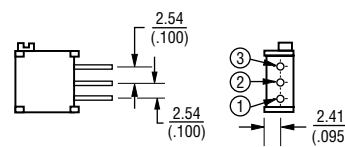
3296P



3296W



3296X



DIMENSIONS: $\frac{\text{MM}}{\text{(INCHES)}}$
 TOLERANCES: $\pm \frac{0.25}{(.010)}$ EXCEPT WHERE NOTED

Standard Resistance Table

| Resistance (Ohms) | Resistance Code |
|-------------------|-----------------|
| 500 | 501 |
| 1,000 | 102 |
| 2,000 | 202 |
| 5,000 | 502 |
| 10,000 | 103 |
| 20,000 | 203 |
| 25,000 | 253 |
| 50,000 | 503 |
| 100,000 | 104 |

Shaded areas typically not stocked by distributors and not recommended for new designs.

How To Order

3296 W - LC2 - 103 LF

Model _____
 Style _____
 Product Indicator _____
 Resistance Code _____
 Terminations
 LF = 100% Tin-plated (RoHS compliant)
 Blank = 90% Tin / 10% Lead-plated (Standard)
 Consult factory for other available options.

REV. 03/10

*RoHS Directive 2002/95/EC Jan 27 2003 including Annex.
 "Trimpot" is a registered trademark of Bourns, Inc.
 †"Fluorinert" is a registered trademark of 3M Co.
 Specifications are subject to change without notice.

Customers should verify actual device performance in their specific applications.