

Wall-Mountable Connector Housings (WCH)

A LANscape® Solutions Product

Corning
Cable Systems

Applications

Corning Cable Systems Wall-Mountable Connector Housings provide interconnect or cross-connect capabilities between the outside plant, riser or distribution cables and the opto-electronics.

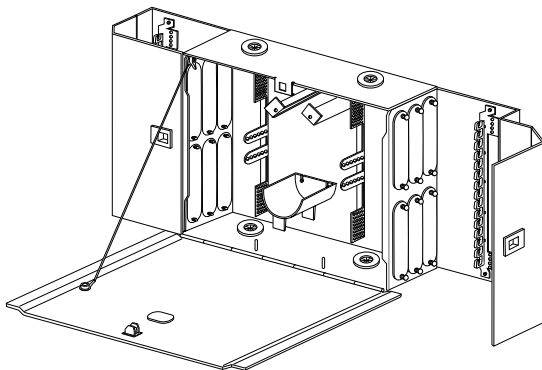
Description

The units can be wall-mounted in main cross-connects (MCs) or telecommunication rooms (TRs), and are available in different versions: two panels, four panels, six panels and 12 panels.

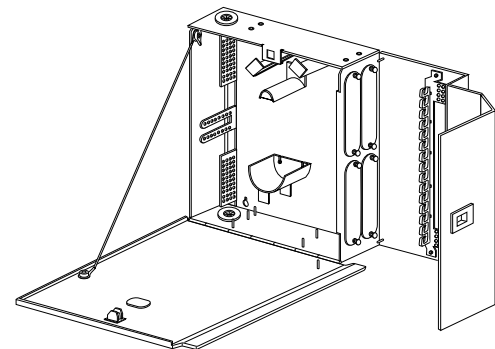
Optional products such as the wall-mountable jumper storage guide kit (WJG-02R) and cable strain-relief kit (WCH-STRNRLF-KIT) have been designed to make your wall-mountable product installation easier. The standoff bracket (WCH-STDOFF-BKT) is designed to extend the WCH housing from the wall so that cable can be routed behind the units. Brackets can be stacked to allow a larger amount of space behind.



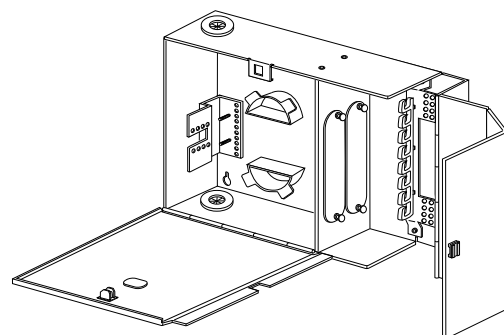
Wall-Mountable Connector Housings | Photo LAN703



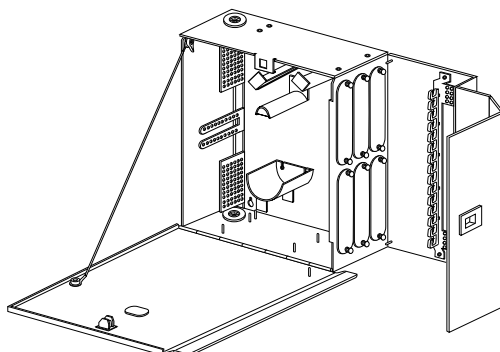
WCH-12P (up to 144 fibers) | Drawing CPC-220/5/31



WCH-04P (up to 48 fibers) | Drawing CPC-220/5/34



WCH-02P (up to 24 fibers) | Drawing CPC-220/5/35



WCH-06P (up to 72 fibers) | Drawing CPC-220/5/33



Product Specifications

Wall-Mountable Connector Housings (WCH)

A LANscape® Solutions Product

Corning
Cable Systems

Features / Benefits

- Optimized design for field connectorization
- Suitable for loose tube and tight-buffered fiber optic cables
- Metal cabinet construction
- Jumper routing guides and jumper strain-relief point
- Optional field-installable lock kit
- Includes bracket for buffer tube fan-out kits
- Optional splice tray holder allows easy cable routing and is designed to make field splicing easier; splice trays ordered separately
- Accepts standard CCH connector panels
- -04P, -06P and -12P housings have a durable, clear polycarbonate-tinted jumper door for easy viewing of jumper connections

Specifications

Part Number	Dimensions (Doors in Closed Position) (H x W x D) – cm (in)	Shipping Weight kg (lb)
WCH-12P	34.3 x 57.1 x 13.0 (13.5 x 22.5 x 5.125)	4.1 (9.0)
WCH-06P	34.3 x 40.8 x 13.0 (13.5 x 16.062 x 5.125)	3.3 (7.2)
WCH-04P	34.3 x 40.8 x 10.3 (13.5 x 16.062 x 4.062)	2.8 (6.2)
WCH-02P	23.5 x 33.2 x 8.2 (9.25 x 13.25 x 3.25)	2.5 (5.4)

Ordering Information

Part Number	Description
WCH-12P	Wall-Mountable Connector Housing that will accept up to 12 CCH panels; twelve 6-fiber panels = 72 fiber total capacity; twelve 8-fiber panels = 96 fiber total capacity; twelve 12-fiber panels = 144 fiber total capacity
WCH-06P	Wall-Mountable Connector Housing that will accept up to six CCH panels; six 6-fiber panels = 36 fiber total capacity; six 8-fiber panels = 48 fiber total capacity; six 12-fiber panels = 72 fiber total capacity
WCH-04P	Wall-Mountable Connector Housing that will accept up to four CCH panels; four 6-fiber panels = 24 fiber total capacity; four 8-fiber panels = 32 fiber total capacity; four 12-fiber panels = 48 fiber total capacity
WCH-02P	Wall-Mountable Connector Housing that will accept up to two CCH panels; two 6-fiber panels = 12 fiber total capacity; two 8-fiber panels = 16 fiber total capacity; two 12-fiber panels = 24 fiber total capacity



Wall-Mountable Connector Housings (WCH)

A LANscape® Solutions Product

Corning
Cable Systems

Ordering Information (continued)

Part Number	Description
Accessories	
WJG-02R	Wall-Mountable Jumper Storage Guides that provide jumper management; kit includes two routing guides and mounting screws
WCH-STDOFF-BKT	Wall-Mountable Connector Housing Wall Stand-off Brackets for -04P, -06P, -08P and -12P; brackets provide a 1-in spacing from wall
WCH-STDOFF-BKT-2P	Wall-Mountable Connector Housing Wall Stand-off Brackets for -02P; brackets provide a 1-in spacing from wall
BKT-ALL-R23-75	Universal Rack-Mount Bracket for 19-in or 23-in equipment racks; allows for rack-mounting of the wall-mountable units
WCH-STRNRLF-KIT	Optional External Cable Strain-Relief Kit that utilizes Corning Cable Systems' Universal Cable Clamp; includes bracket, mounting hardware, one strain-relief clamp and one multicable insert that will hold up to five cables less than 0.4 inches in diameter
WCH-DUST-CVR	Optional Dust Cover for -04P and -08P housing; covers jumper exits; includes two covers and mounting hardware
WCH-DUST-CVR-D	Optional Dust Cover for -06P and -12P housing; covers two jumper exits; includes two covers and mounting hardware; two kits required for -12P
WCH-LBL-KIT	Replacement Label Kit for WCH
HDWR-LOCK-KIT	Lock Kit for front door of housing; contains one lock with two keys
Optional Splice Tray Holders	
WCH-SPLC-12	Splice Tray Holder for WCH-12P; accommodates twelve 0.2-in-thick (Type 2R) or six 0.4-in-thick (Type 4R) reduced-length splice trays*
WCH-SPLC-4-8*	Splice Tray Holder for WCH-04P, WCH-06P and WCH-08P; accommodates eight 0.2-in-thick (Type 2R) or four 0.4-in-thick (Type 4R) reduced-length splice trays
WCH-SPLC-2P*	Splice Tray Holder for WCH-02P; accommodates two 0.2-in-thick (Type 2R) or one 0.4-in-thick (Type 4R) reduced-length splice trays
Slack Storage	
WCH-SSH-2*	Wall-Mountable Slack Storage Housing for WCH-02P; accommodates four 0.2-in-thick (Type 2R) or two 0.4-in-thick (Type 4R) reduced-length splice trays
WCH-SSH-4-12*	Wall-Mountable Slack Storage Housing for WCH-04P, WCH-06P, WCH-08P and WCH-12P; accommodates eight 0.2-in-thick (Type 2R and 2S) or four 0.4-in-thick (Type 4R and Type 4S) standard or reduced-length splice trays or four UST splice trays

*Splice trays ordered separately.

Connector Panels

Must be ordered separately



Wall-Mountable Connector Housings (WCH)

A LANscape® Solutions Product

Corning
Cable Systems

Corning Cable Systems LLC • PO Box 489 • Hickory, NC 28603-0489 USA

1-800-743-2675 • FAX: +1-828-901-5973 • International: +1-828-901-5000 • <http://www.corning.com/cablesystems>

Corning Cable Systems reserves the right to improve, enhance and modify the features and specifications of Corning Cable Systems products without prior notification. LANscape is a registered trademark of Corning Cable Systems Brands, Inc. Discovering Beyond Imagination is a trademark of Corning Incorporated. ST is a registered trademark of Lucent Technologies. All other trademarks are the properties of their respective owners. Corning Cable Systems is ISO 9001 certified. © 1999, 2005 Corning Cable Systems. All rights reserved. Published in the USA.

LAN-137-EN / June 2005 / pdf



CORNING
Discovering Beyond Imagination

LANscape®
Fiber Cabling Solutions for Premises Networks