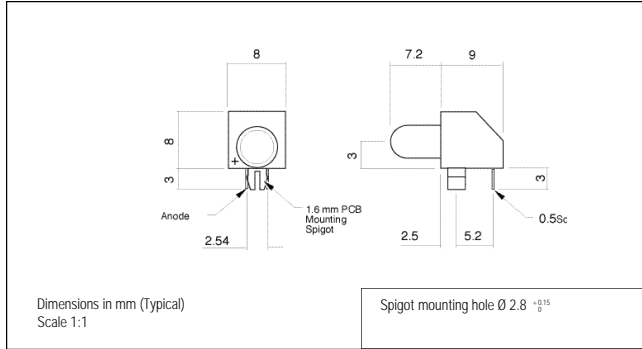


● PCB MOUNTING LEDs - Ø 5mm



- Secure anchorage to PCB enhances mechanical strength, resistance to vibration and shock
- Suitable for 1.6mm PCB thickness only



125 SERIES

MLQ = 100

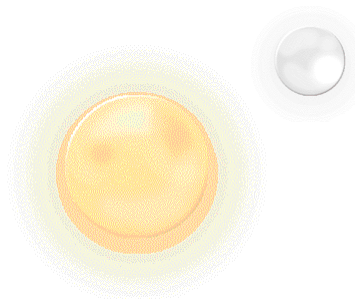


Ordering Information & Typical Technical Characteristics (Ta = 25°C)

Mean Time Between Failure = 100,000 Hours. Low Current Models 250,000 Hours. Luminous intensity figures refer to the unmodified discrete LED.

PART NUMBER	COLOUR	LENS	VOLTAGE DC Vopr	CURRENT DC Iopr	LUMINOUS INTENSITY Iv@20mA	WAVE LENGTH p	VIEWING ANGLE	OPERATING TEMP Topr	STORAGE TEMP Tstg
STANDARD INTENSITY									
125-505-01	Red	Coloured Diffused	2.0	2	80	625	Wide	-40 ~ +80	-40 ~ +80
125-511-01	Yellow		2.1	2	32	590			
125-514-01	Green		2.2	2	32	565			
125-505-04	Red		2.0*	20	80	625			
125-511-04	Yellow		2.1*	20	32	590			
125-514-04	Green		2.2*	20	32	565			
125-530-04	Red/Green	White Diffused	2.0/2.2*	20	30/20	625/565			
UNITS			Vdc	mA	mcd	nm		°C	°C

* = Voltage DC for 20mA product is Vf@20mA, not Vopr



● ISO 9001: 1994 APPROVED