

**CMXTC935A**  
**SURFACE MOUNT**  
**TEMPERATURE COMPENSATED**  
**SILICON ZENER DIODE**  
**±5% TOLERANCE**



[www.centrasemi.com](http://www.centrasemi.com)

**DESCRIPTION:**

The CENTRAL SEMICONDUCTOR CMXTC935A is a 9.0 Volt, temperature compensated Zener reference diode. This device is ideal for applications requiring long term voltage stability over the specified temperature range.

**For proper device operation, external connections must be made on the PCB. See the suggested mounting pad drawing on the following page.**

**MARKING CODE: C935**

**MAXIMUM RATINGS:** ( $T_A=25^\circ\text{C}$ )

Power Dissipation  
 Operating and Storage Junction Temperature

**SYMBOL**

$P_D$   
 $T_J, T_{stg}$

**UNITS**

350  
 -65 to +150

mW  
 $^\circ\text{C}$

**ELECTRICAL CHARACTERISTICS:** ( $T_A=25^\circ\text{C}$  unless otherwise noted)

SYMBOL	TEST CONDITIONS	MIN	NOM	MAX	UNITS
$V_Z$	$I_Z=7.5\text{mA}$	8.55	9.0	9.45	V
$Z_Z$	$I_Z=7.5\text{mA}$			30	$\Omega$
$\Delta V_Z^*$	$I_Z=7.5\text{mA}$			95	mV

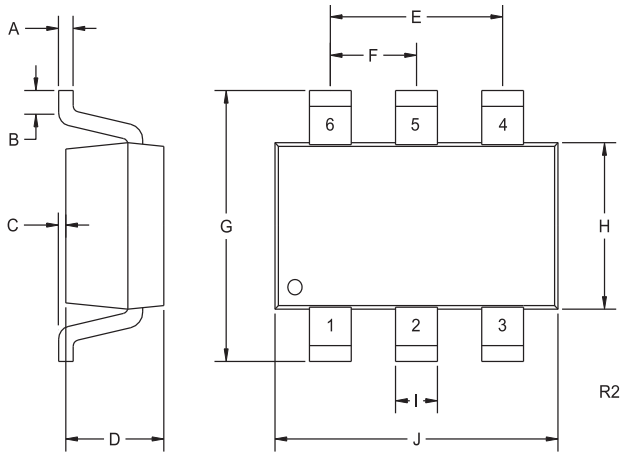
\* The Maximum allowable voltage change observed at the specified temperatures of -55 $^\circ\text{C}$ , 0 $^\circ\text{C}$ , 25 $^\circ\text{C}$ , 75 $^\circ\text{C}$ , and 100 $^\circ\text{C}$ .

R1 (12-February 2010)

**CMXTC935A**  
**SURFACE MOUNT**  
**TEMPERATURE COMPENSATED**  
**SILICON ZENER DIODE**  
**±5% TOLERANCE**



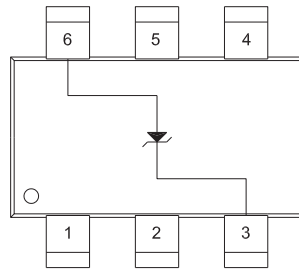
**SOT 26 CASE - MECHANICAL OUTLINE**



SYMBOL	DIMENSIONS			
	INCHES		MILLIMETERS	
	MIN	MAX	MIN	MAX
A	0.004	0.007	0.11	0.19
B	0.016	-	0.40	-
C	-	0.004	-	0.10
D	0.039	0.047	1.00	1.20
E	0.074	0.075	1.88	1.92
F	0.037	0.038	0.93	0.97
G	0.102	0.118	2.60	3.00
H	0.059	0.067	1.50	1.70
I	0.016		0.41	
J	0.110	0.118	2.80	3.00

SOT-26 (REV: R2)

**PIN CONFIGURATION**



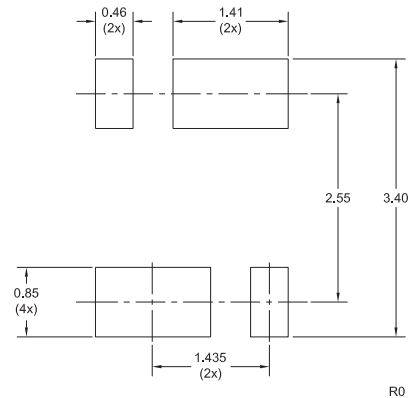
**LEAD CODE:**

- 1) Connect To Pin 2
- 2) Connect To Pin 1
- 3) Cathode
- 4) Connect To Pin 5
- 5) Connect To Pin 4
- 6) Anode

**MARKING CODE: C935**

**SUGGESTED MOUNTING PADS**

(Dimensions in mm)



R1 (12-February 2010)