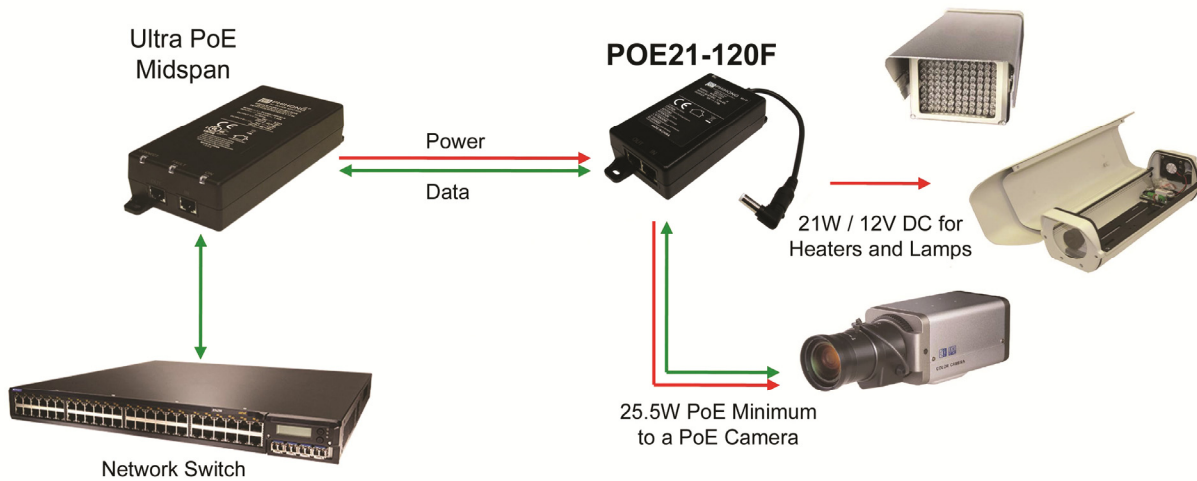




DC-DC Power over Ethernet Splitter 30W and 12VDC for Heaters, Illuminators and POE Cameras



Features

- IEEE802.3af Detection/Disconnection
- DC Good LED
- Non-Vented Case
- DC Power and PoE/Data Output
- Power IEEE802.3af Camera
- Full Protection OTP, OCP, OVP
- Gigabit Compatible
- 1 Year Warranty

Applications

- IP Cameras Heaters and Illuminators
- Access Controls

Safety Approvals

- CE

Mechanical Characteristics

- Length: 100mm (3.937in)
- Width: 56mm (2.205in)
- Height: 28mm (1.098in)
- Weight: 0.142Kg (0.313lb)

Output Specifications

Model	Output Power		PoE Load		DC Load	
	PoE	DC	Min	Max	Min	Max
POE21-120F*	25.5W at 42.5-57V DC	21W at 12V DC	15mA	600mA	0.0A	1.75A

*Model will not operate without Ultra PoE Power Injector or better

Phihong is not responsible for any error, and reserves the right to make changes without notice. Please visit our website at www.phihong.com for the most up-to-date specifications and contact information.

INPUT:

Unit receives power from Pihong Ultra PoE Midspans using Cat 5e or Cat 6 wiring up to 100 meters per IEEE802.3. For information on Ultra PoE Midspans please go to www.midspans.com

DC Input Current

0.7A (DC) and 45VDC at maximum load

DC Input Voltage Rating

45 – 57VDC for 12V
Pass through POE 42.5-7V

DC OUTPUT:

Regulation

Line and Load $\pm 2\%$

Ripple

120mV maximum at 25°C on 12V

Efficiency

80% minimum at maximum load 48Vinput

O/P Voltage Protection

In case of output over voltage overload, crowbar will short. The output can be shorted permanently without damage.

ENVIRONMENTAL:

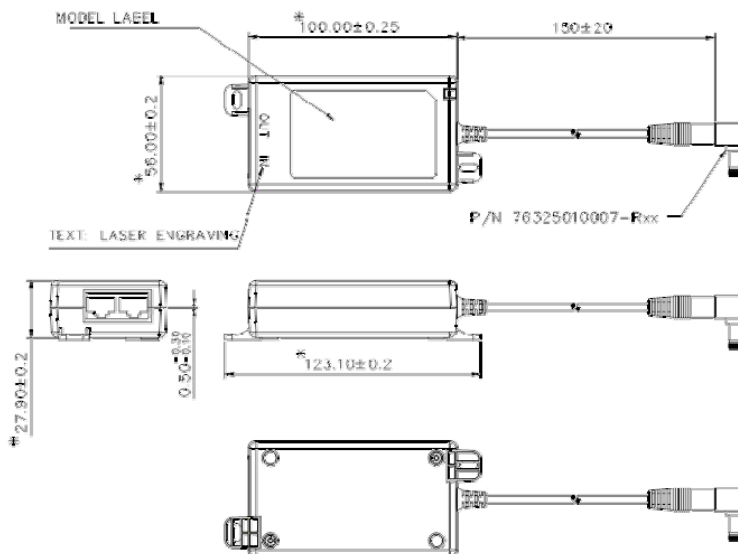
Temperature

Operation 0 to +40°C
Non-operation -20 to +65°C

Humidity

Operation 5 to 90%

Dimension Diagram Unit: mm



Immunity

ESD: EN61000-4-2. Level 3
RS: EN61000-4-3. Level 2

Note: RS and CS tested with POE60U

EMC

EN55022 Class A
FCC Part 15, Class A

Dielectric withstand (HI-POT) Test

Primary to secondary: 2121VDC for 1 minute, 10mA

Insulation Resistance

Primary to Secondary: >10M Ohm 500V DC

Indicators

GREEN LED – Output power “ON”

Cable

Designed to operate up to 100 meters per IEEE 802.3, CAT 5e or CAT6

Warranty

1 Year

Input and Output Data Connector

RJ45

Output Connector

POE and data RJ45 Jack

DC Output

Center Positive Barrel 12mm x 2.1mm ID x 5.5mm OD
Tip is user changeable for other sizes



