

VS-09-A-GC-ST/ST

Order No.: 1689705




<http://eshop.phoenixcontact.de/phoenix/treeViewClick.do?UID=1689705>

D-SUB panel mounting frame, shell size 1, with nine signal contacts, pin, gender changer, shielded, IP67 degree of protection



CANopen

Commercial data

GTIN (EAN)	 4 017918 929053
sales group	D504
Pack	5 pcs.
Customs tariff	85366990
Catalog page information	Page 265 (PC-2009)

Product notes

WEEE/RoHS-compliant since:
01/01/2006



<http://www.download.phoenixcontact.com>
Please note that the data given here has been taken from the online catalog. For comprehensive information and data, please refer to the user documentation. The General Terms and Conditions of Use apply to Internet downloads.

Technical data

Mechanical characteristics

Number of positions	9
Insertion/withdrawal cycles	≥ 200
Color	gray
Ambient temperature (operation)	-40 °C ... 80 °C

Material data

Inflammability class acc. to UL 94	V0
Housing material	PA
Contact carrier material	Polyester GF
Contact material	Copper alloy
Contact surface material	Hard gold-plated over nickel
Material	Plastic
Sealing material	Flat gasket: NBR; profile gasket: EPDM
Seal material	Flat gasket: NBR; profile gasket: EPDM
Degree of protection	IP67

Electrical characteristics

Rated voltage (III/3)	125 V
Rated current	5 A

Accessories

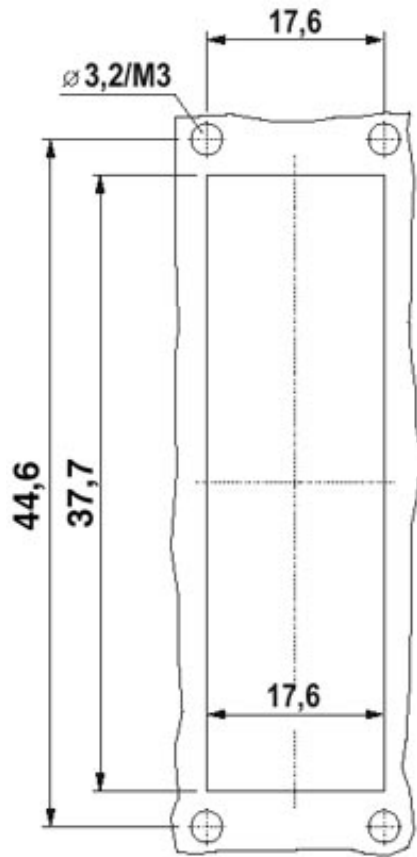
Item	Designation	Description
------	-------------	-------------

Protective covers

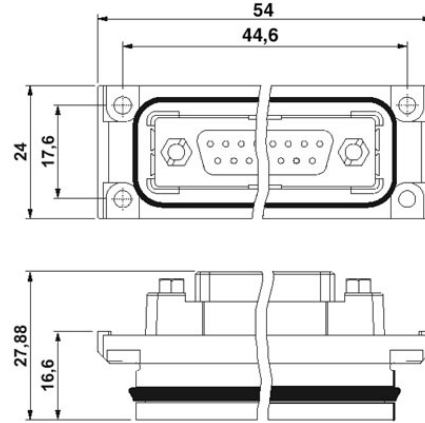
1887086	VS-09-SD	D-SUB protective cover, shell size 1, IP54 degree of protection, for panel mounting frame and sleeve housing VS-09-...
---------	----------	--

Diagrams/Drawings

Dimensioned drawing



Mounting cutout: VS-09-A...



D-SUB panel mounting frame

Address

PHOENIX CONTACT Deutschland GmbH
Flachsmarktstr. 8
32825 Blomberg, Germany
Phone +49 5235 3 12000
Fax +49 5235 3 41200
<http://www.phoenixcontact.de>



© 2011 Phoenix Contact
Technical modifications reserved;