

| APPLICABLE STANDARD | | USB3.0 SPECIFICATION AND MICRO-USB CABLE AND CONNECTORS SPECIFICATION. | | | |
|---------------------------------------------------------------------------------------------------------------------------------------------------------------------------------------------------------|---------------------------------------|------------------------------------------------------------------------|---------------------------|-----------------------------------|------------|
| RATING | OPERATING TEMPERATURE RANGE | -30°C TO +85°C | STORAGE TEMPERATURE RANGE | -30°C TO +60°C | |
| | VOLTAGE | - | OPERATING HUMIDITY RANGE | -% TO - % | |
| | CURRENT | - | APPLICABLE CABLE | OUTER DIAMETER OF CABLE : φ3.3 | |
| SPECIFICATIONS | | | | | |
| ITEM | TEST METHOD | REQUIREMENTS | QT | AT | |
| CONSTRUCTION | | | | | |
| GENERAL EXAMINATION | VISUALLY AND BY MEASURING INSTRUMENT. | ACCORDING TO DRAWING. | X | X | |
| MARKING | CONFIRMED VISUALLY. | | X | X | |
| | | | | | |
| | COUNT | DESCRIPTION OF REVISIONS | DESIGNED | CHECKED | DATE |
| | | | | | |
| REMARK | | | APPROVED | A0. SUZUKI | 09. 06. 16 |
| HIROSE will not guarantee the performance on these specifications In case this product will be mated with the others which is not HIROSE's. Unless otherwise specified, refer to USB2.0 or EIA 364 . | | | CHECKED | KN. ICHIKAWA | 09. 06. 16 |
| | | | DESIGNED | TS. SAKAIZAWA | 09. 06. 15 |
| | | | DRAWN | TS. SAKAIZAWA | 09. 06. 15 |
| Note QT:Qualification Test AT:Assurance Test X:Applicable Test | | | DRAWING NO. | ELC4-127030-00 | |
| | SPECIFICATION SHEET | | PART NO. | ZX360-B-SLDA | |
| | HIROSE ELECTRIC CO., LTD. | | CODE NO. | CL242-0502-7-00 | 1/1 |

FORM HD0011-2-1

Fig-1 DRAWING FOR PACKING (FREE)

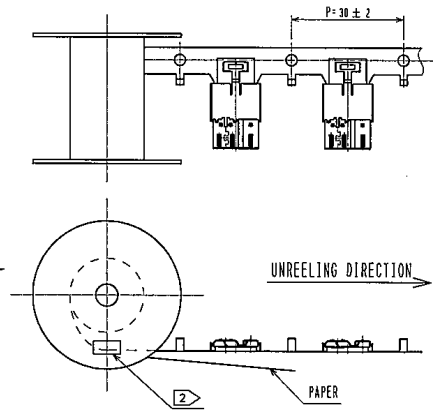
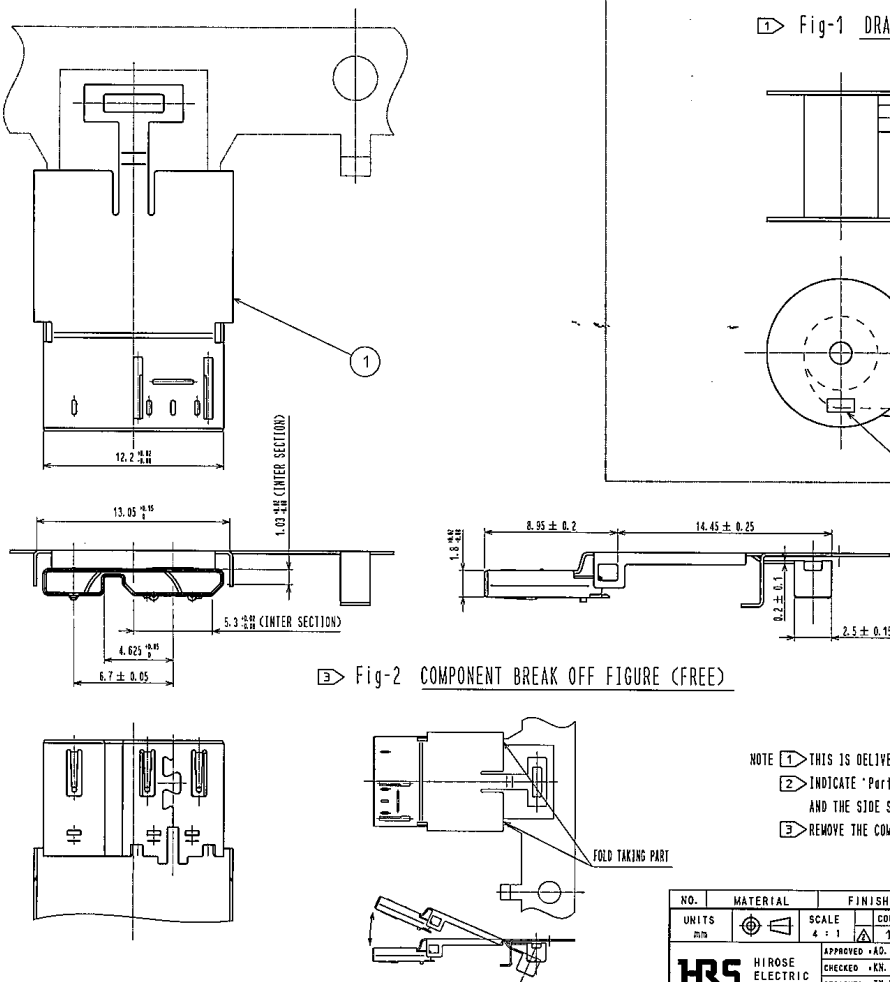


Fig-2 COMPONENT BREAK OFF FIGURE (FREE)



- NOTE
- 1 THIS IS DELIVERED BY A REEL. QTY : 2700 PCS. △△
 - 2 INDICATE "Part No.", "Cl No.", "Lot No.", AND QUANTITY ON BOTH REEL AND THE SIDE SURFACE OF THE SHIPPING OUTER BOX.
 - 3 REMOVE THE COMPONENT FROM THE CARRIER FOR USE AS SHOWN IN Fig. 2.

| | | | | | | | |
|----------|----------|---------------|---------|--------------------------|-----------------|----------------------------|----------|
| NO. | | 1 | | STAINLESS STEEL | | NICKEL PLATING 0.1μm min | |
| UNITS | MATERIAL | FINISH | REMARKS | NO. | MATERIAL | FINISH | REMARKS |
| mm | △ | △ | 1 | DIS-E-003420 | TF. HIGASHIYAMA | AO. SUZUKI | 10.05.08 |
| SCALE | | 4 : 1 | | DESCRIPTION OF REVISIONS | | DATE | |
| APPROVED | | +AO. SUZUKI | | 10.08.07 | | DRAWING NO. EDC3-127030-00 | |
| CHECKED | | +KN. ICHIKAWA | | 10.08.07 | | PART NO. ZX360-B-SLDA | |
| DESIGNED | | +TY. MIURA | | 10.08.05 | | CODE NO. CL242-0502-7-00 | |
| DRAWN | | +TY. MIURA | | 10.08.05 | | | |

HRS
HIROSE
ELECTRIC
CO., LTD.