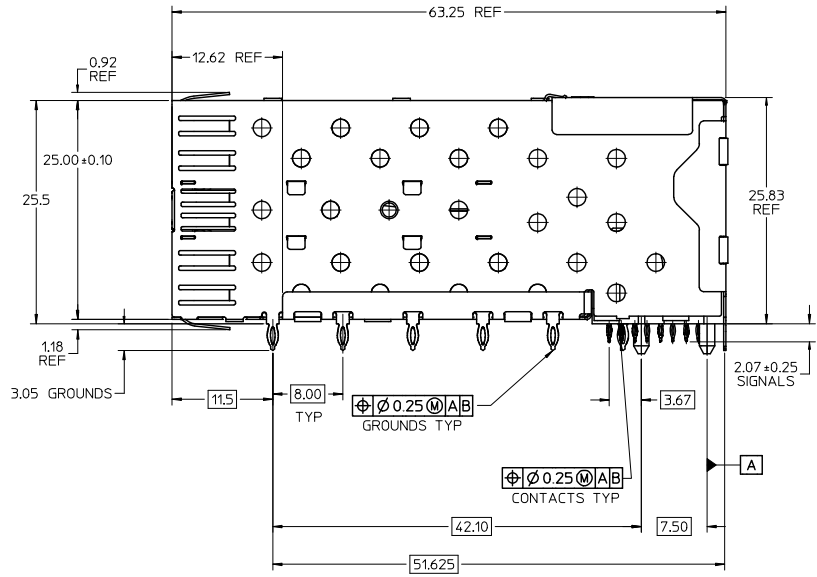
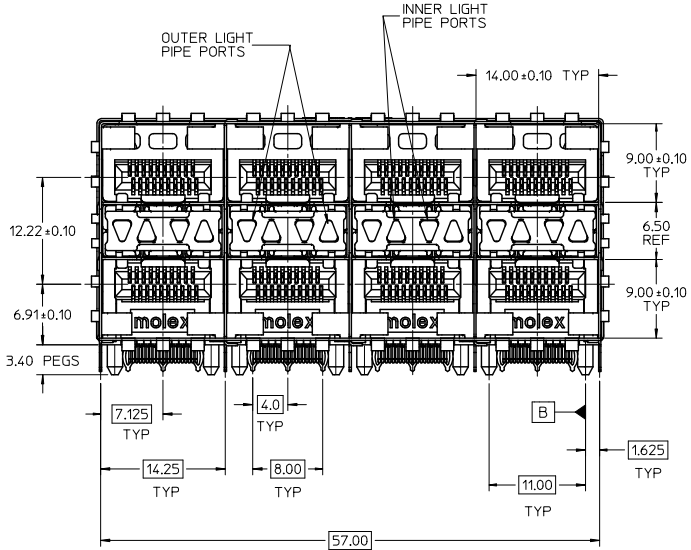


13 12 11 10 9 8 7 6 5 4 3 2 1



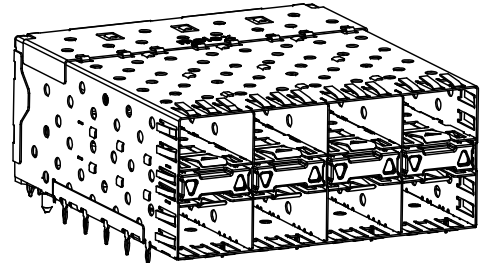
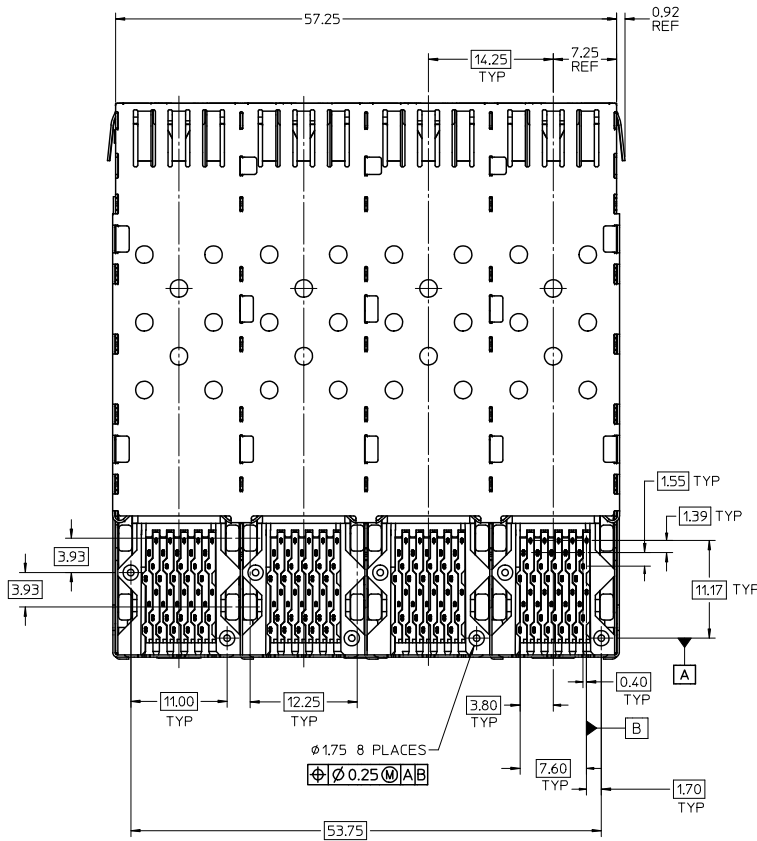
- NOTES:
- MATERIAL:
    - CAGE: NICKEL SILVER, THICKNESS: 0.25mm
    - CONNECTOR HOUSING: GLASS FILLED HIGH TEMP PLASTIC, 94 V-0, COLOR: BLACK
    - OVERMOLDED TERMINAL HOUSING: GLASS FILLED HIGH TEMP PLASTIC, 94 V-0, COLOR: BLACK
    - TERMINALS: TIN BRASS
    - LIGHT PIPES: POLYCARBONATE, 94 V-0, COLOR: CLEAR
    - LIGHT PIPE HOUSING: ZINC
  - FINISH:
    - CAGE ASSY: (ALTERNATE POST-PLATED) NICKEL (MATT) 2-5 MICROMETERS NICKEL OVER 2 MICROMETERS COPPER BASE.
    - LIGHT PIPE HOUSING: 150 MICROMETERS NICKEL OVER 150 MICROMETERS COPPER
    - TERMINALS: CONTACT AREA: 0.76 MICROMETERS MINIMUM HARD GOLD OVER 1.27 MICROMETERS NICKEL.
    - COMPLIANT TAIL - TIN/LEAD OPTION: 0.76 - 1.52 MICROMETERS 90/10 TIN/LEAD OVER 0.76 - 1.52 MICROMETERS NICKEL
    - COMPLIANT TAIL - TIN OPTION: 0.76 - 1.52 MICROMETERS TIN OVER 0.76 - 1.52 MICROMETERS NICKEL
  - REFER TO PS-75310-001 PRODUCT SPEC FOR ALL ELECTRICAL, MECHANICAL AND ENVIRONMENTAL SPECIFICATIONS.
  - LIGHT PIPE PAD LAYOUT IS FOR 0805 LOW-PROFILE LED PACKAGE, FOR OTHER RECOMMENDED LAYOUTS REFER TO MOLEX'S REPORT TS-75310-001.
  - REFER TO PK-75450-001 FOR ALL PACKAGING SPECIFICATIONS.
  - THE CURVED TAILS THAT GO INTO THE HOLES LOCATED BY THESE DIMENSIONS ARE BEING ELIMINATED. TO ACCOMMODATE THIS CONVERSION, IT IS RECOMMENDED THAT BOARDS DESIGNED TO THIS PRINT REVISION INCLUDE THESE HOLES.
  - PART COMPLIES WITH COSMETIC SPECIFICATION PS-45499-002. SEE SHEET 4 SECTION Z-Z FOR SURFACE CLASSIFICATIONS. UNDERSIDE OF CAGE COMPLIES WITH CLASS "C".

PART NUMBER	DESCRIPTION	VIEW	COMPLIANT TAIL PLATING	CAGE PLATING
754500001	4 PORT LIGHT PIPE	SEE PG 2	TIN / LEAD	N/A
754500002	INNER 2 PORTS	SEE PG 2	TIN / LEAD	N/A
754500003	OUTER 2 PORTS	SEE PG 2	TIN / LEAD	N/A
754505001	4 PORT LIGHT PIPE	SEE PG 2	TIN	N/A
754505002	INNER 2 PORTS	SEE PG 2	TIN	N/A
754505003	OUTER 2 PORTS	SEE PG 2	TIN	N/A
754501001	4 PORT LIGHT PIPE	SEE PG 2	TIN / LEAD	POST-PLATED

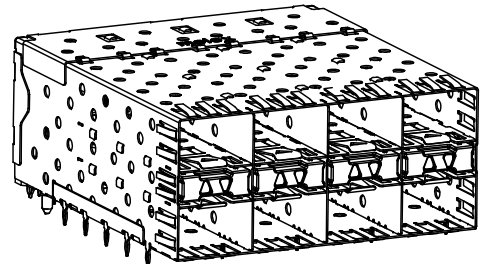
ADD KEEP OUT ZONES EC NO: UCP200-0369 6/10/09 G'DRWN:RS IBARRA CHK:CBARKER 2009/08/26 APPR:SKILLER 2009/08/27	QUALITY SYMBOLS ▽=0 ▽=0	GENERAL TOLERANCES (UNLESS SPECIFIED)		DIMENSION STYLE MM ONLY		SCALE 3:1	DESIGN UNITS METRIC	THIRD ANGLE PROJECTION
		4 PLACES ± 0.13 ± 0.13 3 PLACES ± 0.25 ± 0.25 2 PLACES ± 0.25 ± 0.25 1 PLACE ± 0.25 ± 0.25	mm INCH	DRAWN BY JLONG	DATE 08-04-2004	TITLE STACKED SFP 2X4 MEDIUM HEIGHT ASS'Y, PRESS-FIT TAILS WITH LIGHT PIPES		
		ANGULAR ± 5°		CHECKED BY JLONG	DATE 08-06-2004			
		DRAFT WHERE APPLICABLE MUST REMAIN WITHIN DIMENSIONS		APPROVED BY RNELSON	DATE 02-15-2005	MOLEX INCORPORATED		
		SEE TABLE		MATERIAL NO. SD-75450-001	DOCUMENT NO.	SHEET NO. 1 OF 4		

1b\_frame\_C.P.A.M.T Rev. E 2006/04/15 12 11 10 9 8 7 6 5 4 3 2 1

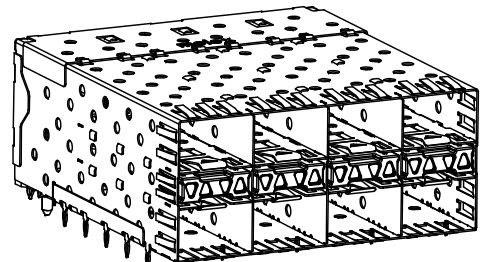
13 12 11 10 9 8 7 6 5 4 3 2 1



754500003 & 754505003  
WITH OUTER LIGHT PIPES



754500002 & 754505002  
WITH INNER LIGHT PIPES

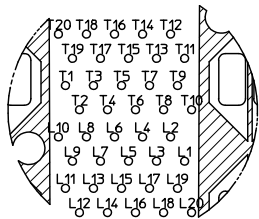


754500001, 754501001 & 754505001  
WITH INNER/OUTER LIGHT PIPES

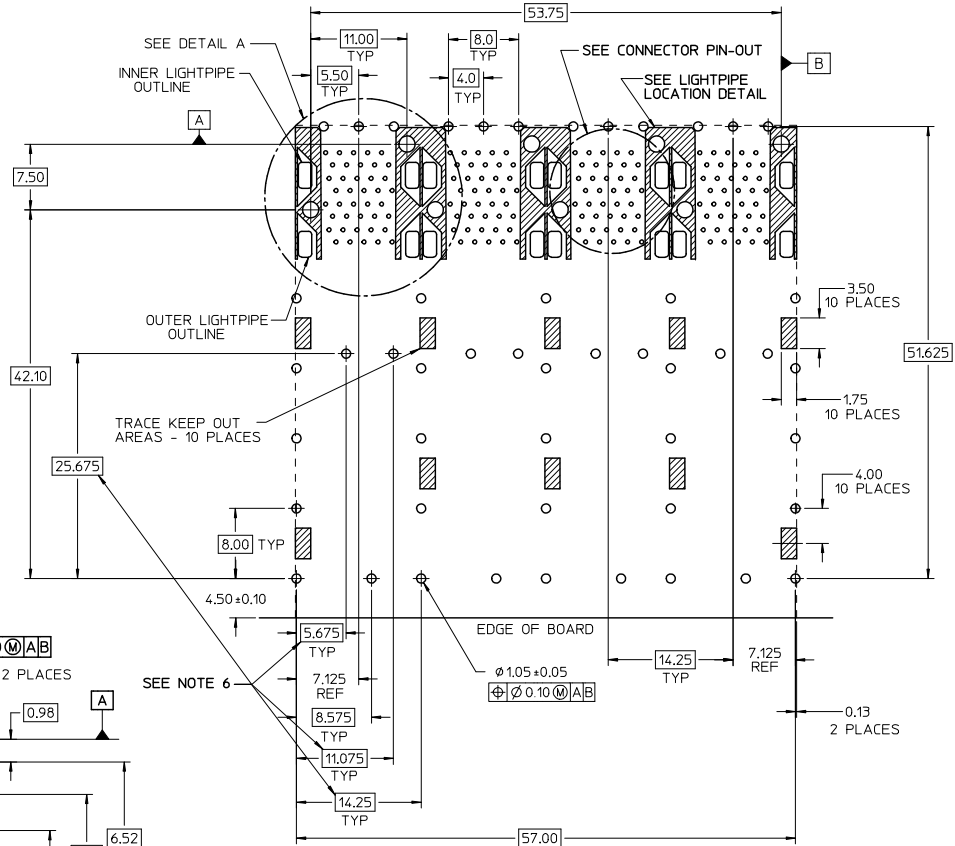
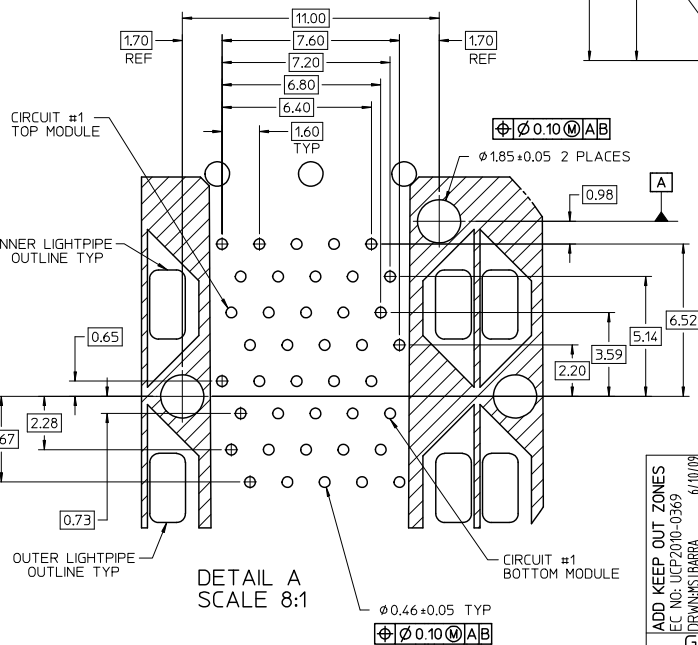
SEE SHEET 1 EC NO. UCP2010-0369 6/10/09 GDRWINIS IBARRA 2009/08/26 CHK:CBARKER APPR:SHILLER 2009/08/27	QUALITY SYMBOLS ▽=0 ▽=0	GENERAL TOLERANCES (UNLESS SPECIFIED)		DIMENSION STYLE MM ONLY		SCALE 3:1	DESIGN UNITS METRIC	THIRD ANGLE PROJECTION
		4 PLACES ±--- ±---	mm	INCH	DRAWN BY JLONG	DATE 08-04-2004	TITLE STACKED SFP 2X4 MEDIUM HEIGHT ASS'Y, PRESS-FIT TAILS WITH LIGHT PIPES	
		3 PLACES ±--- ±---			CHECKED BY JLONG	DATE 08-06-2004		
		2 PLACES ±0.13 ±---			APPROVED BY RNELSON	DATE 02-15-2005		
1 PLACE ±0.25 ±---			MATERIAL NO.		DOCUMENT NO.	SHEET NO.		
DRAFT WHERE APPLICABLE MUST REMAIN WITHIN DIMENSIONS		SEE TABLE		SD-75450-001		MOLEX INCORPORATED		2 OF 4
THIS DRAWING CONTAINS INFORMATION THAT IS PROPRIETARY TO MOLEX INCORPORATED AND SHOULD NOT BE USED WITHOUT WRITTEN PERMISSION								

12 11 10 9 8 7 6 5 4 3 2 1

13 12 11 10 9 8 7 6 5 4 3 2 1



CONNECTOR PIN-OUT  
SCALE 6:1

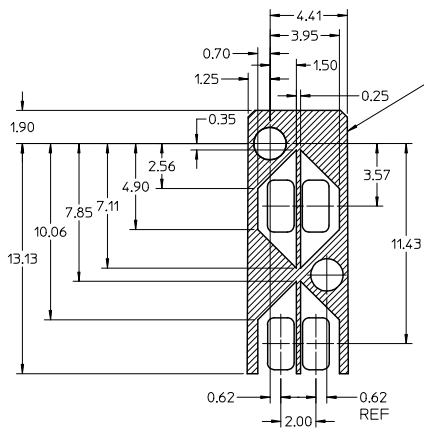


RECOMMENDED PCB LAYOUT - COMPONENT SIDE  
 RECOMMENDED PCB THICKNESS - 2.36 MM (.093 INCH)  
 THE ENTIRE AREA OF THE CONNECTOR FOOTPRINT  
 TO BE CONSIDERED THE KEEP OUT AREA FOR COMPONENTS  
 (OTHER THAN LIGHT PIPE LED'S).  
 THIS AREA IS INDICATED BY THE DASHED LINE

ADD KEEP OUT ZONES EC NO: UCP2010-0369 6/10/09 G DRWINIS IBARRA CHK:BARBER 2009/08/26 APPR:SHILLER 2009/08/27	QUALITY SYMBOLS ▽=0 ▽=0	GENERAL TOLERANCES (UNLESS SPECIFIED)		DIMENSION STYLE MM ONLY		SCALE 3:1		DESIGN UNITS METRIC		THIRD ANGLE PROJECTION	
		4 PLACES ± --- ± --- 3 PLACES ± --- ± ---		DRAWN BY JLONG DATE 08-04-2004		TITLE STACKED SFP 2X4 MEDIUM HEIGHT ASS'Y, PRESS-FIT TAILS WITH LIGHT PIPES					
		2 PLACES ± 0.13 ± --- 1 PLACE ± 0.25 ± ---		CHECKED BY JLONG DATE 08-06-2004		MOLEX INCORPORATED					
		ANGULAR ± 5 °		APPROVED BY RNELSON DATE 02-15-2005		MATERIAL NO. SD-75450-001		SHEET NO. 3 OF 4			
DRAFT WHERE APPLICABLE MUST REMAIN WITHIN DIMENSIONS				SEE TABLE		THIS DRAWING CONTAINS INFORMATION THAT IS PROPRIETARY TO MOLEX INCORPORATED AND SHOULD NOT BE USED WITHOUT WRITTEN PERMISSION					

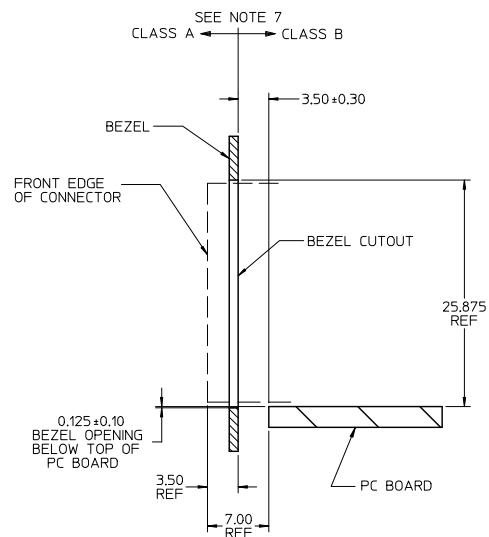
12 11 10 9 8 7 6 5 4 3 2 1

13 12 11 10 9 8 7 6 5 4 3 2 1

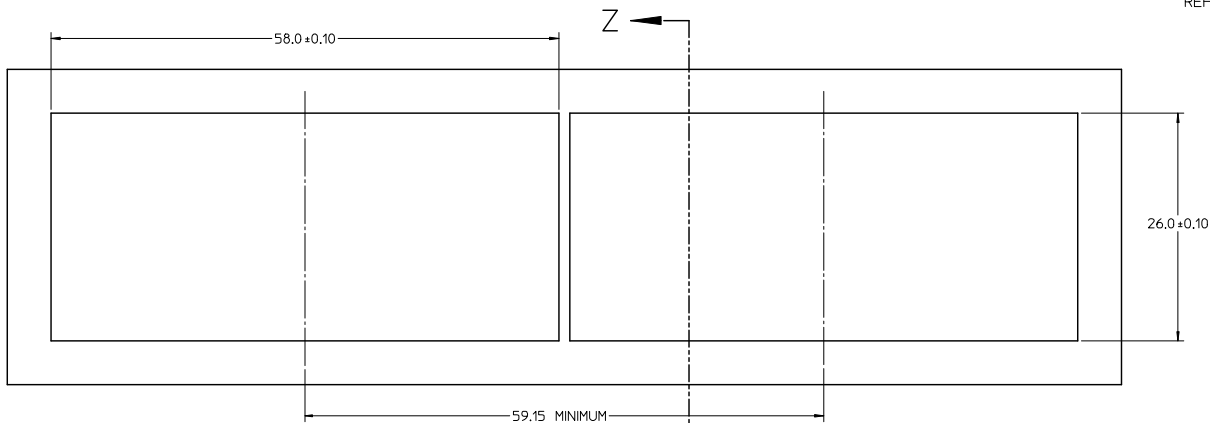


THE HATCHED AREA IN THIS VIEW INDICATES ZONES THAT ARE OCCUPIED BY THE PLASTIC HOUSING THAT SEATS AGAINST THE PCB AND BY THE VERTICAL METAL CAGE WALL THAT STOPS JUST SHORT OF THE PCB

DETAIL - LIGHT PIPE LOCATION AND OTHER ZONES  
SCALE 6:1



SECTION Z-Z  
SCALE 3:1



BEZEL CUTOUT CENTER SPACING DETAIL  
BEZEL THICKNESS 0.8-2.6

SEE SHEET 1 EC NO. UCP2010-0369 6/10/09 G. DRWINIS IBARRA CHK: CHABARRER 2009/08/26 APPR: SHILLER 2009/08/27	QUALITY SYMBOLS	GENERAL TOLERANCES (UNLESS SPECIFIED)	DIMENSION STYLE	SCALE	DESIGN UNITS	THIRD ANGLE PROJECTION
	▽=0 ▽=0	mm INCH 4 PLACES ± --- ± --- 3 PLACES ± --- ± --- 2 PLACES ± 0.13 ± --- 1 PLACE ± 0.25 ± --- ANGULAR ± 5 °	MM ONLY	3:1	METRIC	DRAWN BY: JLONG DATE: 08-04-2004 CHECKED BY: JLONG DATE: 08-06-2004 APPROVED BY: RNELSON DATE: 02-15-2005
	DESCRIPTION	DRAFT WHERE APPLICABLE MUST REMAIN WITHIN DIMENSIONS	SEE TABLE	MATERIAL NO.	DOCUMENT NO.	SHEET NO.
	STACKED SFP 2X4 MEDIUM HEIGHT ASS'Y, PRESS-FIT TAILS WITH LIGHT PIPES MOLEX INCORPORATED SD-75450-001 4 OF 4	THIS DRAWING CONTAINS INFORMATION THAT IS PROPRIETARY TO MOLEX INCORPORATED AND SHOULD NOT BE USED WITHOUT WRITTEN PERMISSION				

12 11 10 9 8 7 6 5 4 3 2 1