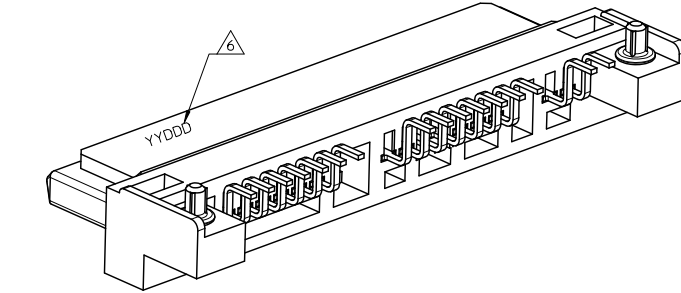
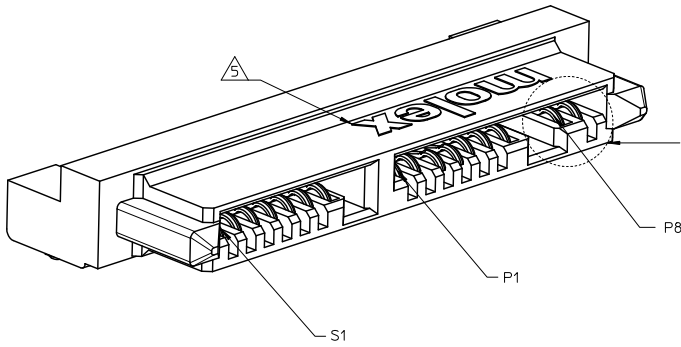


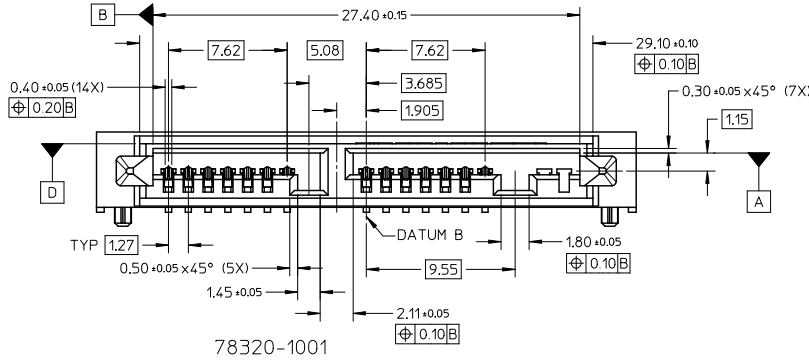
PART NUMBER	TOTAL PINS	DESCRIPTION
78320-0001	16	WITH OPTIONAL MANUFACTURING PINS (S1 TO S7 & P1 TO P9)
78320-1001	14	WITHOUT OPTIONAL MANUFACTURING PINS (S1 TO S7 & P1 TO P7)



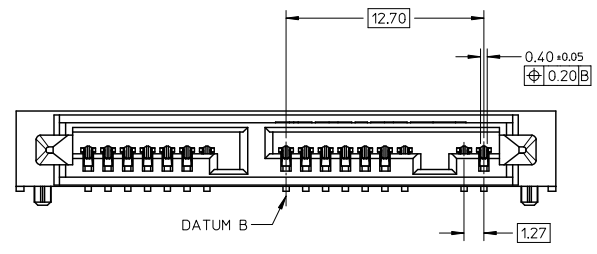
- NOTES:
- MATERIAL : NYLON (PA), GLASS FILLED, UL 94V-0, BLACK
TERMINAL/LOCATING PIN : COPPER ALLOY
 - FINISHES :
TERMINAL : 0.764m MIN. SELECTIVE GOLD OVER
1.274m MIN. NICKEL UNDERPLATE
: 2.544m MIN. TIN OVER
1.274m MIN. NICKEL UNDERPLATE
LOCATING PIN : 3.814m MIN. TIN OVER
2.004m MIN. NICKEL UNDERPLATE
 - PRODUCT SPECIFICATION: PS-78320-002
 - PACKAGING : TRAY
 - MOLEX LOGO LOCATED APPROXIMATELY AS SHOWN
 - DATE CODE LOCATED APPROXIMATELY AS SHOWN
 - THIS PRODUCT IS COMPLIANT TO RoHS DIRECTIVE WITH THE FOLLOWING BANNED SUBSTANCES - LEAD, MERCURY, CADMIUM, HEXAVALENT CHROMIUM, POLYBROMINATED BIPHENYLS AND POLYBROMINATED DIPHENYLS ETHERS.
 - NON FUNCTIONAL CORING MAY VARY.

UPDATE VIEWS	QUALITY SYMBOLS	GENERAL TOLERANCES (UNLESS SPECIFIED)		DIMENSION STYLE		SCALE	DESIGN UNITS	THIRD ANGLE PROJECTION	
		mm	INCH	MM ONLY	DATE	NTS	METRIC		
UPDATE VIEWS E.C. NO: S2010-0590 DRAWN: GMENARLY 2010/01/13 CHYK: CGH 2010/01/25 APPR: BOKOK 2010/01/28 A3	▽=0	4 PLACES ±	±	DRAWN BY	DATE	TITLE	SERIAL ATA RECEPTACLE 1.8 INCH HDD/SSD R/A, SMT, 3.80MM HEIGHT MOLEX INCORPORATED		
	▽=0	3 PLACES ±	±	CHECKED BY	DATE				
	▽=0	2 PLACES ±	±	APPROVED BY	DATE	DOCUMENT NO.	SHEET NO.		
	▽=0	1 PLACE ±	±	BOKOK	2010/01/28	SD-78320-001	1 OF 5		
DRAFT WHERE APPLICABLE MUST REMAIN WITHIN DIMENSIONS		ANGULAR ± 3°		MATERIAL NO. SEE TABLE		THIS DRAWING CONTAINS INFORMATION THAT IS PROPRIETARY TO MOLEX INCORPORATED AND SHOULD NOT BE USED WITHOUT WRITTEN PERMISSION			

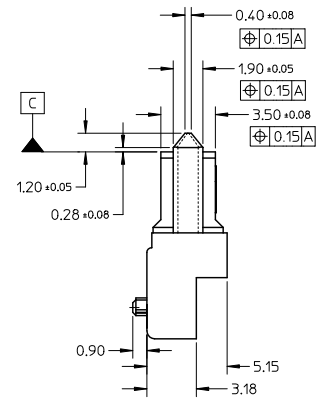
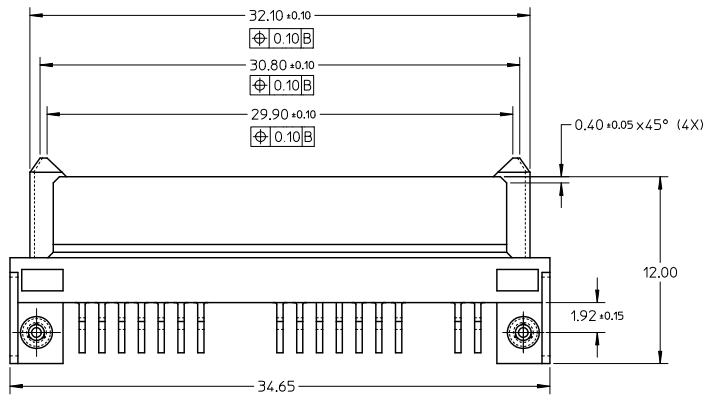
10 9 8 7 6 5 4 3 2 1



78320-1001



78320-0001



UPDATE VIEWS EEC NO: S2010-0590 DRAWN: GMENARLY 2010/01/13 CHECKED: CHYKICGOH 2010/01/25 APPR: BOKKOK 2010/01/26	QUALITY SYMBOLS □=0 □=0 □=0	GENERAL TOLERANCES (UNLESS SPECIFIED)		DIMENSION STYLE MM ONLY		SCALE NTS	DESIGN UNITS METRIC	THIRD ANGLE PROJECTION	
		4 PLACES ± --- ± ---	mm INCH	DRAWN BY GMENARLY	DATE 2007/08/23	TITLE SERIAL ATA RECEPTACLE 1.8 INCH HDD/SSD R/A, SMT, 3.80MM HEIGHT			
		3 PLACES ± --- ± ---		CHECKED BY YKOH	DATE 2007/10/04	MOLEX INCORPORATED			
		2 PLACES ± 0.20 ± ---		APPROVED BY BOKKOK	DATE 2010/01/26	MATERIAL NO. SEE TABLE			
		ANGULAR ± 3°		DRAFT WHERE APPLICABLE MUST REMAIN WITHIN DIMENSIONS		DOCUMENT NO. SD-78320-001		SHEET NO. 2 OF 5	
SIZE A3				THIS DRAWING CONTAINS INFORMATION THAT IS PROPRIETARY TO MOLEX INCORPORATED AND SHOULD NOT BE USED WITHOUT WRITTEN PERMISSION					

tb_frame_A3_P_AM_T
Rev. F 2009/06/18

9 8 7 6 5 4 3 2 1

10 9 8 7 6 5 4 3 2 1

F

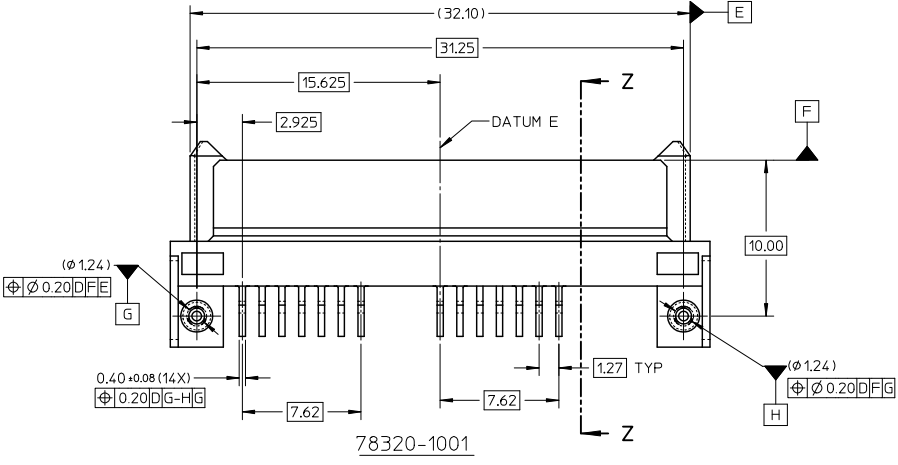
E

D

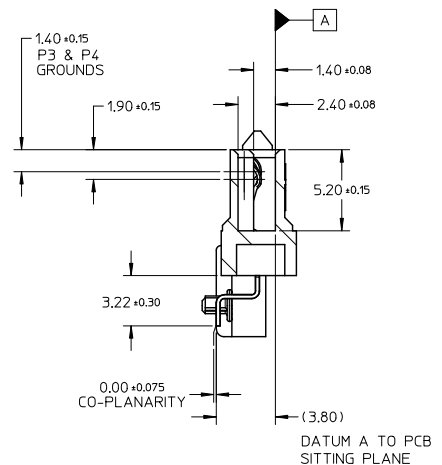
C

B

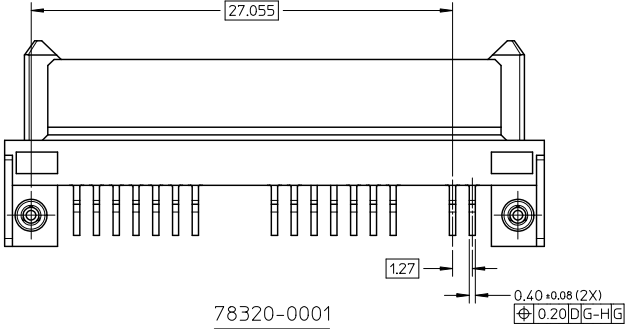
A



78320-1001



SECTION Z-Z

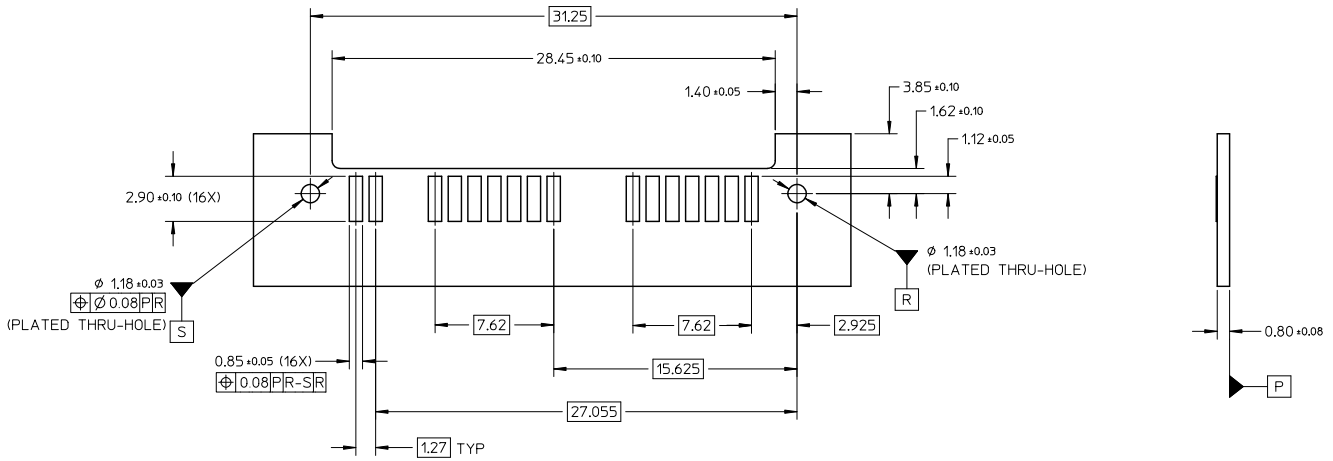


78320-0001

UPDATE VIEWS EEC NO: S2010-0590 DRAWN: GMENARLY 2010/01/13 CHECKED: CGH 2010/01/25 APPR: BOKOK 2010/01/26	QUALITY SYMBOLS □=0 □=0 □=0	GENERAL TOLERANCES (UNLESS SPECIFIED)		DIMENSION STYLE MM ONLY		SCALE NTS	DESIGN UNITS METRIC	THIRD ANGLE PROJECTION	
		4 PLACES ± --- ± ---	mm INCH	DRAWN BY GMENARLY	DATE 2007/08/23	TITLE SERIAL ATA RECEPTACLE 1.8 INCH HDD/SSD R/A, SMT, 3.80MM HEIGHT			
		3 PLACES ± --- ± ---	2 PLACES ± 0.20 ± ---	CHECKED BY YKOH	DATE 2007/10/04	MOLEX INCORPORATED			
		1 PLACE ± --- ± ---	ANGULAR ± 3°	APPROVED BY BOKOK	DATE 2010/01/26	MATERIAL NO. SEE TABLE	DOCUMENT NO. SD-78320-001	SHEET NO. 3 OF 5	
DRAFT WHERE APPLICABLE MUST REMAIN WITHIN DIMENSIONS		THIS DRAWING CONTAINS INFORMATION THAT IS PROPRIETARY TO MOLEX INCORPORATED AND SHOULD NOT BE USED WITHOUT WRITTEN PERMISSION							

9 8 7 6 5 4 3 2 1

10 9 8 7 6 5 4 3 2 1

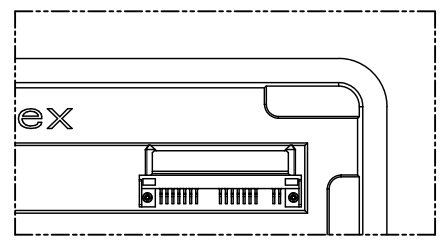
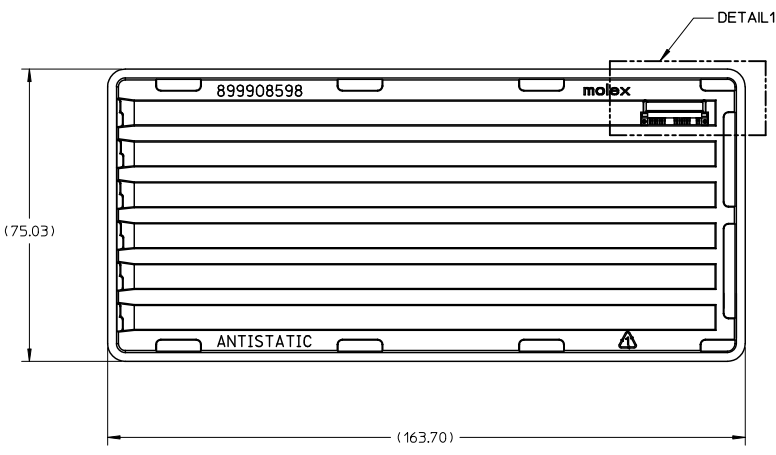


RECOMMENDED PCB LAYOUT

UPDATE VIEWS EEC NO: S2010-0590 DRAWN: GMENARLY 2010/01/13 CHECKED: CHYKJCGOH 2010/01/25 APPR: BOKKOK 2010/01/26	DESCRIPTION SERIAL ATA RECEPTACLE	QUALITY SYMBOLS	GENERAL TOLERANCES (UNLESS SPECIFIED)		DIMENSION STYLE MM ONLY		SCALE NTS	DESIGN UNITS METRIC	THIRD ANGLE PROJECTION	
		▽=0	4 PLACES	±	---	mm	INCH	DRAWN BY GMENARLY	DATE 2007/08/23	TITLE SERIAL ATA RECEPTACLE 1.8 INCH HDD/SSD R/A, SMT, 3.80MM HEIGHT
		▽=0	3 PLACES	±	---	±	---	CHECKED BY YKOH	DATE 2007/10/04	MOLEX INCORPORATED MOLEX DOCUMENT NO. SD-78320-001
		▽=0	2 PLACES	±	0.20	±	---	APPROVED BY BOKKOK	DATE 2010/01/26	
			1 PLACE	±	---	ANGULAR	±	3°		
			DRAFT WHERE APPLICABLE MUST REMAIN WITHIN DIMENSIONS			SEE TABLE	THIS DRAWING CONTAINS INFORMATION THAT IS PROPRIETARY TO MOLEX INCORPORATED AND SHOULD NOT BE USED WITHOUT WRITTEN PERMISSION			

9 8 7 6 5 4 3 2 1

10 9 8 7 6 5 4 3 2 1



NOTES:
 1. PACKAGING QTY: 54PCS/TRAY
 2. MATERIAL: PVC-CLEAR, ANTISTATIC
 0.70MM THICK (PRE-FORMED)

UPDATE VIEWS EIC NO: S2010-0590 DRAWN: GMENARLY 2010/01/13 CHECKED: CHYK:CGOH 2010/01/25 APPR: BOKKOK 2010/01/26	QUALITY SYMBOLS □=0 □=0 □=0	GENERAL TOLERANCES (UNLESS SPECIFIED)		DIMENSION STYLE		SCALE	DESIGN UNITS	THIRD ANGLE PROJECTION	
		mm	INCH	MM ONLY		NTS	METRIC		
		4 PLACES ± ---	± ---	DRAWN BY	DATE	TITLE			
		3 PLACES ± ---	± ---	GMENARLY	2007/08/23	SERIAL ATA RECEPTACLE 1.8 INCH HDD/SSD R/A, SMT, 3.80MM HEIGHT			
2 PLACES ± 0.20	± ---	CHECKED BY	DATE	MATERIAL NO.		DOCUMENT NO.		SHEET NO.	
1 PLACE ± ---	± ---	YKOH	2007/10/04	SEE TABLE		SD-78320-001		5 OF 5	
ANGULAR ± 3°		APPROVED BY	DATE	THIS DRAWING CONTAINS INFORMATION THAT IS PROPRIETARY TO MOLEX INCORPORATED AND SHOULD NOT BE USED WITHOUT WRITTEN PERMISSION					
DRAFT WHERE APPLICABLE MUST REMAIN WITHIN DIMENSIONS		BOKKOK	2010/01/26						

9 8 7 6 5 4 3 2 1