

- NOTES:
- MATERIAL:
 - CAGE: NICKEL SILVER, THICKNESS: 0.25mm
 - CONNECTOR HOUSING: GLASS FILLED HIGH TEMP PLASTIC, 94 V-0
 - COLOR: BLACK
 - OVERMOLDED TERMINAL HOUSING: GLASS FILLED HIGH TEMP PLASTIC, 94 V-0, COLOR: BLACK
 - TERMINALS: TIN BRASS
 - LIGHT PIPES: POLYCARBONITE, 94 V-0, COLOR: CLEAR
 - LIGHT PIPE HOUSING: ZINC
 - FINISH:
 - CAGE ASSY: (ALTERNATE POST-PLATED) NICKEL (MATTE) 2-5 MICROMETERS NICKEL OVER 2 MICROMETERS COPPER BASE.
 - LIGHT PIPE HOUSING: 150 MICROMETERS NICKEL OVER 150 MICROMETERS COPPER
 - TERMINALS: CONTACT AREA: 0.76 MICRONS MINIMUM HARD GOLD OVER 1.27 MICROMETERS MINIMUM NICKEL.
 - COMPLIANT AREA - TIN/LEAD OPTION: 0.76 - 152 MICROMETERS 90/10 TIN/LEAD OVER 0.76 - 152 MICROMETERS NICKEL
 - COMPLIANT AREA - TIN OPTION: 0.76 - 152 MICROMETERS TIN OVER 0.76 - 152 MICROMETERS NICKEL
 - REFER TO PS-75310-001 PRODUCT SPEC FOR ALL ELECTRICAL, MECHANICAL AND ENVIRONMENTAL SPECIFICATIONS.
 - LIGHT PIPE PAD LAYOUT IS FOR LOW-PROFILE LED PACKAGE, FOR OTHER RECOMMENDED LAYOUTS REFER TO MOLEX'S REPORT TS-75310-001.
 - REFER TO PK-75733-001 FOR ALL PACKAGING SPECIFICATIONS.
 - THE CURVED TAILS THAT GO INTO THE HOLES LOCATED BY THESE DIMENSIONS ARE BEING ELIMINATED. TO ACCOMMODATE THIS CONVERSION, IT IS RECOMMENDED THAT BOARDS DESIGNED TO THIS PRINT REVISION INCLUDE THESE HOLES.
 - PART COMPLIES WITH COSMETIC SPECIFICATION PS-45499-002. SEE SHEET 4 SECTION Z-Z FOR SURFACE CLASSIFICATIONS. UNDERSIDE OF CAGE COMPLIES WITH CLASS 'C'.

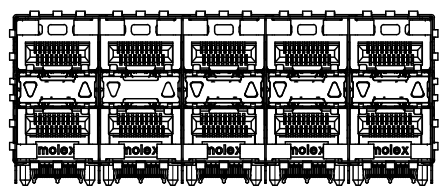
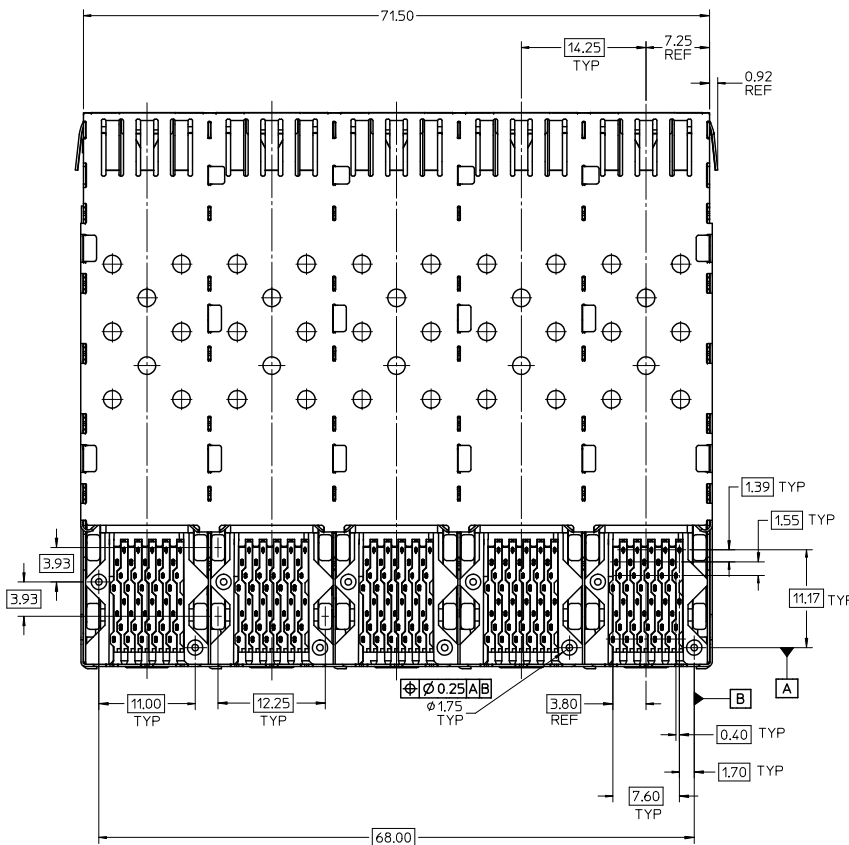
PART NUMBER	DESCRIPTION	VIEW	COMPLIANT TAIL PLATING	CAGE PLATING
757340001	4 PORT LIGHT PIPE	SEE PG 2	TIN / LEAD	N/A
757340002	INNER 2 PORTS	SEE PG 2	TIN / LEAD	N/A
757340003	OUTER 2 PORTS	SEE PG 2	TIN / LEAD	N/A
757345001	4 PORT LIGHT PIPE	SEE PG 2	TIN	N/A
757345002	INNER 2 PORTS	SEE PG 2	TIN	N/A
757345003	OUTER 2 PORTS	SEE PG 2	TIN	N/A
757341001	4 PORT LIGHT PIPE	SEE PG 2	TIN / LEAD	POST-PLATED

ADD KEEP OUT ZONES EC NO. LEP2010-0369 G DRWINIS/BBARA CHK:BBARKER APPR:SHILLER 7/12/09 2009/08/28 2009/08/27	QUALITY SYMBOLS ▽=0 ▽=0	GENERAL TOLERANCES (UNLESS SPECIFIED) mm INCH 4 PLACES ± --- ± --- 3 PLACES ± --- ± --- 2 PLACES ± 0.13 ± --- 1 PLACE ± 0.25 ± --- ANGULAR ± 5°	DIMENSION STYLE MM ONLY	SCALE 3:1	DESIGN UNITS METRIC	THIRD ANGLE PROJECTION	
		DRAWN BY DROSCA	DATE 11/29/2004	TITLE STACKED SFP 2X5 MEDIUM HEIGHT ASS'Y, PRESS-FIT TAILS WITH LIGHT PIPES			
		CHECKED BY JLONG	DATE 11/29/2004	MOLEX INCORPORATED			
		APPROVED BY RNELSON	DATE 11/29/2004	MATERIAL NO. SEE TABLE	DOCUMENT NO. SD-75734-001	SHEET NO. 1 OF 4	

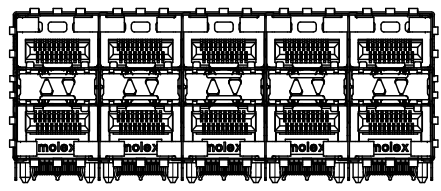
DRAFT WHERE APPLICABLE MUST REMAIN WITHIN DIMENSIONS

THIS DRAWING CONTAINS INFORMATION THAT IS PROPRIETARY TO MOLEX INCORPORATED AND SHOULD NOT BE USED WITHOUT WRITTEN PERMISSION

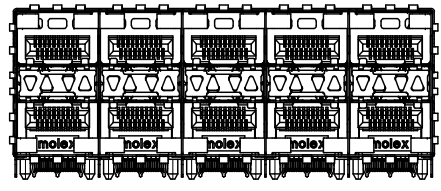
13 12 11 10 9 8 7 6 5 4 3 2 1



75734-0003 & 75734-5003
WITH OUTER LIGHT PIPES



75734-0002 & 75734-5002
WITH INNER LIGHT PIPES



75734-0001 & 75734-5001
WITH INNER/OUTER LIGHT PIPES

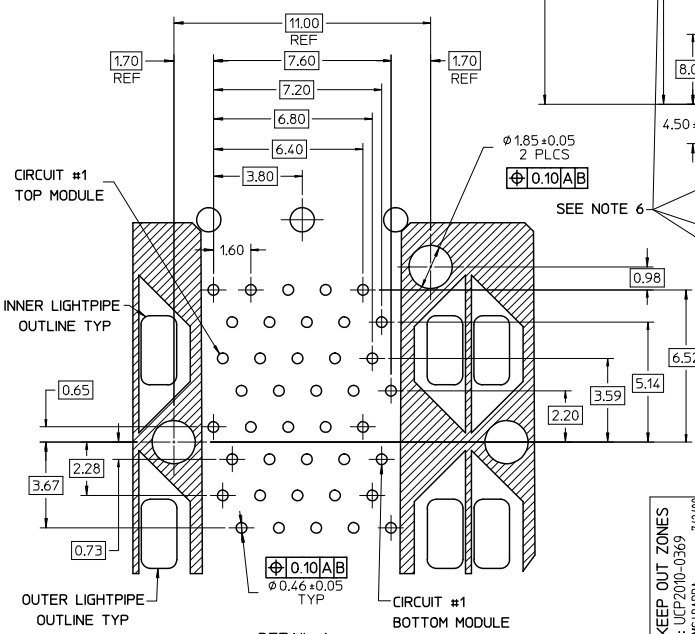
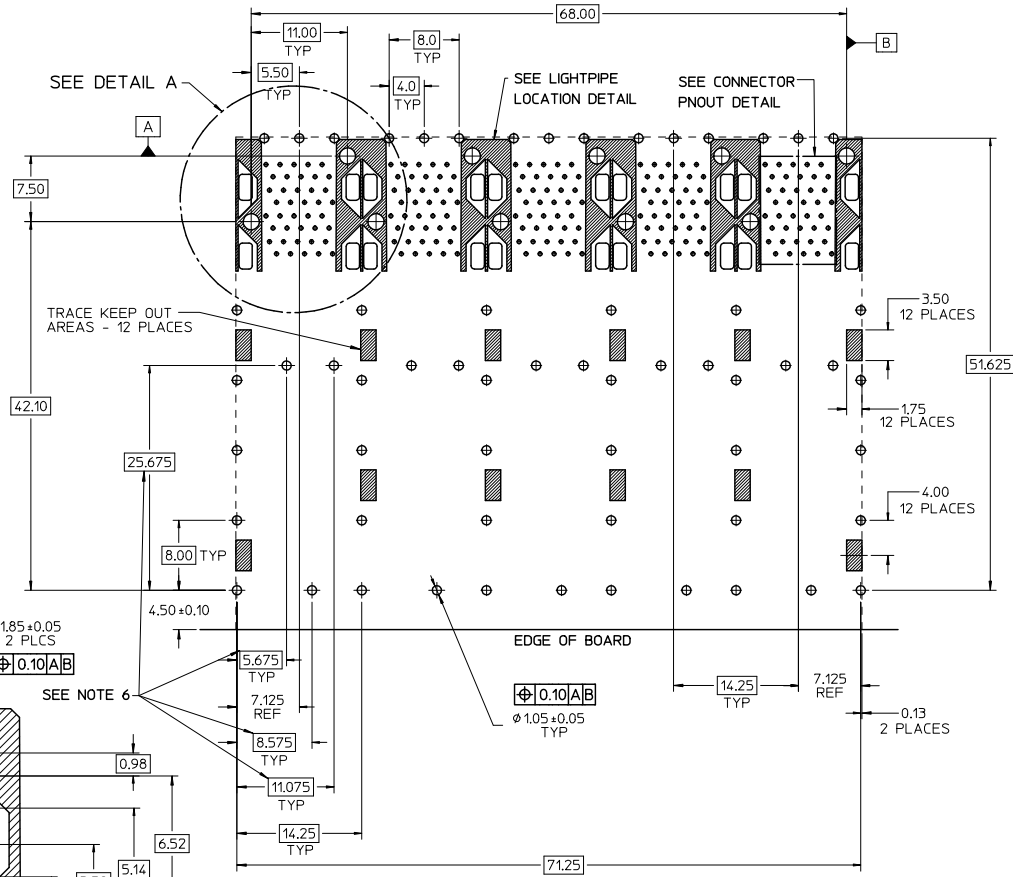
SEE SHEET 1 EC NO. UCP2010-0369 7/2/09 G DRINKS DBARRA 2009/08/26 CHK:BBARKER APPR:STILLER 2009/08/27 REV:	QUALITY SYMBOLS	GENERAL TOLERANCES (UNLESS SPECIFIED)		DIMENSION STYLE		SCALE	DESIGN UNITS	THIRD ANGLE PROJECTION
	▽=0 ▽=0	mm	INCH	MM ONLY	3:1	METRIC	☉	
	4 PLACES ±--- ±--- 3 PLACES ±--- ±--- 2 PLACES ±0.13 ±--- 1 PLACE ±0.25 ±--- ANGULAR ±5°	DRAWN BY	DATE	TITLE	STACKED SFP 2X5 MEDIUM HEIGHT ASS'Y, PRESS-FIT TAILS WITH LIGHT PIPES			
	DRAFT WHERE APPLICABLE MUST REMAIN WITHIN DIMENSIONS	DROSCA 11/29/2004 JLONG 11/29/2004 RNELSON 11/29/2004	MATERIAL NO. SEE TABLE	DOCUMENT NO. SD-75734-001	MOLEX INCORPORATED			
								SHEET NO. 2 OF 4

12 11 10 9 8 7 6 5 4 3 2 1

13 12 11 10 9 8 7 6 5 4 3 2 1

T20 T18 T16 T14 T12
 T19 T17 T15 T13 T11
 T1 T3 T5 T7 T9
 T2 T4 T6 T8 T10
 L10 L8 L6 L4 L2
 L9 L7 L5 L3 L1
 L11 L13 L15 L17 L19
 L12 L14 L16 L18 L20

CONNECTOR PN-OUT DETAIL
 SCALE 6:1

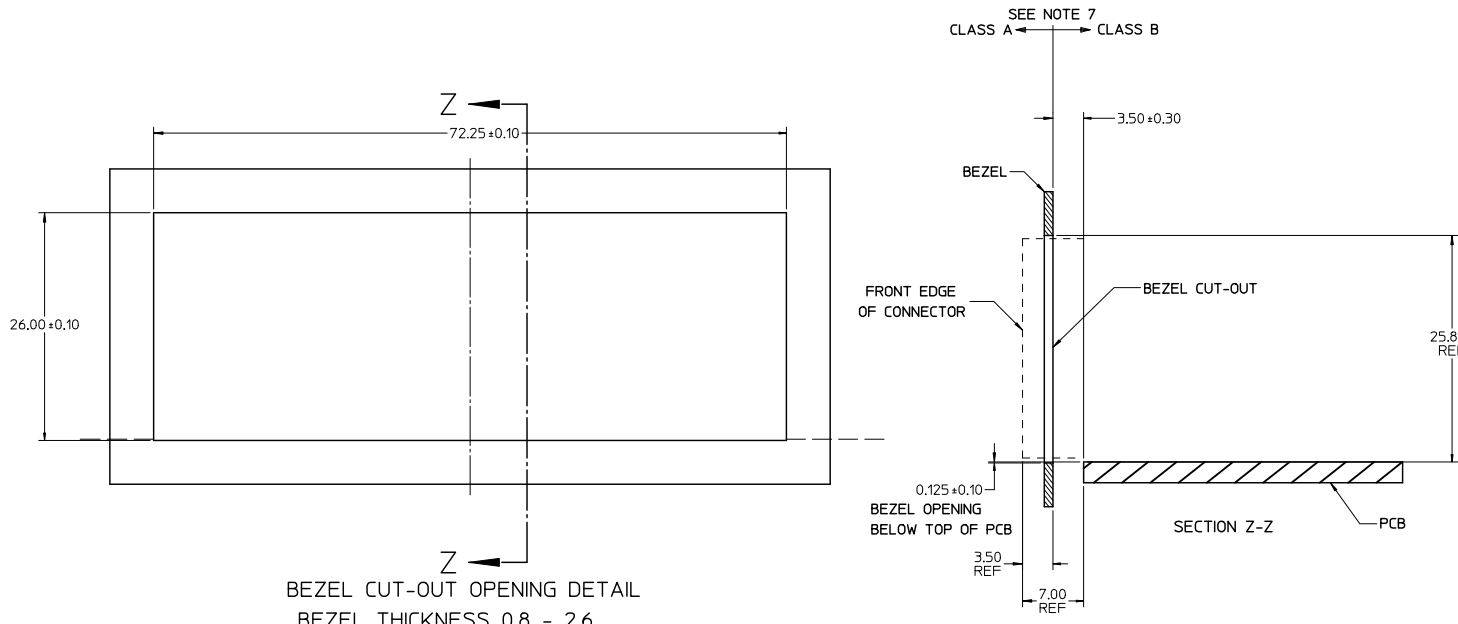


DETAIL A
 SCALE 8:1

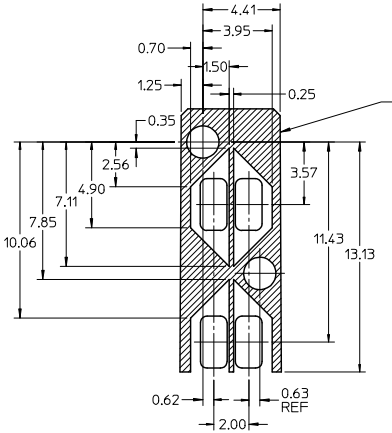
RECOMMENDED PCB LAYOUT - COMPONENT SIDE
 RECOMMENDED PCB THICKNESS - 2.36 MM (.093 INCH)
 THE ENTIRE AREA OF THE CONNECTOR FOOTPRINT
 TO BE CONSIDERED THE KEEP OUT AREA FOR COMPONENTS
 (OTHER THAN LIGHT PIPE LED'S).
 THIS AREA IS INDICATED BY THE DASHED LINE

ADD KEEP OUT ZONES EC NO: LEP2010-0369 7/2/09 G DRWNS (BARRA 2009/08/28) CHKD (BARBER 2009/08/27) APPR: (SMILLER 2009/08/27)	QUALITY SYMBOLS	GENERAL TOLERANCES (UNLESS SPECIFIED)	DIMENSION STYLE	SCALE	DESIGN UNITS	THIRD ANGLE PROJECTION
	$\nabla=0$ $\nabla=0$	mm INCH 4 PLACES ± --- ± --- 3 PLACES ± --- ± --- 2 PLACES ± 0.13 ± --- 1 PLACE ± 0.25 ± --- ANGULAR ± 5 °	MM ONLY	3:1	METRIC	<input checked="" type="checkbox"/> THIRD ANGLE PROJECTION
	DESCRIPTION	DRAWN BY	DATE	TITLE	STACKED SFP 2X5 MEDIUM HEIGHT ASS'Y, PRESS-FIT TAILS WITH LIGHT PIPES	
	REV	DRAFT WHERE APPLICABLE MUST REMAIN WITHIN DIMENSIONS	DROSCA 11/29/2004 JLONG 11/29/2004 RNELSON 11/29/2004	DATE DATE DATE	MOLEX INCORPORATED	SHEET NO. 3 OF 4

13 12 11 10 9 8 7 6 5 4 3 2 1



BEZEL CUT-OUT OPENING DETAIL
BEZEL THICKNESS 0.8 - 2.6



THE HATCHED AREA IN THIS VIEW INDICATES ZONES THAT ARE OCCUPIED BY THE PLASTIC HOUSING THAT SEATS AGAINST THE PCB AND BY THE VERTICAL METAL CAGE WALL THAT STOPS JUST SHORT OF THE PCB

DETAIL - LIGHTPIPE LOCATION AND OTHER ZONES
SCALE 6:1

SEE SHEET 1 EC NO. I/CP2010-0369 G. DRWINS BARBA 7/2/09 CHK: BARBER 2009/08/26 APPR: STILLER 2009/08/27	QUALITY SYMBOLS ▽=0 ▽=0	GENERAL TOLERANCES (UNLESS SPECIFIED)		DIMENSION STYLE MM ONLY		SCALE 3:1	DESIGN UNITS METRIC	THIRD ANGLE PROJECTION
		4 PLACES ± --- ± --- 3 PLACES ± --- ± --- 2 PLACES ± 0.13 ± --- 1 PLACE ± 0.25 ± --- ANGULAR ± 5 °	mm INCH	DRAWN BY DROSCA DATE 11/29/2004	CHECKED BY JLONG DATE 11/29/2004	TITLE STACKED SFP 2X5 MEDIUM HEIGHT ASS'Y, PRESS-FIT TAILS WITH LIGHT PIPES		
REV	DESCRIPTION	DRAFT WHERE APPLICABLE MUST REMAIN WITHIN DIMENSIONS		SEE TABLE		MATERIAL NO. SD-75734-001		SHEET NO. 4 OF 4
		THIS DRAWING CONTAINS INFORMATION THAT IS PROPRIETARY TO MOLEX INCORPORATED AND SHOULD NOT BE USED WITHOUT WRITTEN PERMISSION						

12 11 10 9 8 7 6 5 4 3 2 1