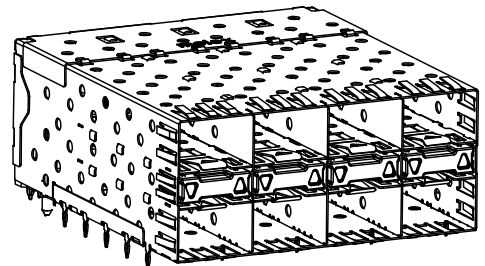
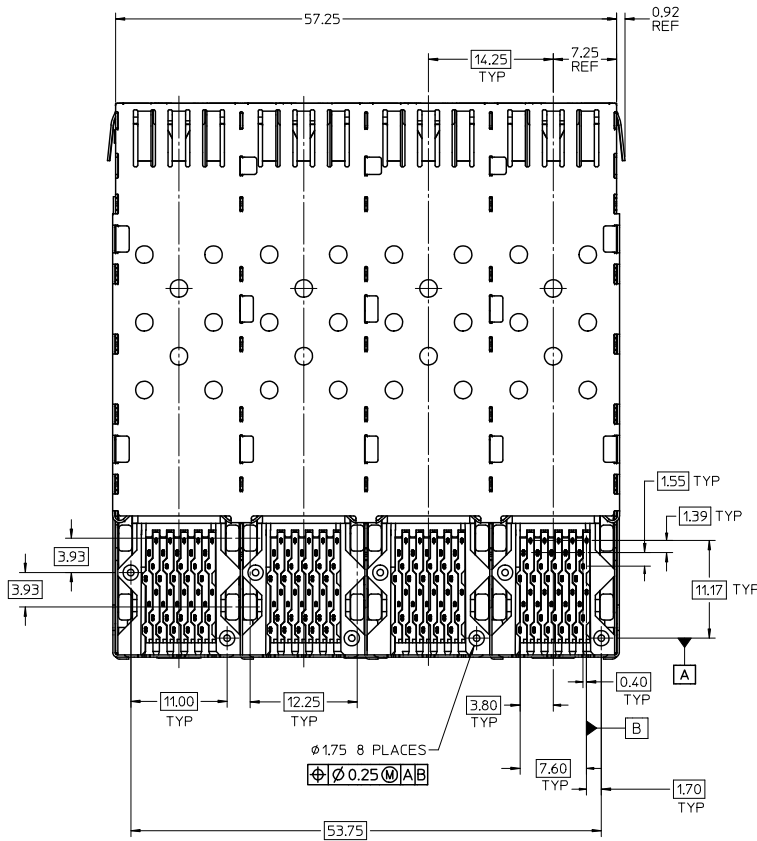


- NOTES:**
- MATERIAL:**  
 CAGE: NICKEL SILVER, THICKNESS: 0.25mm  
 CONNECTOR HOUSING: GLASS FILLED HIGH TEMP PLASTIC, 94 V-0  
 COLOR: BLACK  
 OVERMOLDED TERMINAL HOUSING: GLASS FILLED HIGH TEMP PLASTIC,  
 94 V-0, COLOR: BLACK  
 TERMINALS: TIN BRASS  
 LIGHT PIPES: POLYCARBONATE, 94 V-0, COLOR: CLEAR  
 LIGHT PIPE HOUSING: ZINC
  - FINISH:**  
 CAGE ASSY: (ALTERNATE POST-PLATED) NICKEL (MATT) 2-5 MICROMETERS NICKEL OVER 2 MICROMETERS COPPER BASE.  
 LIGHT PIPE HOUSING: 150 MICROMETERS NICKEL OVER 150 MICROMETERS COPPER  
 TERMINALS: CONTACT AREA: 0.76 MICROMETERS MINIMUM HARD GOLD OVER 1.27 MICROMETERS NICKEL.  
 COMPLIANT TAIL - TIN/LEAD OPTION: 0.76 - 1.52 MICROMETERS 90/10 TIN/LEAD OVER 0.76 - 1.52 MICROMETERS NICKEL  
 COMPLIANT TAIL - TIN OPTION: 0.76 - 1.52 MICROMETERS TIN OVER 0.76 - 1.52 MICROMETERS NICKEL
  - REFER TO PS-75310-001 PRODUCT SPEC FOR ALL ELECTRICAL, MECHANICAL AND ENVIRONMENTAL SPECIFICATIONS.
  - LIGHT PIPE PAD LAYOUT IS FOR 0805 LOW-PROFILE LED PACKAGE, FOR OTHER RECOMMENDED LAYOUTS REFER TO MOLEX'S REPORT TS-75310-001.
  - REFER TO PK-75450-001 FOR ALL PACKAGING SPECIFICATIONS.
  - THE CURVED TAILS THAT GO INTO THE HOLES LOCATED BY THESE DIMENSIONS ARE BEING ELIMINATED. TO ACCOMMODATE THIS CONVERSION, IT IS RECOMMENDED THAT BOARDS DESIGNED TO THIS PRINT REVISION INCLUDE THESE HOLES.
  - PART COMPLIES WITH COSMETIC SPECIFICATION PS-45499-002.  
 SEE SHEET 4 SECTION Z-Z FOR SURFACE CLASSIFICATIONS.  
 UNDERSIDE OF CAGE COMPLIES WITH CLASS "C".

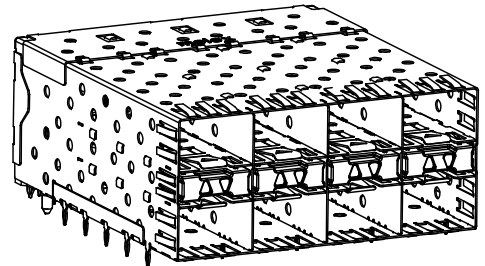
PART NUMBER	DESCRIPTION	VIEW	COMPLIANT TAIL PLATING	CAGE PLATING
754500001	4 PORT LIGHT PIPE	SEE PG 2	TIN / LEAD	N/A
754500002	INNER 2 PORTS	SEE PG 2	TIN / LEAD	N/A
754500003	OUTER 2 PORTS	SEE PG 2	TIN / LEAD	N/A
754505001	4 PORT LIGHT PIPE	SEE PG 2	TIN	N/A
754505002	INNER 2 PORTS	SEE PG 2	TIN	N/A
754505003	OUTER 2 PORTS	SEE PG 2	TIN	N/A
754501001	4 PORT LIGHT PIPE	SEE PG 2	TIN / LEAD	POST-PLATED

ADD KEEP OUT ZONES EC NO: UCP200-0369 6/10/09 G'DRWN:RS IBARRA CHK:CBARKER APPR:SKILLER 2009/08/26 2009/08/27	QUALITY SYMBOLS ▽=0 ▽=0	GENERAL TOLERANCES (UNLESS SPECIFIED)		DIMENSION STYLE		SCALE	DESIGN UNITS	THIRD ANGLE PROJECTION	
				MM ONLY		3:1	METRIC		
				DRAWN BY		DATE	TITLE		
				JLONG		08-04-2004	STACKED SFP 2X4 MEDIUM HEIGHT ASS'Y, PRESS-FIT TAILS WITH LIGHT PIPES		
		CHECKED BY		DATE	MOLEX INCORPORATED				
		JLONG		08-06-2004					
		APPROVED BY		DATE					
		RNELSON		02-15-2005					
		DRAFT WHERE APPLICABLE MUST REMAIN WITHIN DIMENSIONS		SEE TABLE		SD-75450-001		SHEET NO. 1 OF 4	
				SIZE C		THIS DRAWING CONTAINS INFORMATION THAT IS PROPRIETARY TO MOLEX INCORPORATED AND SHOULD NOT BE USED WITHOUT WRITTEN PERMISSION			

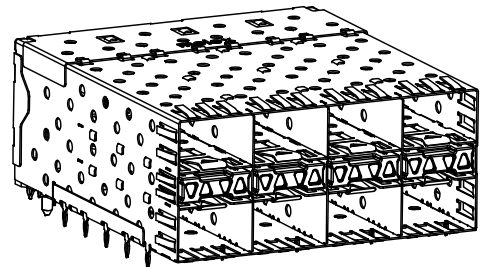
13 12 11 10 9 8 7 6 5 4 3 2 1



754500003 & 754505003  
WITH OUTER LIGHT PIPES



754500002 & 754505002  
WITH INNER LIGHT PIPES

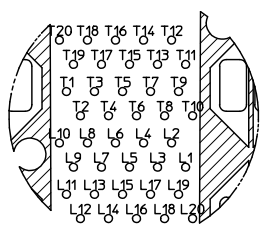


754500001, 754501001 & 754505001  
WITH INNER/OUTER LIGHT PIPES

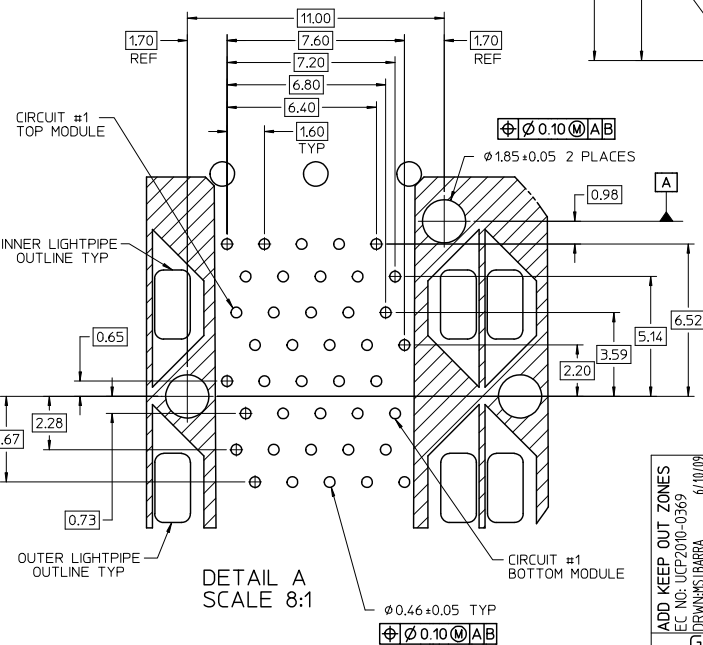
SEE SHEET 1 EC NO. UCP2010-0369 6/10/09 GDRWINIS IBARRA 2009/08/26 CHK:CBARKER APPR:SHILLER 2009/08/27	QUALITY SYMBOLS ▽=0 ▽=0	GENERAL TOLERANCES (UNLESS SPECIFIED)		DIMENSION STYLE MM ONLY		SCALE 3:1	DESIGN UNITS METRIC	THIRD ANGLE PROJECTION	
		4 PLACES ±--- ±---	mm	INCH	DRAWN BY JLONG	DATE 08-04-2004	TITLE STACKED SFP 2X4 MEDIUM HEIGHT ASS'Y, PRESS-FIT TAILS WITH LIGHT PIPES		
		3 PLACES ±--- ±---			CHECKED BY JLONG	DATE 08-06-2004	MOLEX INCORPORATED		
		2 PLACES ±0.13 ±--- 1 PLACE ±0.25 ±--- ANGULAR ± 5 °			APPROVED BY RNELSON	DATE 02-15-2005	MATERIAL NO. SEE TABLE	DOCUMENT NO. SD-75450-001	SHEET NO. 2 OF 4
DRAFT WHERE APPLICABLE MUST REMAIN WITHIN DIMENSIONS				SIZE C		THIS DRAWING CONTAINS INFORMATION THAT IS PROPRIETARY TO MOLEX INCORPORATED AND SHOULD NOT BE USED WITHOUT WRITTEN PERMISSION			

12 11 10 9 8 7 6 5 4 3 2 1

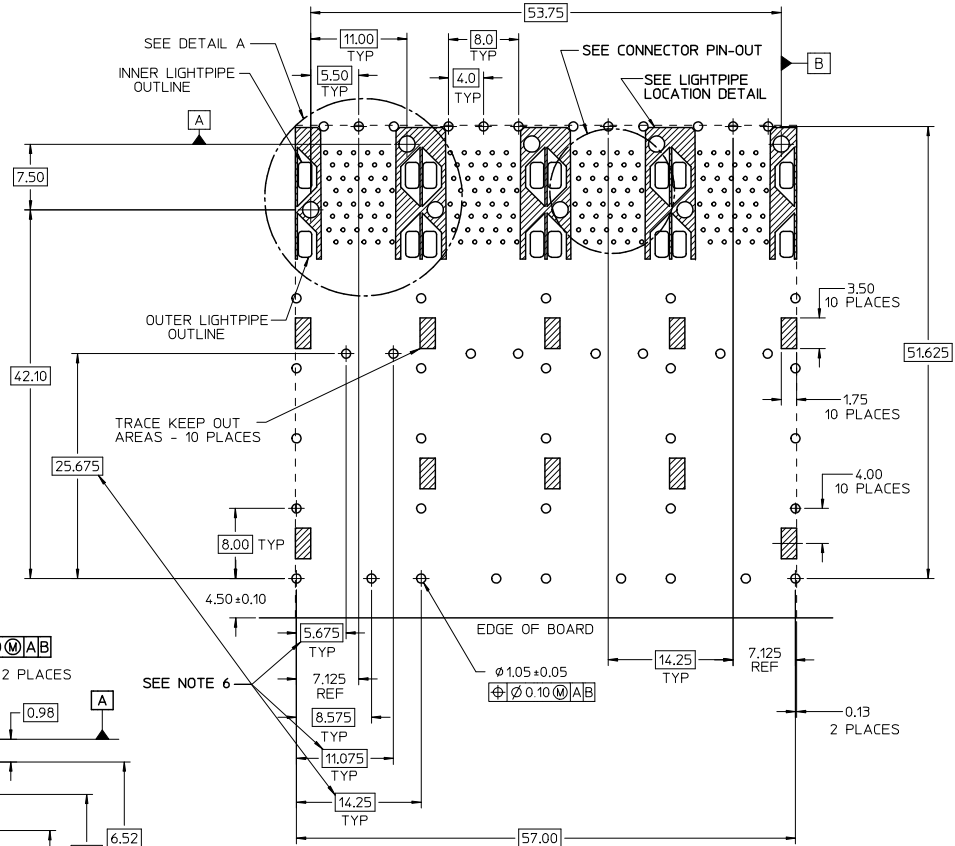
13 12 11 10 9 8 7 6 5 4 3 2 1



CONNECTOR PIN-OUT  
SCALE 6:1



DETAIL A  
SCALE 8:1

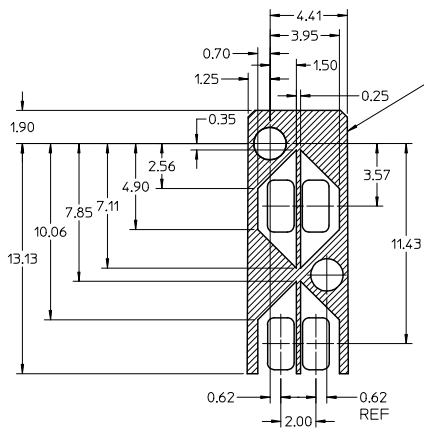


RECOMMENDED PCB LAYOUT - COMPONENT SIDE  
RECOMMENDED PCB THICKNESS - 2.36 MM (.093 INCH)  
THE ENTIRE AREA OF THE CONNECTOR FOOTPRINT  
TO BE CONSIDERED THE KEEP OUT AREA FOR COMPONENTS  
(OTHER THAN LIGHT PIPE LED'S).  
THIS AREA IS INDICATED BY THE DASHED LINE

<b>ADD KEEP OUT ZONES</b> EC NO: UCP2010-0369 6/10/09 G DRWINIS IBARRA CHK:BARBER 2009/08/26 APPR:SHILLER 2009/08/27	<b>QUALITY SYMBOLS</b> ▽=0 ▽=0	<b>GENERAL TOLERANCES (UNLESS SPECIFIED)</b>		<b>DIMENSION STYLE</b>		<b>SCALE</b>		<b>DESIGN UNITS</b>		<b>THIRD ANGLE PROJECTION</b>			
				MM ONLY		3:1		METRIC					
				4 PLACES ± --- ± --- 3 PLACES ± --- ± --- 2 PLACES ± 0.13 ± --- 1 PLACE ± 0.25 ± --- ANGULAR ± 5 °		DRAWN BY: JLONG DATE: 08-04-2004 CHECKED BY: JLONG DATE: 08-06-2004 APPROVED BY: RNELSON DATE: 02-15-2005		TITLE: STACKED SFP 2X4 MEDIUM HEIGHT ASS'Y, PRESS-FIT TAILS WITH LIGHT PIPES		MOLEX INCORPORATED		SHEET NO. 3 OF 4	
		DRAFT WHERE APPLICABLE MUST REMAIN WITHIN DIMENSIONS		SEE TABLE		MATERIAL NO. DATE: 02-15-2005		DOCUMENT NO. SD-75450-001					

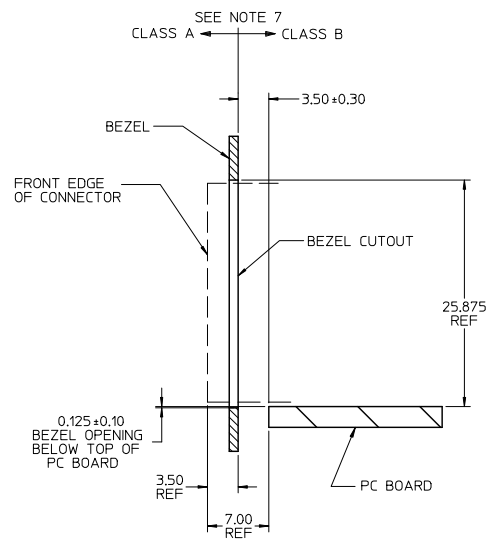
12 11 10 9 8 7 6 5 4 3 2 1

13 12 11 10 9 8 7 6 5 4 3 2 1

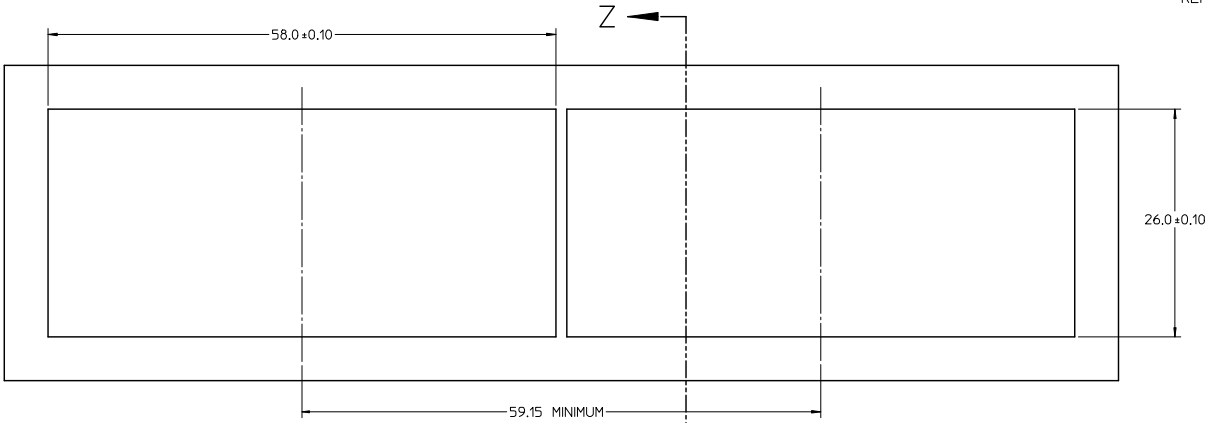


THE HATCHED AREA IN THIS VIEW INDICATES ZONES THAT ARE OCCUPIED BY THE PLASTIC HOUSING THAT SEATS AGAINST THE PCB AND BY THE VERTICAL METAL CAGE WALL THAT STOPS JUST SHORT OF THE PCB

DETAIL - LIGHT PIPE LOCATION AND OTHER ZONES  
SCALE 6:1



SECTION Z-Z  
SCALE 3:1



BEZEL CUTOUT CENTER SPACING DETAIL  
BEZEL THICKNESS 0.8-2.6

SEE SHEET 1 EC. NO. UCP2010-0369 6/10/09 G. DRWINIS IBARRA CHK: CHARKER APPR: SHILLER 2009/08/26 2009/08/27	QUALITY SYMBOLS ▽=0 ▽=0	GENERAL TOLERANCES (UNLESS SPECIFIED)		DIMENSION STYLE		SCALE	DESIGN UNITS	THIRD ANGLE PROJECTION	
			mm	INCH	MM ONLY		3:1		METRIC
		4 PLACES	±---	±---	DRAWN BY	DATE	TITLE		
		3 PLACES	±---	±---	JLONG	08-04-2004	STACKED SFP 2X4 MEDIUM HEIGHT ASS'Y, PRESS-FIT TAILS WITH LIGHT PIPES		
2 PLACES	±0.13	±---	CHECKED BY	DATE					
1 PLACE	±0.25	±---	JLONG	08-06-2004					
ANGULAR ± 5 °				APPROVED BY	DATE	MOLEX INCORPORATED			
DRAFT WHERE APPLICABLE MUST REMAIN WITHIN DIMENSIONS		SEE TABLE		RNELSON	02-15-2005	SD-75450-001			
				MATERIAL NO.	DOCUMENT NO.	SHEET NO.			
				THIS DRAWING CONTAINS INFORMATION THAT IS PROPRIETARY TO MOLEX INCORPORATED AND SHOULD NOT BE USED WITHOUT WRITTEN PERMISSION		4 OF 4			

12 11 10 9 8 7 6 5 4 3 2 1