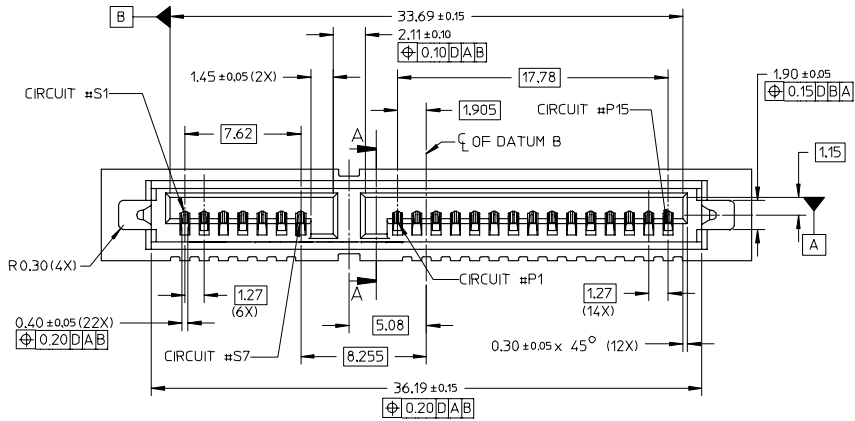
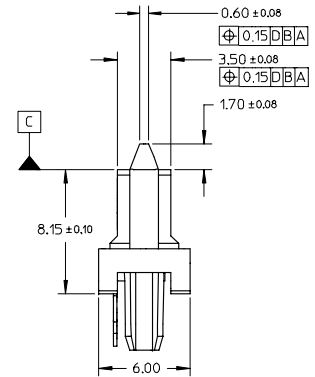
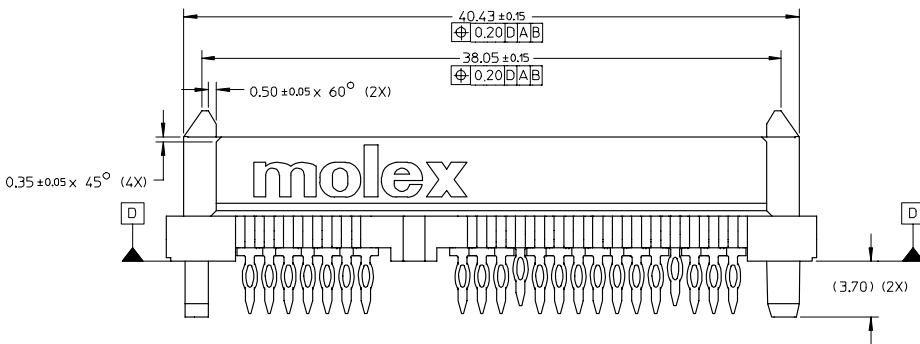


10 9 8 7 6 5 4 3 2 1



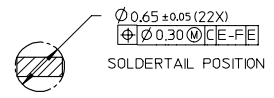
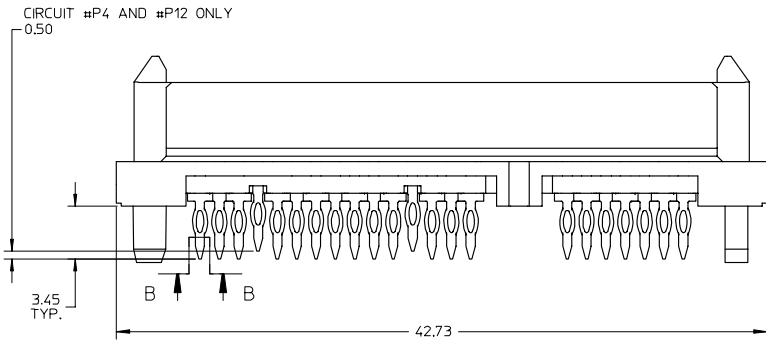
- NOTES:
1. MATERIAL: LCP, GLASS FILLED, UL 94V-0, COLOR: BLACK
TERMINAL: COPPER ALLOY
 2. PLATING
CONTACT: 0.76µm MIN. SELECTIVE GOLD OVER 1.27µm MIN. NICKEL
UNDERPLATE SOLDERTAIL: 2.54µm MIN. TIN OVER 1.27µm MIN. NICKEL
UNDERPLATE
 3. MOLEX LOGO LOCATED APPROXIMATELY AS SHOWN
 4. MAXIMUM WARPAGE OF 0.13 mm OVER THE LENGTH OF THE CONNECTOR
IN ANY DIRECTION BEFORE AND AFTER EXPOSURE TO MAX. 260°C FOR
10 SECONDS
 5. PCB THICKNESS RANGE FROM 1.50 mm TO 2.00 mm
 6. KEEP OUT ZONE ON BOTH SIDE OF PCB FOR CONNECTOR
INSERTION AND EXTRACTION TOOL
 7. PRODUCT SPECIFICATION: PS-87701-033 APPLIES
 8. PACKAGING
30 CONNECTORS PER TRAY



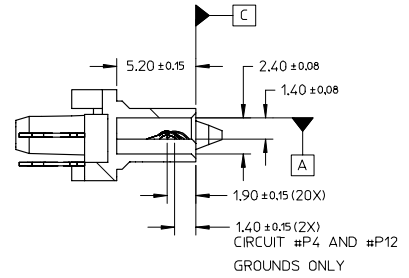
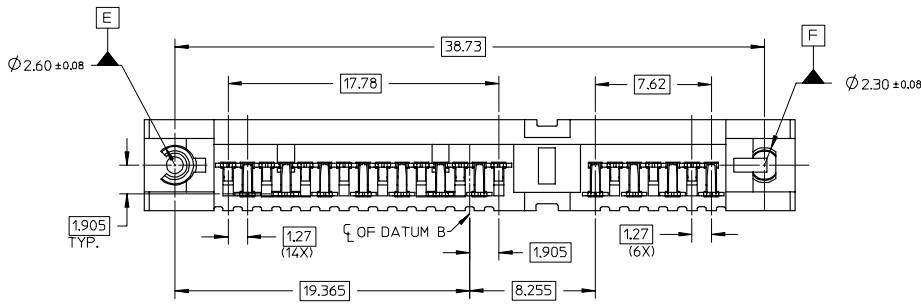
DIM UPDATE EC NO. S2008-0237 DRW: WJLHM CHK: YCGH APPR: KCLING 2007/09/20 2007/09/20 2007/09/20	QUALITY SYMBOLS ▽=0 ▽=0	GENERAL TOLERANCES (UNLESS SPECIFIED)		DIMENSION STYLE MM ONLY	SCALE NTS	DESIGN UNITS METRIC	THIRD ANGLE PROJECTION	
		4 PLACES ± --- ± ---	mm INCH	DRAWN BY DKOH	DATE 2002/07/01	SERIAL ATA BACKPLANE PRESS-FIT STD HEIGHT RECEPTACLE MOLEX MOLEX INCORPORATED		
		3 PLACES ± --- ± ---	± 0.20 ± ---	CHECKED BY KCLING	DATE 2002/07/05			
		2 PLACES ± 0.20 ± ---	± --- ± ---	APPROVED BY SKTOH	DATE 2002/07/05			
1 PLACE ± --- ± ---	± --- ± ---	MATERIAL NO. 87701-1001		DOCUMENT NO. SD-87701-013	SHEET NO. 1 OF 4			
DRAFT WHERE APPLICABLE MUST REMAIN WITHIN DIMENSIONS		ANGULAR ± 3 °		THIS DRAWING CONTAINS INFORMATION THAT IS PROPRIETARY TO MOLEX INCORPORATED AND SHOULD NOT BE USED WITHOUT WRITTEN PERMISSION				

9 8 7 6 5 4 3 2 1

10 9 8 7 6 5 4 3 2 1



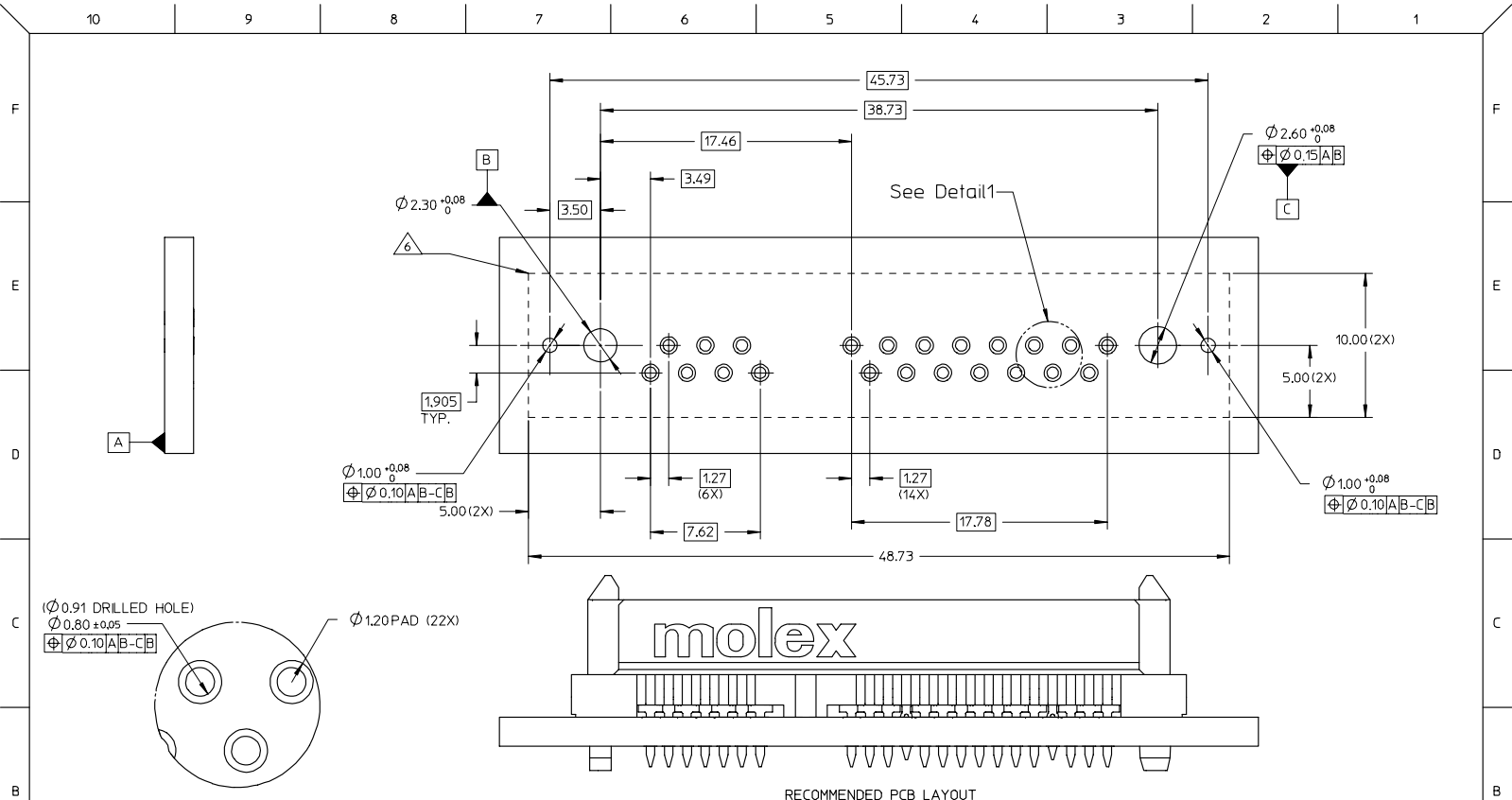
SECTION B-B



SECTION A-A

DIM UPDATE EC NO. S2008-0237 DRW:WHLIM CHK:KJGQH APPR:KCLING 2007/09/20 2007/09/20 2007/09/20	QUALITY SYMBOLS $\nabla=0$ $\nabla=0$	GENERAL TOLERANCES (UNLESS SPECIFIED)		DIMENSION STYLE MM ONLY		SCALE NTS	DESIGN UNITS METRIC	THIRD ANGLE PROJECTION	
		4 PLACES \pm ---	\pm ---	DRAWN BY DKOH	DATE 2002/07/01	SERIAL ATA BACKPLANE PRESS-FIT STD HEIGHT RECEPTACLE MOLEX INCORPORATED			
		3 PLACES \pm ---	\pm ---	CHECKED BY KCLING	DATE 2002/07/05				
		2 PLACES ± 0.20	\pm ---	APPROVED BY SKTOH	DATE 2002/07/05				
1 PLACE \pm ---	\pm ---	MATERIAL NO. 87701-1001		DOCUMENT NO. SD-87701-013	SHEET NO. 2 OF 4				
ANGULAR $\pm 3^\circ$		DRAFT WHERE APPLICABLE MUST REMAIN WITHIN DIMENSIONS		THIS DRAWING CONTAINS INFORMATION THAT IS PROPRIETARY TO MOLEX INCORPORATED AND SHOULD NOT BE USED WITHOUT WRITTEN PERMISSION					

9 8 7 6 5 4 3 2 1



DIM UPDATE EC NO. S2008-0237 DRAWN BY DRW:WHLIM CHKD BY CHK:YCGH APPR:KCLING 2007/09/20 2007/09/20 2007/09/20	DESCRIPTION REV C2	QUALITY SYMBOLS $\nabla=0$ $\nabla=0$	GENERAL TOLERANCES (UNLESS SPECIFIED)		DIMENSION STYLE MM ONLY		SCALE NTS	DESIGN UNITS METRIC	THIRD ANGLE PROJECTION					
			4 PLACES ± --- ± ---	3 PLACES ± --- ± ---	2 PLACES ± 0.20 ± ---	1 PLACE ± --- ± ---	ANGULAR ± 3 °	DRAWN BY DKOH	DATE 2002/07/01	CHECKED BY KCLING	DATE 2002/07/05	APPROVED BY SKTOH	DATE 2002/07/05	TITLE SERIAL ATA BACKPLANE PRESS-FIT STD HEIGHT RECEPTACLE
DRAFT WHERE APPLICABLE MUST REMAIN WITHIN DIMENSIONS			THIS DRAWING CONTAINS INFORMATION THAT IS PROPRIETARY TO MOLEX INCORPORATED AND SHOULD NOT BE USED WITHOUT WRITTEN PERMISSION							MOLEX MOLEX INCORPORATED				

10 9 8 7 6 5 4 3 2 1

F

E

D

C

B

A

F

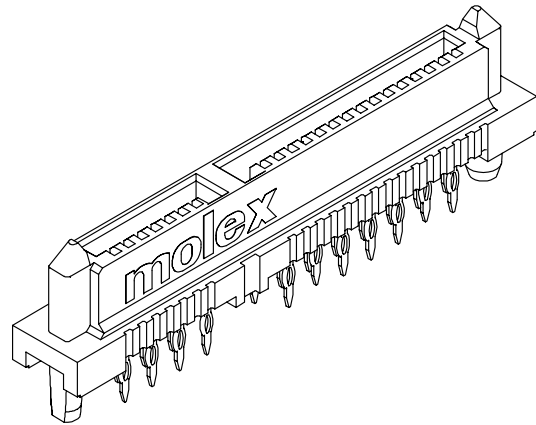
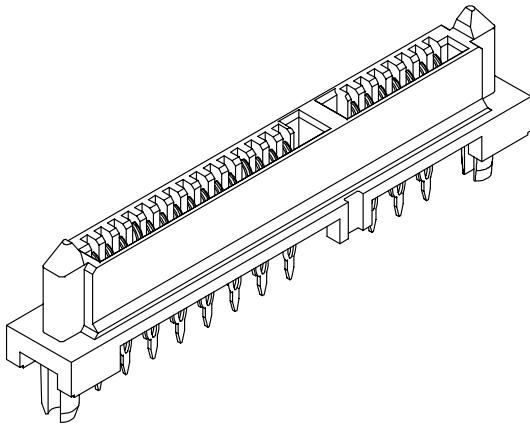
E

D

C

B

A



DIM UPDATE EC NO: S2008-0237 2007/09/20 DRWAHLIM 2007/09/20 CHKX:GQH 2007/09/20 APPR:KCLING	QUALITY SYMBOLS ▽=0 ▽=0	GENERAL TOLERANCES (UNLESS SPECIFIED)		DIMENSION STYLE MM ONLY		SCALE NTS	DESIGN UNITS METRIC	THIRD ANGLE PROJECTION		
		4 PLACES ± --- ± --- 3 PLACES ± --- ± --- 2 PLACES ± 0.20 ± --- 1 PLACE ± --- ± --- ANGULAR ± 3 °	mm INCH	DRAWN BY DKOH	DATE 2002/07/01	TITLE SERIAL ATA BACKPLANE PRESS-FIT STD HEIGHT RECEPTACLE		MOLEX INCORPORATED		
C2 REV	DRAFT WHERE APPLICABLE MUST REMAIN WITHIN DIMENSIONS		CHECKED BY KCLING	DATE 2002/07/05	APPROVED BY SKTOH	DATE 2002/07/05	MATERIAL NO. 87701-1001	DOCUMENT NO. SD-87701-013	SHEET NO. 4 OF 4	
	THIS DRAWING CONTAINS INFORMATION THAT IS PROPRIETARY TO MOLEX INCORPORATED AND SHOULD NOT BE USED WITHOUT WRITTEN PERMISSION		MOLEX INCORPORATED							

fb_frame_A3_P_AM_T
Rev. E 2006/04/15

9 8 7 6 5 4 3 2 1