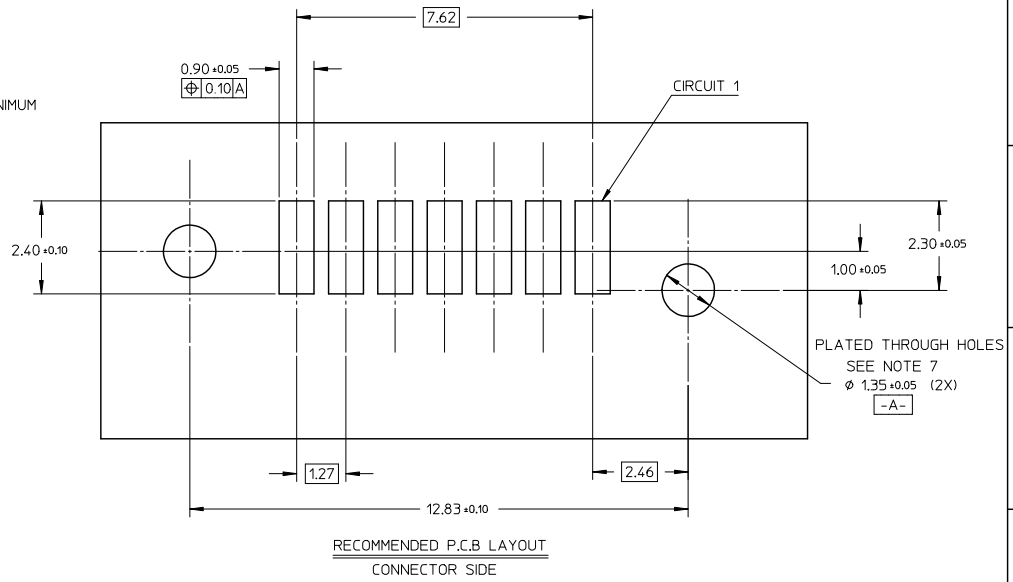


REVISED IEC NO: SH2010-0043 DRAWING NO: 2009/08/07 CHKD: JISONG APPR: RZHANG 2009/08/10 2009/09/13	DESCRIPTION HIGH SPEED CONNECTOR 1.27MM PITCH VERTICAL SMT SOLDER TAIL	QUALITY SYMBOLS	GENERAL TOLERANCES (UNLESS SPECIFIED)	DIMENSION STYLE	SCALE	DESIGN UNITS	THIRD ANGLE PROJECTION
		$\nabla=0$ $\nabla=0$	mm INCH 4 PLACES ± --- ± --- 3 PLACES ± --- ± --- 2 PLACES ± 0.15 ± --- 1 PLACE ± 0.25 ± --- ANGULAR ± 1°	MM ONLY	5:1	METRIC	
		DRAFT WHERE APPLICABLE MUST REMAIN WITHIN DIMENSIONS	DRAWN BY: GRATE MA DATE: 2004/02/02 CHECKED BY: DATE: APPROVED BY: YA JUN DATE: 2004/02/02 SAM	TITLE	HIGH SPEED CONNECTOR 1.27MM PITCH VERTICAL SMT SOLDER TAIL		
		MATERIAL NO. SEE SHEET 2 SIZE: A3 THIS DRAWING CONTAINS INFORMATION THAT IS PROPRIETARY TO MOLEX INCORPORATED AND SHOULD NOT BE USED WITHOUT WRITTEN PERMISSION	MOLEX INCORPORATED DOCUMENT NO. SD-67800-005 SHEET NO. 1 OF 2				

10 | 9 | 8 | 7 | 6 | 5 | 4 | 3 | 2 | 1

- NOTES:
- MATERIAL:
 - HOUSING: HIGH TEMPERATURE THERMAL PLASTIC, GLASS FILLED, UL94V-0, COLOR: REFER TO CHART.
 - TERMINAL: BRASS
 - POST: BRASS
 - TERMINAL PLATING:
 - CONTACT AREA: (a) GOLD FLASH
 - (b) GOLD, THICKNESS=0.76 MICRON MINIMUM
 - (c) GOLD, THICKNESS=0.38 MICRON MINIMUM
 - SOLDER TAIL: TIN, THICKNESS=1.27 MICRON MINIMUM
 - UNDER PLATE: NICKEL PLATED, THICKNESS=1.27 MICRON MINIMUM
 - POST PLATING: UNDER PLATE: NICKEL, THICKNESS=1.25 MICRON MINIMUM
TIN, THICKNESS=1.9 MICRON MINIMUM OVER ALL
 - PACKAGING: PK-67800-001
 - PRODUCT SPECIFICATION REFER TO PS-67491-001
 - RECOMMENDED SOLDERING PROCESS: IR PROCESS
- ⚠ METAL POSTS TO BE SOLDERED TO PCB



678005025	SEE NOTE2(c)			PURE TIN
678005022	SEE NOTE2(b)	BLACK	3.45	
678005021	SEE NOTE2(g)			
678005015	SEE NOTE2(c)			
678005012	SEE NOTE2(b)	BLACK	3.05	
678005011	SEE NOTE2(a)			
678005005	SEE NOTE2(c)	BLACK	2.65	
678005004	SEE NOTE2(c)	YELLOW		
678005003	SEE NOTE2(c)	BLUE		
678005002	SEE NOTE2(b)			
678005001	SEE NOTE2(g)	BLACK		
MATERIAL NO	PLATING TYPE	HOUSING COLOR	DIM A	REMARK

REVISED E.C. NO: SH2010-0043 DRAWING: 2009/08/07 CHK: CHYKX/LSONG APPR: ZHANG 2009/08/10 2009/09/13	DESCRIPTION REV	QUALITY SYMBOLS	GENERAL TOLERANCES (UNLESS SPECIFIED)	DIMENSION STYLE	SCALE	DESIGN UNITS	THIRD ANGLE PROJECTION																											
		$\nabla=0$ $\nabla=0$	<table border="1"> <tr> <th></th> <th>mm</th> <th>INCH</th> </tr> <tr> <td>4 PLACES</td> <td>± ---</td> <td>± ---</td> </tr> <tr> <td>3 PLACES</td> <td>± ---</td> <td>± ---</td> </tr> <tr> <td>2 PLACES</td> <td>± 0.15</td> <td>± ---</td> </tr> <tr> <td>1 PLACE</td> <td>± 0.25</td> <td>± ---</td> </tr> </table>		mm	INCH	4 PLACES	± ---	± ---	3 PLACES	± ---	± ---	2 PLACES	± 0.15	± ---	1 PLACE	± 0.25	± ---	MM ONLY	5:1	METRIC	<table border="1"> <tr> <td>DRAWN BY</td> <td>DATE</td> </tr> <tr> <td>GRATE MA</td> <td>2004/02/02</td> </tr> <tr> <td>CHECKED BY</td> <td>DATE</td> </tr> <tr> <td>YA JUN</td> <td>2004/02/02</td> </tr> <tr> <td>APPROVED BY</td> <td>DATE</td> </tr> <tr> <td>SAM</td> <td>2004/02/02</td> </tr> </table>	DRAWN BY	DATE	GRATE MA	2004/02/02	CHECKED BY	DATE	YA JUN	2004/02/02	APPROVED BY	DATE	SAM	2004/02/02
			mm	INCH																														
		4 PLACES	± ---	± ---																														
3 PLACES	± ---	± ---																																
2 PLACES	± 0.15	± ---																																
1 PLACE	± 0.25	± ---																																
DRAWN BY	DATE																																	
GRATE MA	2004/02/02																																	
CHECKED BY	DATE																																	
YA JUN	2004/02/02																																	
APPROVED BY	DATE																																	
SAM	2004/02/02																																	
DRAFT WHERE APPLICABLE MUST REMAIN WITHIN DIMENSIONS		<table border="1"> <tr> <td>TITLE</td> <td>SHEET NO.</td> </tr> <tr> <td>HIGH SPEED CONNECTOR 1.27MM PITCH VERTICAL SMT SOLDER TAIL</td> <td>2 OF 2</td> </tr> </table>	TITLE	SHEET NO.	HIGH SPEED CONNECTOR 1.27MM PITCH VERTICAL SMT SOLDER TAIL	2 OF 2																												
TITLE	SHEET NO.																																	
HIGH SPEED CONNECTOR 1.27MM PITCH VERTICAL SMT SOLDER TAIL	2 OF 2																																	
MATERIAL NO. SEE CHART		<table border="1"> <tr> <td>DOCUMENT NO.</td> <td></td> </tr> <tr> <td>SD-67800-005</td> <td></td> </tr> </table>	DOCUMENT NO.		SD-67800-005																													
DOCUMENT NO.																																		
SD-67800-005																																		

10 | 9 | 8 | 7 | 6 | 5 | 4 | 3 | 2 | 1

ib_frame_A3_P_AM.T
Rev. E 2006/04/15