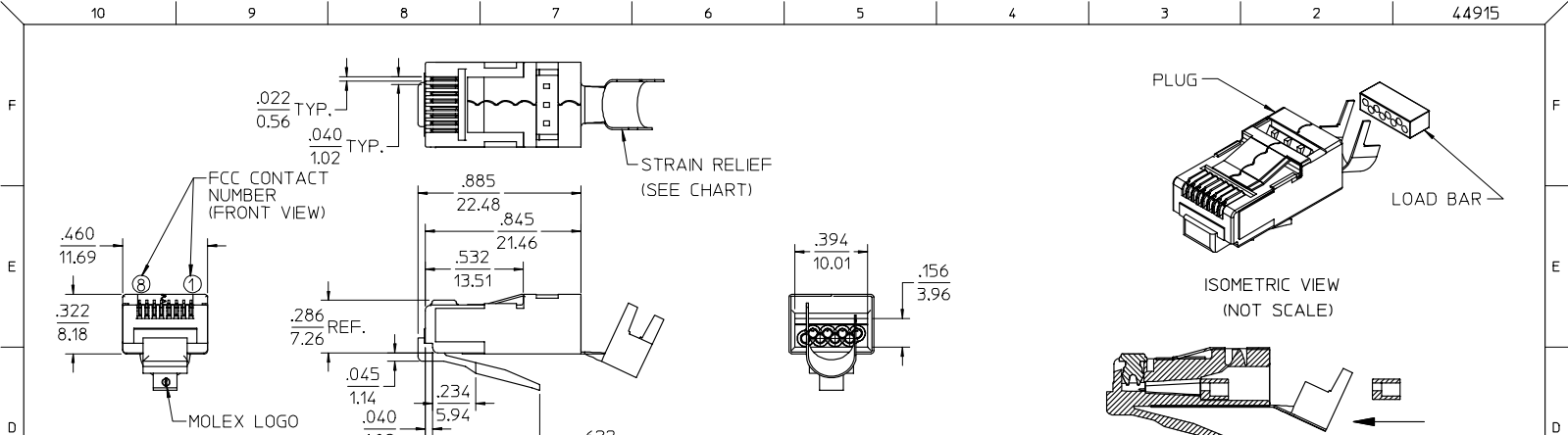


- NOTES:
1. MATERIAL:
PLUG: POLYCARBONATE, 94V-0, COLOR: CLEAR.
LOAD BAR: POLYCARBONATE, 94V-0, COLOR: CLEAR,
CONTACTS: PHOSPHOR BRONZE.
 2. CONTACT PLATING:
50 MICROINCHES / 1.27 MICROMETERS MIN. SELECT GOLD OVER
100 MICROINCHES / 2.54 MICROMETERS MIN. NICKEL UNDERPLATE.
 3. PRODUCT SPECIFICATION: PS-44915-003
 4. PACKAGING SPECIFICATION:
ALL PARTS ARE BULK PACKED PER MOLEX PACKAGING
SPECIFICATION PK-44915-003.
 5. FOR USE WITH 22 TO 28 AWG SOLID OR STRANDED
CONDUCTORS WITH AN INSULATION O.D. RANGE OF .037/0.94 -
.042/1.07 AND A JACKET O.D. OF .217/5.5 - .256/6.5.
 6. EIGHT CONDUCTOR MODULAR PLUG, CONFORMS TO F.C.C.
REGULATION PART 68.5 FOR MODULAR PLUGS.
 7. PLUG REQUIRES THE LOAD BAR.
 8. ALL UNTOLERANCED DIMENSIONS ARE FOR REFERENCE ONLY.
 9. PLUG EXCEEDS CATEGORY 5 EIA/TIA 2840, ANNEX B
SPECIFICATION, PERFORMANCE TUNED TO CABLES MEETING
PROPOSED CATEGORY 6 SPECIFICATIONS.
 10. THE PRIMARY SHIPPING CARTON WILL BE LABELED *COMPLIANT
TO RoHS DIRECTIVE 2002/95/EC AND ELV ANNEX II OF
DIRECTIVE 2000/53/EC*. CARTONS WITHOUT THIS LABEL
MAY NOT BE COMPLIANT.
 11. THIS PART CONFORMS TO CLASS B REQUIREMENTS OF
COSMETIC SPECIFICATION PS-45499-002.

MATERIAL NUMBER	MOLEX LOGO
449150001	YES
449150002	NO

UPDATE NOTE 5 EC NO: UCP2007-1736 DRAWN: BELL 2007/01/29 CHECKED: SCHMIDT 2007/01/30 APPROVED: SMITH 2007/02/01 REV: A5	QUALITY SYMBOLS ▽=0 ▽=0	GENERAL TOLERANCES (UNLESS SPECIFIED)		DIMENSION STYLE IN/MM		SCALE 2:1	DESIGN UNITS INCH	THIRD ANGLE PROJECTION		
		4 PLACES ± --- ± ---	3 PLACES ± --- ± ---	2 PLACES ± --- ± ---	1 PLACE ± --- ± ---	DRAWN BY MARGULIS	DATE 01/01/12	TITLE RJ-45 PLUG FOR PROPOSED CAT 6 SPECIFICATIONS		
		ANGULAR ±1/2°				CHECKED BY MARGULIS	DATE 01/01/12			
		DRAFT WHERE APPLICABLE MUST REMAIN WITHIN DIMENSIONS				APPROVED BY COMERC I	DATE 01/01/12	MOLEX INCORPORATED		
				MATERIAL NO. SEE CHART	DOCUMENT NO. SD-44915-001	SHEET NO. 1 OF 2				



- NOTES:
1. MATERIAL:
PLUG: POLYCARBONATE, 94V-0, COLOR: CLEAR,
LOAD BAR: POLYCARBONATE, 94V-0, COLOR: CLEAR,
CONTACTS: PHOSPHOR BRONZE,
SHIELD: BRASS.
 2. CONTACT PLATING:
50 MICROINCHES / 1.27 MICROMETERS MIN. SELECT GOLD OVER
100 MICROINCHES / 2.54 MICROMETERS MIN. NICKEL UNDERPLATE.
SHIELD:
100 MICROINCHES / 2.54 MICROMETERS BRIGHT TIN OVER
30 MICROINCHES / 0.76 MICROMETERS COPPER UNDERPLATE.
 3. PRODUCT SPECIFICATION: PS-44915-003
 4. PACKAGING SPECIFICATION:
ALL PARTS ARE BULK PACKED PER MOLEX PACKAGING
SPECIFICATION PK-44915-003.
 5. FOR USE WITH 22 TO 28 AWG SOLID OR STRANDED
CONDUCTORS WITH AN INSULATION O.D. RANGE OF .037/0.94 -
.042/1.07 AND A JACKET O.D. OF .217/5.5 - .256/6.5.
 6. EIGHT CONDUCTOR MODULAR PLUG CONFORMS TO F.C.C.
REGULATION PART 68.5 FOR MODULAR PLUGS.
 7. PLUG REQUIRES THE LOAD BAR.
 8. ALL UNTOLERANCED DIMENSIONS ARE FOR REFERENCE ONLY.
 9. PLUG EXCEEDS CATEGORY 5 EIA/TIA 2840, ANNEX B
SPECIFICATION, PERFORMANCE TUNED TO CABLES MEETING
PROPOSED CATEGORY 6 SPECIFICATIONS.
 10. THE PRIMARY SHIPPING CARTON WILL BE LABELED "COMPLIANT
TO RoHS DIRECTIVE 2002/95/EC AND ELV ANNEX II OF
DIRECTIVE 2000/53/EC". CARTONS WITHOUT THIS LABEL
MAY CONTAIN PRODUCT WITH TIN-LEAD IN THE SHIELD.
 11. THIS PART CONFORMS TO CLASS B REQUIREMENTS OF
COSMETIC SPECIFICATION PS-45499-002.

MATERIAL NUMBER	MOLEX LOGO	STRAIN RELIEF
449150011	YES	NO
449150012	NO	NO
449150021	YES	YES
449150022	NO	YES

UPDATE NOTE 2 & 5 EC NO: UCP2007-1736 DRAWN: BELL 2007/01/29 CHECKED: SCHMIDT 2007/01/30 APPROVED: SMITH 2007/02/01 REV A5	QUALITY SYMBOLS ▽=0 ▽=0	GENERAL TOLERANCES (UNLESS SPECIFIED) <table border="1"> <thead> <tr> <th></th> <th>mm</th> <th>INCH</th> </tr> </thead> <tbody> <tr> <td>4 PLACES</td> <td>± .---</td> <td>± .---</td> </tr> <tr> <td>3 PLACES</td> <td>± .---</td> <td>± .---</td> </tr> <tr> <td>2 PLACES</td> <td>± .---</td> <td>± .---</td> </tr> <tr> <td>1 PLACE</td> <td>± .---</td> <td>± .---</td> </tr> </tbody> </table> ANGULAR ±1/2°		mm	INCH	4 PLACES	± .---	± .---	3 PLACES	± .---	± .---	2 PLACES	± .---	± .---	1 PLACE	± .---	± .---	DIMENSION STYLE IN/MM DRAWN BY MARGULIS DATE 01/01/12 CHECKED BY MARGULIS DATE 01/01/12 APPROVED BY COMERC I DATE 01/01/12 MATERIAL NO. SEE CHART	SCALE 2:1 DESIGN UNITS INCH THIRD ANGLE PROJECTION	TITLE RJ-45 PLUG FOR PROPOSED CAT 6 SPECIFICATIONS MOLEX INCORPORATED DOCUMENT NO. SD-44915-001 SHEET NO. 2 OF 2
		mm	INCH																	
	4 PLACES	± .---	± .---																	
	3 PLACES	± .---	± .---																	
2 PLACES	± .---	± .---																		
1 PLACE	± .---	± .---																		
DRAFT WHERE APPLICABLE MUST REMAIN WITHIN DIMENSIONS		THIS DRAWING CONTAINS INFORMATION THAT IS PROPRIETARY TO MOLEX INCORPORATED AND SHOULD NOT BE USED WITHOUT WRITTEN PERMISSION																		