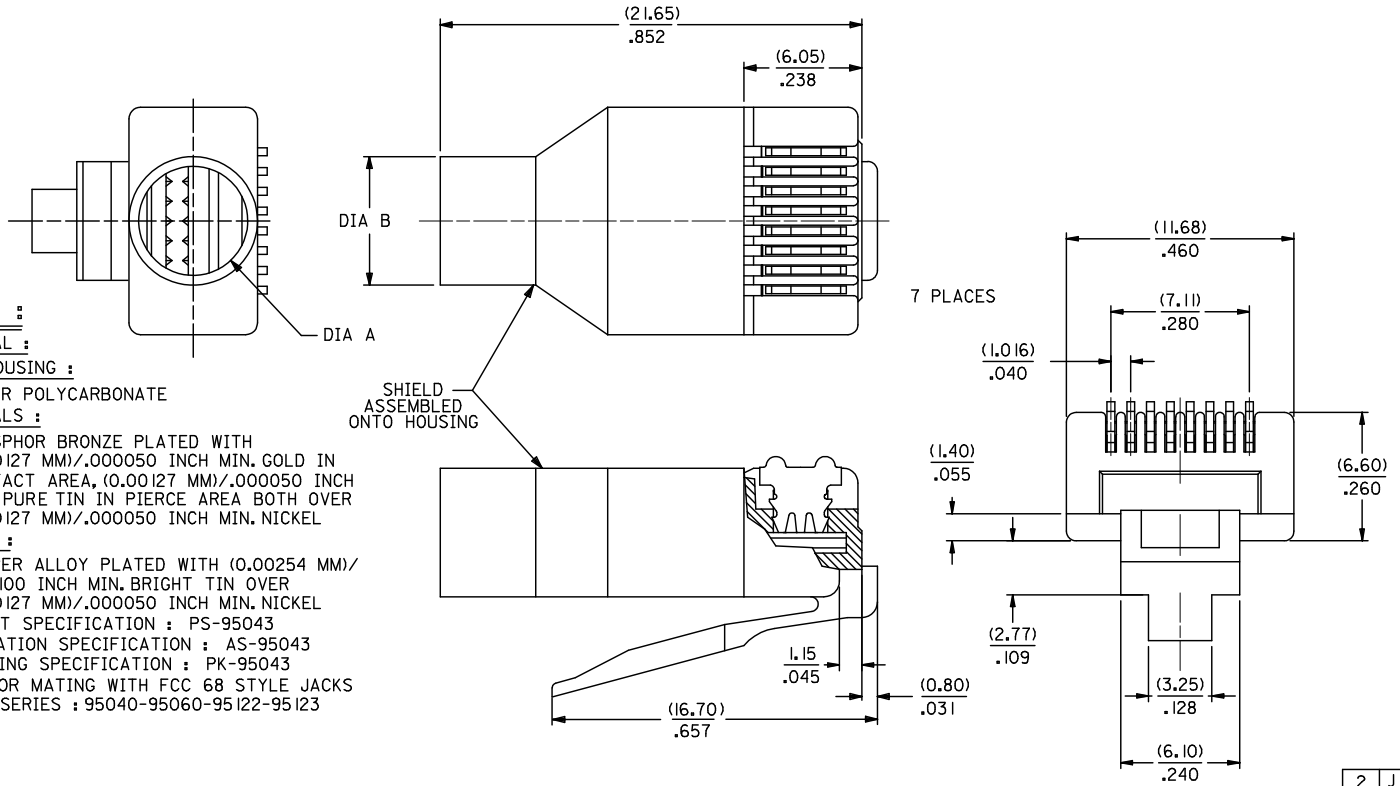


10 9 8 7 6 5 4 3 2 1

NOTES :

- 1- MATERIAL :
 PLUG HOUSING : CLEAR POLYCARBONATE
 TERMINALS : PHOSPHOR BRONZE PLATED WITH (0.00127 MM)/.000050 INCH MIN. GOLD IN CONTACT AREA, (0.00127 MM)/.000050 INCH MIN. PURE TIN IN PIERCE AREA BOTH OVER (0.00127 MM)/.000050 INCH MIN. NICKEL
 SHIELD : COPPER ALLOY PLATED WITH (0.00254 MM)/.000100 INCH MIN. BRIGHT TIN OVER (0.00127 MM)/.000050 INCH MIN. NICKEL
- 2- PRODUCT SPECIFICATION : PS-95043
- 3- APPLICATION SPECIFICATION : AS-95043
- 4- PACKAGING SPECIFICATION : PK-95043
- 5- PLUG FOR MATING WITH FCC 68 STYLE JACKS
 MOLEX SERIES : 95040-95060-95122-95123



2	J
1	K

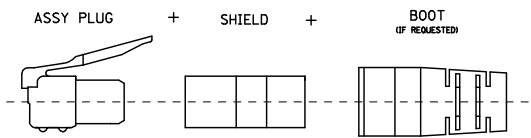
SEE SHEET 2 EC NO: E2009-0512 DR: WINDCARTON CHKD: 2009/04/17 APPR: WALLACE 2009/04/17	QUALITY SYMBOLS	GENERAL TOLERANCES (UNLESS SPECIFIED) <table border="1"> <tr> <th></th> <th>mm</th> <th>INCH</th> </tr> <tr> <td>4 PLACES</td> <td>± .005</td> <td>± .0002</td> </tr> <tr> <td>3 PLACES</td> <td>± .010</td> <td>± .0004</td> </tr> <tr> <td>2 PLACES</td> <td>± 0.25</td> <td>± .010</td> </tr> <tr> <td>1 PLACE</td> <td>± 0.35</td> <td>± .014</td> </tr> <tr> <td colspan="3">ANGULAR ± 2 °</td> </tr> </table>		mm	INCH	4 PLACES	± .005	± .0002	3 PLACES	± .010	± .0004	2 PLACES	± 0.25	± .010	1 PLACE	± 0.35	± .014	ANGULAR ± 2 °			DIMENSION STYLE	SCALE	DESIGN UNITS	THIRD ANGLE PROJECTION
			mm	INCH																				
	4 PLACES		± .005	± .0002																				
	3 PLACES		± .010	± .0004																				
2 PLACES	± 0.25	± .010																						
1 PLACE	± 0.35	± .014																						
ANGULAR ± 2 °																								
	MM/IN	1:1	METRIC	DRAWN BY: CB CHECKED BY: TB APPROVED BY: FB DATE:	TITLE: SHIELDED MODULAR PLUG 8 POSITION FOR ROUND CABLE MOLEX INCORPORATED																			
	DRAFT WHERE APPLICABLE MUST REMAIN WITHIN DIMENSIONS	MATERIAL NO. SEE SHEET 2 SIZE A3	DOCUMENT NO. SDA-95043	SHEET NO. 1 OF 2																				
THIS DRAWING CONTAINS INFORMATION THAT IS PROPRIETARY TO MOLEX INCORPORATED AND SHOULD NOT BE USED WITHOUT WRITTEN PERMISSION																								

9 8 7 6 5 4 3 2 1

10 | 9 | 8 | 7 | 6 | 5 | 4 | 3 | 2 | 1

ASSEMBLY PART NUMBER	TOOLED	CABLE DIAMETER	BOOT		DIM A	DIM B	'MG' MARK	PARTS/ UNIT	PACKAGING VERSION	
			COLOR	RAL NBR						
95043-1881	YES	(5.10-5.60)/.200-.220	NO	N/A	N/A	(5.60)/.220	(6.60)/.260	NO	1	A
95043-2881	YES	↑	NO	N/A	N/A	↑	↑	YES	1	A
95043-2891	YES	↑	YES	BLACK	9005	↑	↑	YES	1	A
95043-2892	YES	↑	YES	GREY	7012	↑	↑	YES	1	A
95043-2893	YES	↑	YES	GREEN	6016	↑	↑	YES	1	A
95043-2894	YES	↑	YES	RED	3000	↑	↑	YES	1	A
95043-2895	YES	↑	YES	YELLOW	1021	↑	↑	YES	1	A
95043-2896	YES	↑	YES	BLUE	5015	↑	↑	YES	1	A
95043-3891	YES	↓	YES	BLACK	9005	↓	↓	YES	1000	A
95043-6891	YES	(5.10-5.60)/.200-.220	YES	BLACK	9005	(5.60)/.220	(6.60)/.260	YES	5	B
95043-4881	YES	(5.60-6.20)/.220-.244	NO	N/A	N/A	(6.20)/.244	(7.20)/.283	NO	1	A
95043-5881	YES	↑	NO	N/A	N/A	↑	↑	YES	1	A
95043-5891	YES	↑	YES	BLACK	9005	↑	↑	YES	1	A
95043-5892	YES	↑	YES	GREY	7012	↑	↑	YES	1	A
95043-5893	YES	↑	YES	GREEN	6016	↑	↑	YES	1	A
95043-5894	YES	↑	YES	RED	3000	↑	↑	YES	1	A
95043-5895	YES	↑	YES	YELLOW	1021	↑	↑	YES	1	A
95043-5896	YES	↓	YES	BLUE	5015	↓	↓	YES	1	A
95043-5897	YES	(5.60-6.20)/.220-.244	YES	BLACK	9005	(6.20)/.244	(7.20)/.283	YES	1	C

SHIELDED PLUG COMPOSITION



ADDED OPTION EIC NO: E22009-0512 DRWNG: CARTON CHKD: 2009/04/17 APPR: WALLACE 2009/04/17 DESCRIPTION REV	QUALITY SYMBOLS ▽=0 ▽=0	GENERAL TOLERANCES (UNLESS SPECIFIED) <table border="1"> <tr> <th></th> <th>mm</th> <th>INCH</th> </tr> <tr> <td>4 PLACES</td> <td>± .010</td> <td>± .0004</td> </tr> <tr> <td>3 PLACES</td> <td>± .015</td> <td>± .0006</td> </tr> <tr> <td>2 PLACES</td> <td>± .025</td> <td>± .0010</td> </tr> <tr> <td>1 PLACE</td> <td>± .035</td> <td>± .0014</td> </tr> <tr> <td colspan="3">ANGULAR ± 2 °</td> </tr> </table>		mm	INCH	4 PLACES	± .010	± .0004	3 PLACES	± .015	± .0006	2 PLACES	± .025	± .0010	1 PLACE	± .035	± .0014	ANGULAR ± 2 °			DIMENSION STYLE MM/IN DRAWN BY: CB DATE: CHECKED BY: TB DATE: APPROVED BY: FB DATE:	SCALE 1:1 DESIGN UNITS METRIC THIRD ANGLE PROJECTION	TITLE SHIELDED MODULAR PLUG 8 POSITION FOR ROUND CABLE MOLEX INCORPORATED
		mm	INCH																				
	4 PLACES	± .010	± .0004																				
	3 PLACES	± .015	± .0006																				
2 PLACES	± .025	± .0010																					
1 PLACE	± .035	± .0014																					
ANGULAR ± 2 °																							
DRAFT WHERE APPLICABLE MUST REMAIN WITHIN DIMENSIONS	MATERIAL NO. SEE CHART	DOCUMENT NO. SDA-95043	SHEET NO. 2 OF 2																				
THIS DRAWING CONTAINS INFORMATION THAT IS PROPRIETARY TO MOLEX INCORPORATED AND SHOULD NOT BE USED WITHOUT WRITTEN PERMISSION																							
		SIZE A3																					

ib_frame_A3_P_ME_T
Rev. D 2004/04/02

9 | 8 | 7 | 6 | 5 | 4 | 3 | 2 | 1