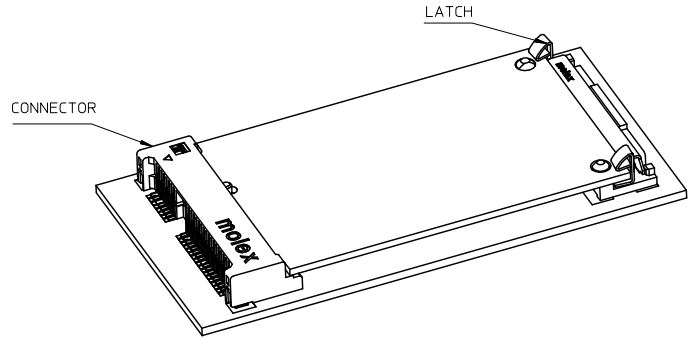
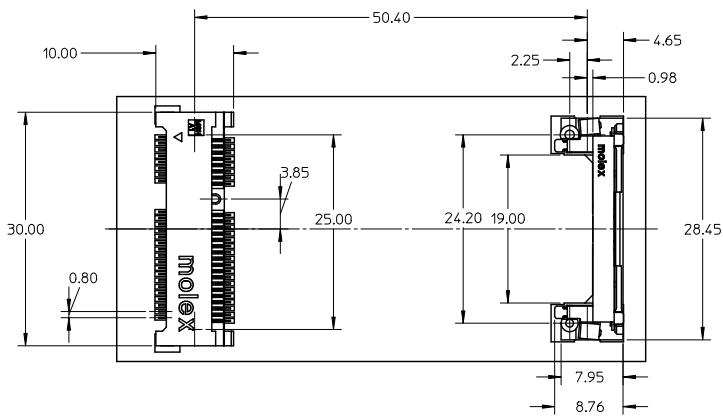
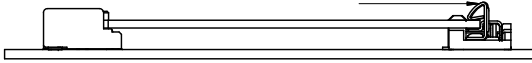


10 9 8 7 6 5 4 3 2 1



PUSH LATCH TO RELEASE MODULE



QUALITY SYMBOLS	
	=0
	=0

REV	DESCRIPTION
1	REVISION
2	REVISED
3	EC NO: S2010-0835
4	DRW: WANG25 2010/04/05
5	CHK: HARVEY 2005/12/14
6	APP: NAGESHKN 2010/04/07

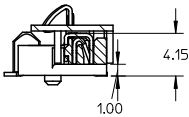
QUALITY SYMBOLS	DESCRIPTION
	=0
	=0
	=0

GENERAL TOLERANCES (UNLESS SPECIFIED)	
	mm
4 PLACES	± 0.25
3 PLACES	± 0.25
2 PLACES	± 0.25
1 PLACE	± 0.25
ANGULAR ± 3°	

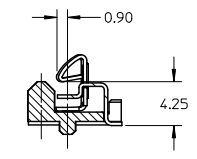
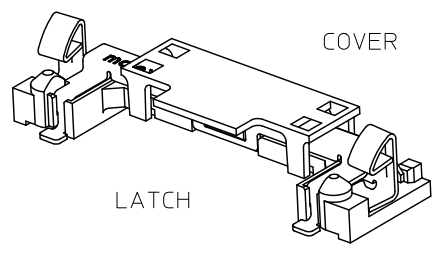
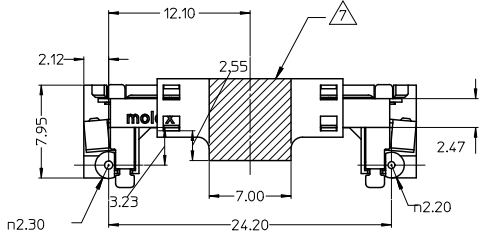
DIMENSION STYLE	
MM ONLY	
DRAWN BY	DAVID HU
DATE	2005/12/14
CHECKED BY	HARVEY
DATE	2005/12/14
APPROVED BY	NAGESHKN
DATE	2010/04/07
MATERIAL NO.	480995701

SCALE	DESIGN UNITS	THIRD ANGLE PROJECTION
NTS	METRIC	
TITLE: LATCH FOR MINI PCI-E 0.8MM PITCH 52 CIRCUIT LEAD-FREE		
MOLEX INCORPORATED		
DOCUMENT NO.	SD-48099-006	SHEET NO. 1 OF 3

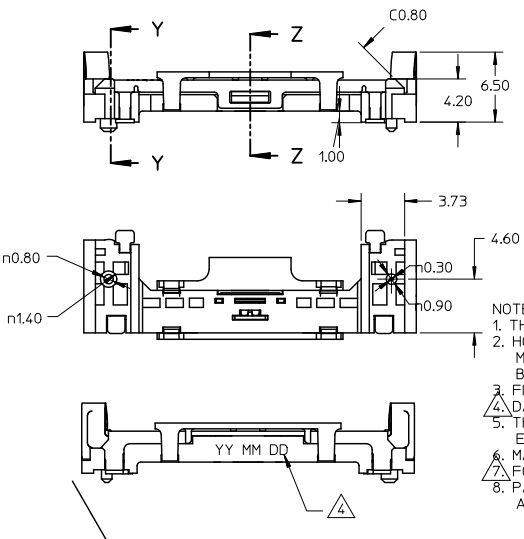
9 8 7 6 5 4 3 2 1



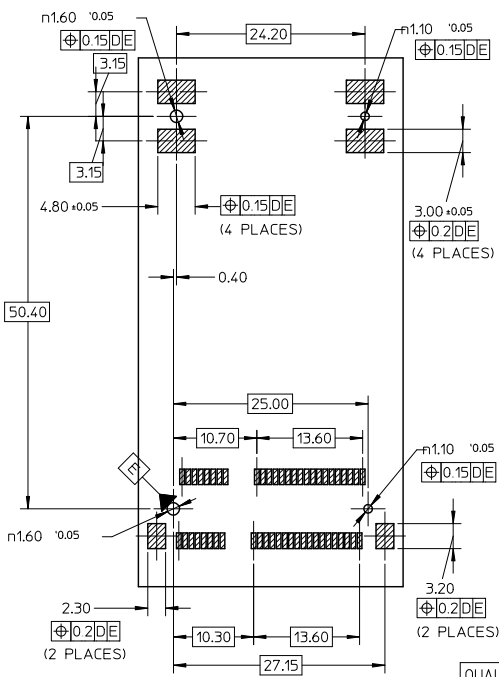
SECTION Z-Z
Scale 3:1



SECTION Y-Y
Scale 3:1



- NOTES:
- THIS LATCH USES WITH MINIPCI EXPRESS CONN.
 - HOUSING:PA46 GLASS FILLED.COLOR:BLACK UL94V-0 METAL SHELL:STAINLESS STEEL,THICKNESS:0.3MM BEAM:STAINLESS STEEL,THICKNESS:0.3MM
 - FINISH:GOLD FLASH PLATED IN SOLDER AREA.
 - DATE CODE:YY:YEAR MM:MONTH DD:DATE
 - THE MODULE CARD REFERS TO MINI PCI EXPRESS CARD ELECTROMECHANICAL SPECIFICATION.
 - MATCHED CONNECTOR:67910 SERIES.
 - FOR PICK AND PLACE AREA.
 - PART 48099-5701 COMPLIANT TO ROHS DIRECTIVE 2002/95/EC AND ELV DIRECTIVE 2000/53/EC.



DATUM D IS THE TOP SURFACE OF PCB

RECOMMENDED PCB LAYOUT

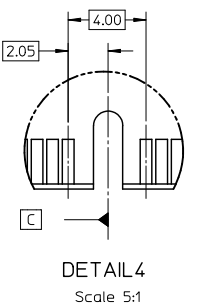
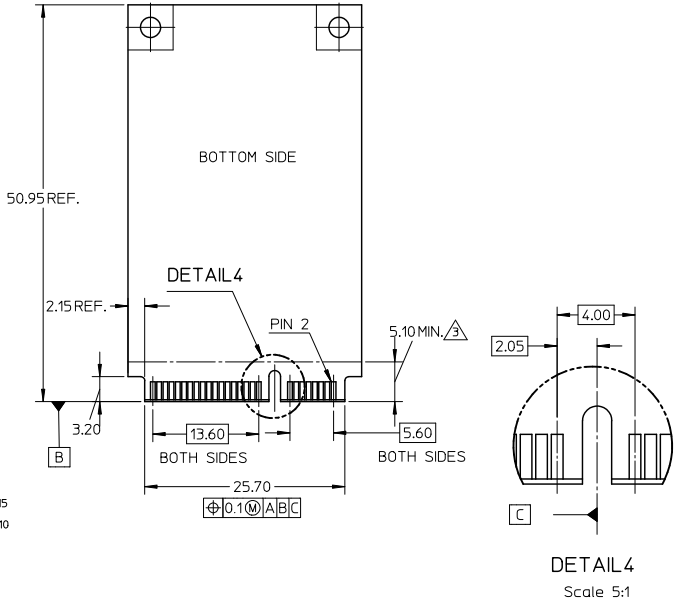
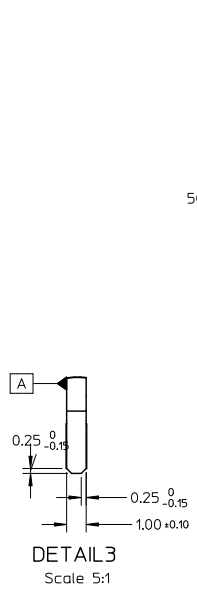
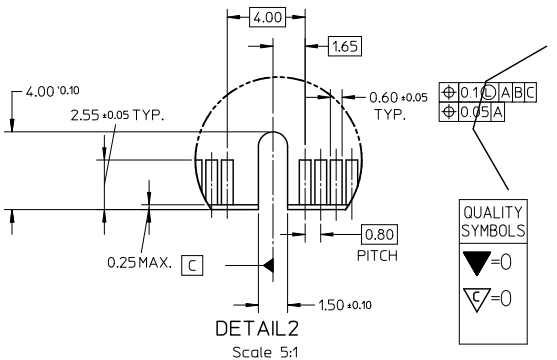
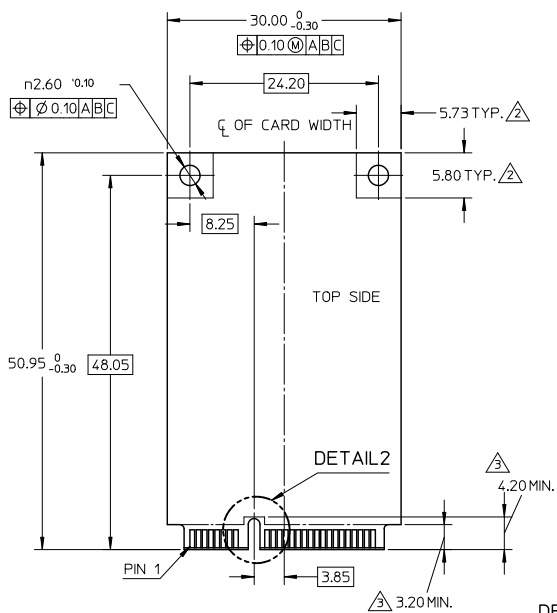
QUALITY SYMBOLS

$\nabla=0$
$\nabla=0$

REVISED EC NO: S2010-0835 DRAWN: WANGZS 2010/04/05 CHECKED: HARVEY 2005/12/14 APPROVED: NAGESHKN 2010/04/07	QUALITY SYMBOLS $\nabla=0$ $\nabla=0$ $\nabla=0$	GENERAL TOLERANCES (UNLESS SPECIFIED)		DIMENSION STYLE MM ONLY		SCALE	DESIGN UNITS	THIRD ANGLE PROJECTION		
		mm	INCH	DAVID HU	DATE	NTS	METRIC	TITLE LATCH FOR MINIPCI-E 0.8MM PITCH 52 CIRCUIT LEAD-FREE		
G REV DESCRIPTION	4 PLACES ± --- ± --- 3 PLACES ± --- ± --- 2 PLACES ± 0.25 ± --- 1 PLACE ± 0.25 ± --- ANGULAR ± 3°	DRAFT WHERE APPLICABLE MUST REMAIN WITHIN DIMENSIONS		DRAWN BY DAVID HU	DATE 2005/12/14	MOLEX INCORPORATED				
		MATERIAL NO. 480995701		CHECKED BY HARVEY		DATE 2005/12/14		DOCUMENT NO. SD-48099-006		SHEET NO. 2 OF 3
		SIZE A3		THIS DRAWING CONTAINS INFORMATION THAT IS PROPRIETARY TO MOLEX INCORPORATED AND SHOULD NOT BE USED WITHOUT WRITTEN PERMISSION						

10 | 9 | 8 | 7 | 6 | 5 | 4 | 3 | 2 | 1

NOTES:
 1. PIN NUMBERING REFERENCE:
 ODD PINS-TOP SIDE
 EVEN PINS-BOTTOM SIDE
 COMPONENT AND ROUTING(ALL LAYERS)
 KEEP OUT AREA FOR HOLD DOWN SOLUTIONS
 COMPONENT KEEP OUT AREA FOR CONNECTOR



REVISED EC NO: S2010-0835 G DRW:WANG25 CHK:CHAREY APPR:NAGESHKN 2010/04/05 2005/12/14 2010/04/07	DESCRIPTION	QUALITY SYMBOLS	GENERAL TOLERANCES (UNLESS SPECIFIED)	DIMENSION STYLE	SCALE	DESIGN UNITS	THIRD ANGLE PROJECTION
		▽=0 ▽=0 ▽=0	mm INCH	MM ONLY	NTS	METRIC	
			4 PLACES ± --- ± ---	DRAWN BY	DATE	TITLE	
			3 PLACES ± --- ± ---	DAVID HU	2005/12/14	LATCH FOR MINIPCI-E 0.8MM PITCH 52 CIRCUIT LEAD-FREE	
			2 PLACES ± 0.25 ± ---	CHECKED BY	DATE		
			1 PLACE ± 0.25 ± ---	HARVEY	2005/12/14		
			ANGULAR ± 3°	APPROVED BY	DATE		
			DRAFT WHERE APPLICABLE MUST REMAIN WITHIN DIMENSIONS	NAGESHKN	2010/04/07		
				MATERIAL NO.	DOCUMENT NO.		
				480995701	SD-48099-006		
				SIZE			
				A3			

tb_frame_A3_P_AM_T
 Rev. F 2009/06/18

9 | 8 | 7 | 6 | 5 | 4 | 3 | 2 | 1