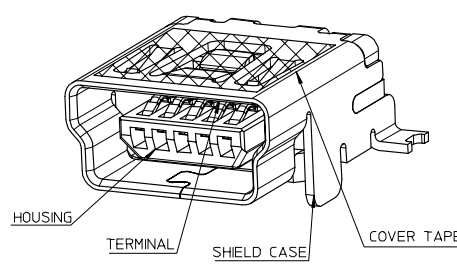
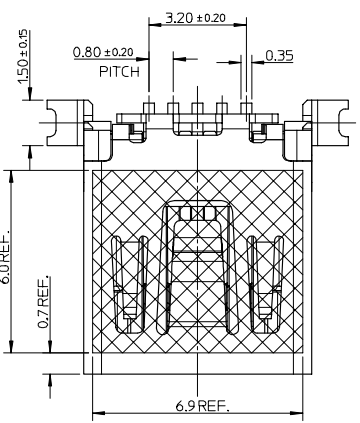
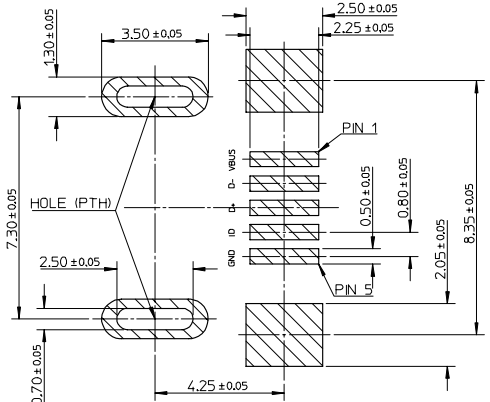
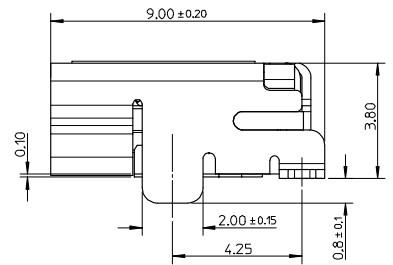
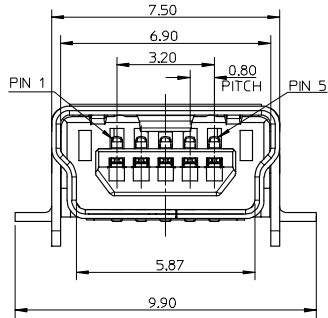


10 9 8 7 6 5 4 3 2 1



NOTE :

- MATERIAL :  
 HOUSING : NYLON GLASS FILLED , BLACK,UL94V-0  
 TERMINAL : COPPER ALLOY THICKNESS = 0.2 MM  
 SHIELD CASE : STAINLESS STEEL THICKNESS = 0.3 MM
- PLATING :  
 TERMINAL:  
 CONTACT AREA : GOLD 0.76 MICROMETER MINIMUM.  
 SOLDER TAIL AREA : MATTE TIN 3.8 MICROMETER MIN.  
 UNDER PLATING : NICKEL 1.27 MICROMETER MINIMUM.  
 SHIELD CASE :  
 2.5-4 MICROMETER SOLDERABLE NICKEL PLATING.
- TAIL & NAIL COPLANARITY 0.08 mm MAXIMUM.
- PRODUCT SPEC: PS-47153-001.
- PACKAGE INFORMATION: PER PK-47153-001.
- COMPLIANT TO RoHS DIRECTIVE 2002/95/EC AND ELV DIRECTIVE 2000/53/EC.



RECOMMENDED P.C.B. PATTERN LAYOUT

REVISE EC NO: DRAWN BY: CHKD: APPR: 2007/11/19 XJSONG 2007/11/20 HWANG 2007/11/28 HWANG	QUALITY SYMBOLS ▽=0 ▽=0	GENERAL TOLERANCES (UNLESS SPECIFIED)		DIMENSION STYLE MM ONLY		SCALE 1:1	DESIGN UNITS METRIC	THIRD ANGLE PROJECTION		
		4 PLACES ± --- ± ---	3 PLACES ± --- ± ---	2 PLACES ± 0.25 ± ---	1 PLACE ± 0.25 ± ---	ANGULAR ± 3 °	DRAWN BY XJSONG DATE 2006/05/09	CHECKED BY IWANG DATE 2006/05/09	APPROVED BY JNCHEN DATE 2006/05/09	TITLE USB SERIES MINI-B REC. ASS'Y DIP TYPE LEAD FREE
		DRAFT WHERE APPLICABLE MUST REMAIN WITHIN DIMENSIONS			MATERIAL NO. 47153-1002	DOCUMENT NO. SD-47153-002	MOLEX INCORPORATED			
		SIZE A3			THIS DRAWING CONTAINS INFORMATION THAT IS PROPRIETARY TO MOLEX INCORPORATED AND SHOULD NOT BE USED WITHOUT WRITTEN PERMISSION					

9 8 7 6 5 4 3 2 1