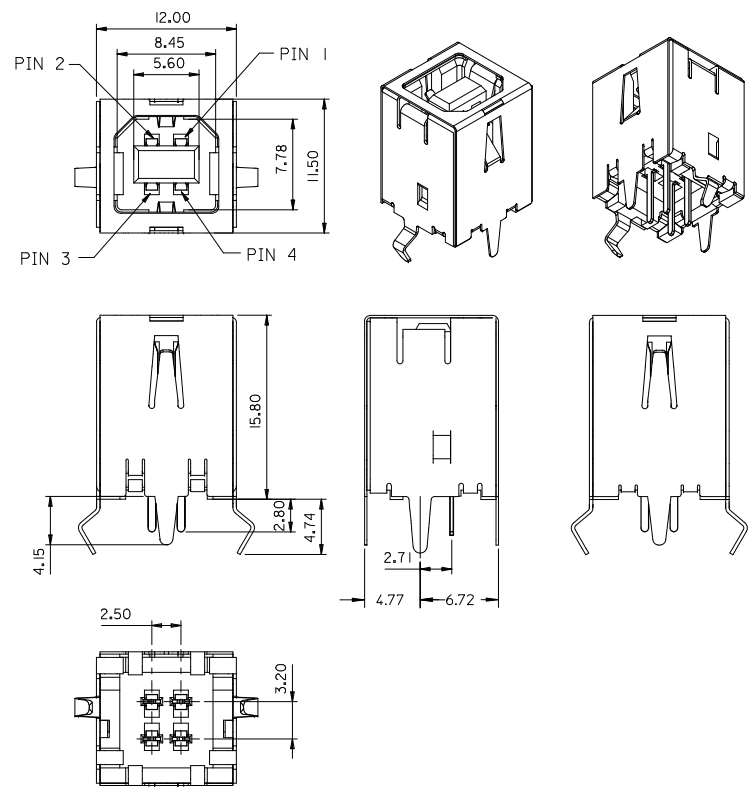
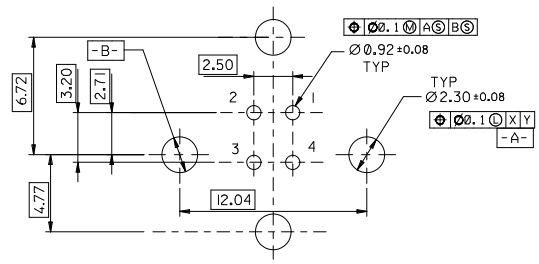


10 9 8 7 6 5 4 3 2 1



NOTES :

- MATERIAL :  
 HOUSING : POLYESTER ,UL94V-0 ,  
 COLOR:BLACK, OR WHITE  
 TERMINAL : PHOSPHOR BRONZE (PhBr)  
 METAL SHELL : COPPER ALLOY
- PLATING :  
 TERMINAL :  
 CONTACT AREA :  
 (a) GOLD FLASH.  
 (b) GOLD (Au), THICKNESS=30 MICROINCH /0.76 MICROMETER  
 SOLDER TAIL : (a) TIN-LEAD (90/10) ALLOY  
 ,THICKNESS=150 MICROINCH/3.8 MICROMETER  
 (b) PURE TIN PLATING,  
 THICKNESS=50 MICROINCH/1.27MICROMETER MINIMUM.  
 UNDER PLATE : NICKEL (Ni)  
 ,THICKNESS=50 MICROINCH /1.27 MICROMETER  
 METAL SHELL :  
 (a) TIN-LEAD (Sn-Pb) ALLOY  
 ,THICKNESS=100 MICROINCH /2.54 MICROMETER  
 (b) PURE TIN PLATING.  
 THICKNESS =50 MICROINCH/1.27 MICROMETER MINIMUM.  
 UNDER PLATE : NICKEL (Ni)  
 ,THICKNESS=50 MICROINCH /1.27 MICROMETER
- RECOMMENDED PCB THICKNESS : 1.60±0.05mm
- PRODUCT SPECIFICATION : REFER TO PS-67998-0000



REVISED EC NO: GDRWN:YPMJ CHKD: APPR:	DESCRIPTION REV	QUALITY SYMBOLS		GENERAL TOLERANCES (UNLESS SPECIFIED)		DIMENSION STYLE		SCALE	DESIGN UNITS	THIRD ANGLE PROJECTION	
				mm	INCH	MM ONLY		1:1	METRIC		
		4 PLACES	± ---	± ---	DRAWN BY	DATE	TITLE				
		3 PLACES	± ---	± ---	SAM SHIN	1998/12/21	USB B VERTICAL CONN				
2 PLACES	± 0.25	± ---	CHECKED BY	DATE	MOLEX INCORPORATED						
1 PLACE	± 0.25	± ---	VLIN	1998/12/21							
ANGULAR ± 3 °		DRAFT WHERE APPLICABLE MUST REMAIN WITHIN DIMENSIONS		APPROVED BY	DATE	DOCUMENT NO.		SHEET NO.			
				NEGA LIN	1998/12/21	SD-67265-002		1 OF 2			
				MATERIAL NO.	SEE TABLE	THIS DRAWING CONTAINS INFORMATION THAT IS PROPRIETARY TO MOLEX INCORPORATED AND SHOULD NOT BE USED WITHOUT WRITTEN PERMISSION					

10      9      8      7      6      5      4      3      2      1

REFER TO PACKING DOC. NO. PK-67265-001 PACKING: TRAY SIZE : 360*360mm (150 PIECES)			SHELL AND SOLDER TAIL PLATING	REFER TO PACKING DOC. NO. PK-67265-001 PACKING: TRAY SIZE : 360*360mm (150 PIECES)			SHELL AND SOLDER TAIL PLATING
P/N	COLOR	CONTACT PLATING		P/N	COLOR	CONTACT PLATING	
67265-0000	BLACK	GOLD FLASH		67265-2000	BLACK	GOLD FLASH	
67265-0001	BLACK	0.76 MICROMETER/30 MICROINCH GOLD		67265-2001	BLACK	0.76 MICROMETER/30 MICROINCH GOLD	
67265-1000	WHITE	GOLD FLASH		67265-3000	WHITE	GOLD FLASH	
67265-1001	WHITE	0.76 MICROMETER/30 MICROINCH GOLD		67265-3001	WHITE	0.76 MICROMETER/30 MICROINCH GOLD	
REFER TO PACKING DOC. NO. PK-67265-002 PACKING: TRAY SIZE : 360*165mm (150 PIECES)				REFER TO PACKING DOC. NO. PK-67265-002 PACKING: TRAY SIZE : 360*165mm (150 PIECES)			
P/N	COLOR	CONTACT PLATING		P/N	COLOR	CONTACT PLATING	
67265-0200	BLACK	GOLD FLASH		67265-2200	BLACK	GOLD FLASH	
67265-0201	BLACK	0.76 MICROMETER/30 MICROINCH GOLD		67265-2201	BLACK	0.76 MICROMETER/30 MICROINCH GOLD	
67265-1200	WHITE	GOLD FLASH		67265-3200	WHITE	GOLD FLASH	
67265-1201	WHITE	0.76 MICROMETER/30 MICROINCH GOLD		67265-3201	WHITE	0.76 MICROMETER/30 MICROINCH GOLD	
REFER TO PACKING DOC. NO. PK-67265-003 PACKING: TUBE				REFER TO PACKING DOC. NO. PK-67265-003 PACKING: TUBE			
P/N	COLOR	CONTACT PLATING		P/N	COLOR	CONTACT PLATING	
67265-0300	BLACK	GOLD FLASH		67265-2300	BLACK	GOLD FLASH	
67265-0301	BLACK	0.76 MICROMETER/30 MICROINCH GOLD		67265-2301	BLACK	0.76 MICROMETER/30 MICROINCH GOLD	
67265-1300	WHITE	GOLD FLASH		67265-3300	WHITE	GOLD FLASH	
67265-1301	WHITE	0.76 MICROMETER/30 MICROINCH GOLD		67265-3301	WHITE	0.76 MICROMETER/30 MICROINCH GOLD	

TIN LEAD PLATING

PURE TIN PLATING  
(lead-free)

REVISED E.C. NO: SH2010-0079 G. DRW: YPMU CHKD: CHYD APPR: RZHANG 2009/09/01 2009/09/02 2009/10/12 DESCRIPTION REV	QUALITY SYMBOLS	GENERAL TOLERANCES (UNLESS SPECIFIED)	DIMENSION STYLE MM ONLY		SCALE 1:1	DESIGN UNITS METRIC	THIRD ANGLE PROJECTION
	▽=0	mm      INCH	DRAWN BY SAM SHIN	DATE 1998/12/21	TITLE USB B VERTICAL CONN		
	▽=0	4 PLACES ± --- ± ---	CHECKED BY VLIN	DATE 1998/12/21	MOLEX INCORPORATED		
		3 PLACES ± --- ± ---	APPROVED BY NEGA LIN	DATE 1998/12/21			
		2 PLACES ± 0.25 ± ---	MATERIAL NO.	SEE TABLE	DOCUMENT NO. SD-67265-002	SHEET NO. 2 OF 2	
		1 PLACE ± 0.25 ± ---	DRAFT WHERE APPLICABLE MUST REMAIN WITHIN DIMENSIONS				
		ANGULAR ± 3 °	SIZE A3				
			THIS DRAWING CONTAINS INFORMATION THAT IS PROPRIETARY TO MOLEX INCORPORATED AND SHOULD NOT BE USED WITHOUT WRITTEN PERMISSION				

tb\_frame\_A3\_P\_AM.T  
Rev. E 2006/04/15

9      8      7      6      5      4      3      2      1