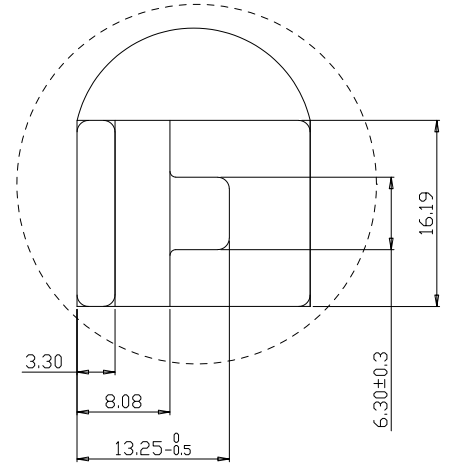
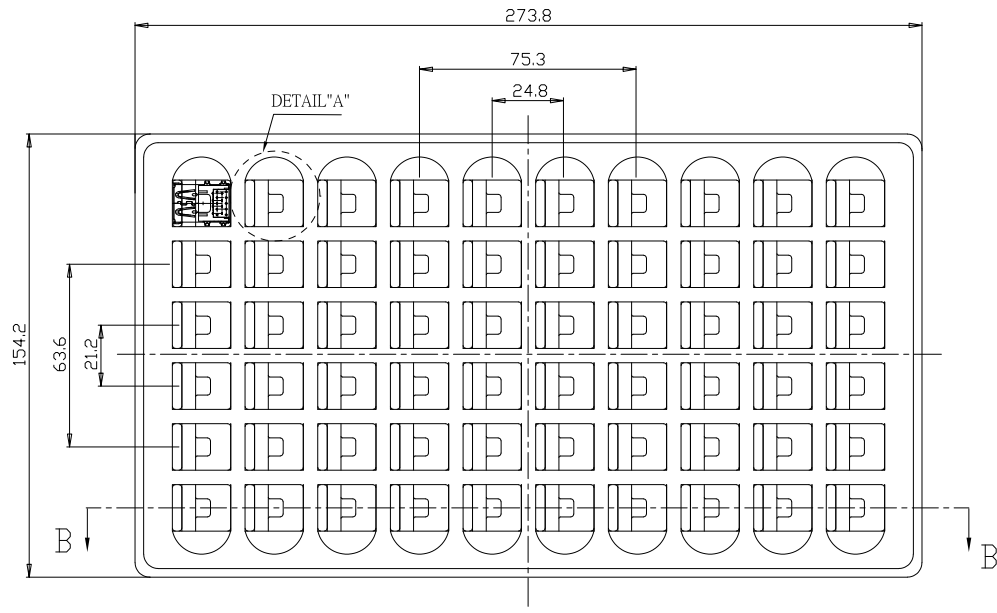
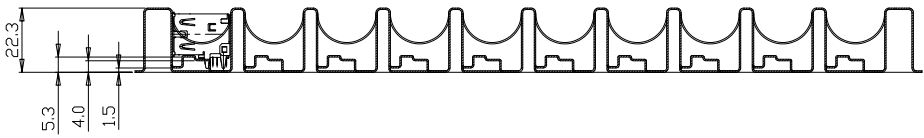


THIS DRAWING IS UNPUBLISHED. RELEASED FOR PUBLICATION 19NOV2009
 © COPYRIGHT 19NOV2009 BY TYCO ELECTRONICS CORPORATION. ALL INTERNATIONAL RIGHTS RESERVED.

LOC	DIST	REVISIONS					
ES	00	F	LNK	DESCRIPTION	DATE	BY	APPD
-	-	-	-	SEE SHEET 1	-	-	-



DETAIL A
 SCALE: 4:1



THIS DRAWING IS A CONTROLLED DOCUMENT.		DRW: FRANCIS LEE 4MAR2010	Tyco Electronics Corporation Shanghai, P.R.China 200233
DIMENSIONS: mm		CHK: MARTIN LI 4MAR2010	
TOLERANCES UNLESS OTHERWISE SPECIFIED:		APPC: STEVEN YAO 4MAR2010	NAME: USB 3.0 STACKED A TYPE RECEPTACLE PACKING DRAWING
0 PLC ± 0.1 1 PLC ± 0.3 2 PLC ± 0.50 3 PLC ± 0.05 4 PLC ± 0.05 ANGLES ± 0.5°		APPLICATION SPEC: -	RESTRICTED TO: -
MATERIAL:	FINISH:	WEIGHT: -	SIZE: A2
CUSTOMER DRAWING		DATE: 00779	DRAWING NO: C=1932355
		SCALE: 1:1	SHEET: 3 of 3
			REV: g