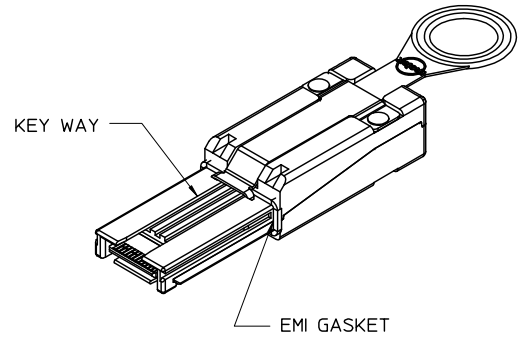
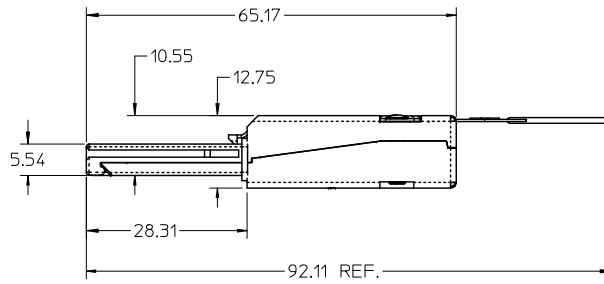
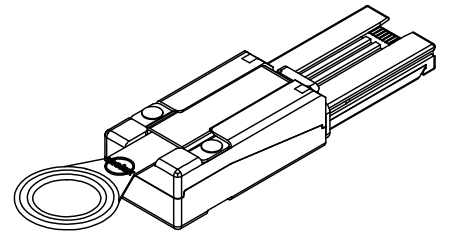
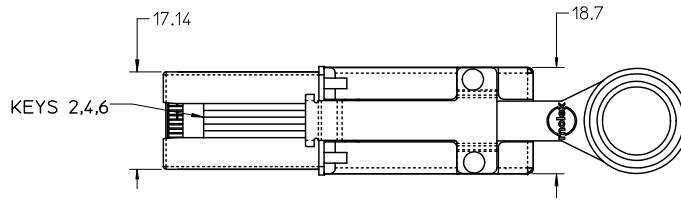
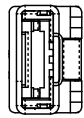


10 9 8 7 6 5 4 3 2

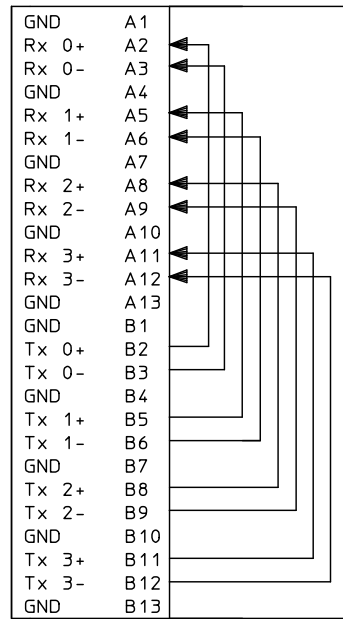
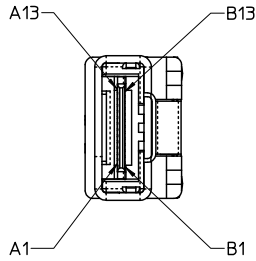


NOTES:

- 1. MATERIAL-
BACKSHELLS - ZINC DIECAST
PULL - MOLDED PLATIC
- 2. PLUG MATES TO RECEPTACLE 75586 SERIES, AND EMI HOUSING ASSY, 74548-0100
- 3. THIS PRODUCT MEETS THE RESTRICTION OF HAZARDOUS SUBSTANCES IN ELECTRICAL AND ELECTRONIC EQUIPMENT (RoHS) DIRECTIVE (2002/95/EC)

ENTER DESCRIPTION EC NO: USY2009-0104 DRWN: JERWIN CHKD: BSCHOESTER APPR: DDOYE A	QUALITY SYMBOLS ▽=0 ▽=0	GENERAL TOLERANCES (UNLESS SPECIFIED)		DIMENSION STYLE	SCALE	DESIGN UNITS	THIRD ANGLE PROJECTION	
				MM/IN	1:1	INCH		
				DRAWN BY	DATE	TITLE		
				JERWIN	2008/01/15	LOOPBACK ASSY KEY 2,4,6		
		4 PLACES ± --- ± ---		CHECKED BY	DATE			
		3 PLACES ± --- ± ---		BSCHOESTER	2008/01/15			
		2 PLACES ± 0.13 ± ---		APPROVED BY	DATE			
		1 PLACE ± 0.25 ± ---		DDOYE	2008/01/15			
		ANGULAR ± 1/2°		MATERIAL NO.		DOCUMENT NO.		
		DRAFT WHERE APPLICABLE MUST REMAIN WITHIN DIMENSIONS		745470399		SD-74547-0399		
				SIZE		SHEET NO.		
				B		1 OF 2		
				THIS DRAWING CONTAINS INFORMATION THAT IS PROPRIETARY TO MOLEX INCORPORATED AND SHOULD NOT BE USED WITHOUT WRITTEN PERMISSION				

9 8 7 6 5 4 3 2 1



ENTER DESCRIPTION EC NO: USY2009-0104 DRAWN: JERWIN 2008/09/17 CHECKED: BSCHOESTER 2008/09/29 APPROVED: DDOYE 2008/09/30	QUALITY SYMBOLS ▽=0 ▽=0	GENERAL TOLERANCES (UNLESS SPECIFIED)		DIMENSION STYLE MM/IN	SCALE 1:1	DESIGN UNITS INCH	THIRD ANGLE PROJECTION	
		4 PLACES ± --- ± ---	DRAWN BY JERWIN	DATE 2008/01/15	TITLE LOOPBACK ASSY KEY 2,4,6			
		3 PLACES ± --- ± ---	CHECKED BY BSCHOESTER	DATE 2008/01/15				
		2 PLACES ± 0.13 ± ---	APPROVED BY DDOYE	DATE 2008/01/15	MATERIAL NO. 745470399		DOCUMENT NO. SD-74547-0399	SHEET NO. 2 OF 2
1 PLACE ± 0.25 ± ---	ANGULAR ± 1/2°	DRAFT WHERE APPLICABLE MUST REMAIN WITHIN DIMENSIONS		THIS DRAWING CONTAINS INFORMATION THAT IS PROPRIETARY TO MOLEX INCORPORATED AND SHOULD NOT BE USED WITHOUT WRITTEN PERMISSION				