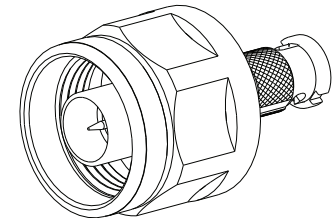
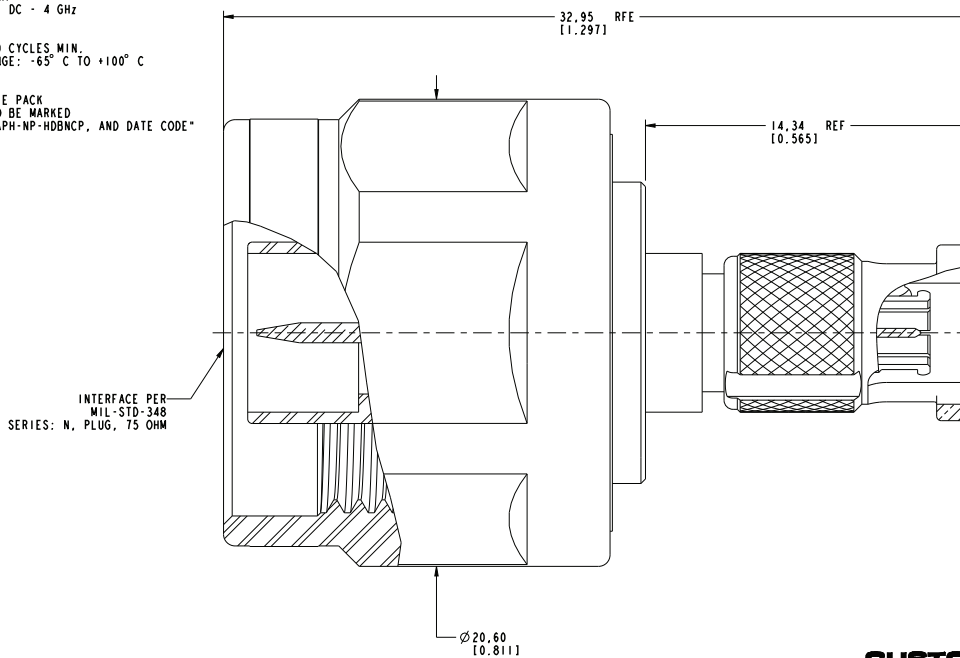


- NOTES:
- MATERIALS AND FINISHES:
 BODY - STAINLESS STEEL, PASSIVATED
 CONTACT - BeCu, GOLD PLATING
 OUTER CONTACT - BeCu, NICKEL PLATING
 INSULATOR - PTFE
 BAYONET - BRASS, NICKEL PLATING
 - ELECTRICAL:
 A. IMPEDANCE: 75 OHM
 B. FREQUENCY RANGE: DC - 4 GHz
 - MECHANICAL:
 A. DURABILITY: 500 CYCLES MIN.
 B. TEMPERATURE RANGE: -65° C TO +100° C
 - PACKAGING:
 A. QUANTITY: SINGLE PACK
 B. MARKING: BAG TO BE MARKED
 AMPHENORLF, APH-NP-HDBNCP, AND DATE CODE

THIRD ANGLE PROJ.

REVISIONS

REV	DESCRIPTION	DATE	ECO	APPR
1	PROTOTYPE RELEASE	29-Mar-10	--	KR



SCALE 2.500

CUSTOMER OUTLINE DRAWING
 ALL OTHER SHEETS ARE FOR INTERNAL USE ONLY

UNLESS OTHERWISE SPECIFIED, DIMENSIONS ARE IN METRIC AND TOLERANCES ARE:
 <0.5mm ±0.05mm 0.5 - 6mm ±0.1mm 6 - 30mm ±0.2mm 30 - 120mm ±0.3mm ANGLES ±1°

NOTICE - These drawings, specifications, or other data (1) are, and remain the property of Amphenol Corp. (2) must be returned upon request; and (3) are confidential and not to be disclosed to any person other than those to whom they are given by Amphenol Corp. The furnishing of these drawings, specifications, or other data by Amphenol Corp., or to any other person for any purpose is not to be regarded by implication or otherwise in any manner licensing, granting rights to permitting such holder or any other person to manufacture, use or sell any product, process or design, patented or otherwise, that may in any way be related to or disclosed by said drawings, specifications, or other data.

MATERIAL SEE NOTES	DRAWN KARTHIK R	DATE 29-Mar-10	TITLE ADAPTOR, 75 OHM N PLUG TO HD BNC PLUG	Amphenol RF Danbury CT USA, Taiwan, Taiwan, Shenzhen, China www.amphenorlf.com	
	ENGINEER KARTHIK R	DATE 29-Mar-10		DRAWING NO. APH-NP-HDBNCP	
REFERENCE EAR # 4100	APPROVED	DATE	SCALE: 6.0:1.0	SHEET 2 OF 2	ITEM NO. APH-NP-HDBNCP
CONFIGURATION LEVEL: Prototype	CAD FILE	Root Folder/HD-BNC/APH-NP-HDBNCP	DWG SIZE B	REV 1	PART NO. APH-NP-HDBNCP
FINISH					