

The single switch module ESM and the double switch module DSM are ready-to-install units, consisting of:

- Switches:
K12 (for both ESM or DSM)
K12G (DSM only with two switching-points)
PVA1H4 (ESM only)
- PC board
- Rubber cap
- Optional cable or connector



The rubber cap offers the possibility to use both switch modules under severe ambient conditions where dust, water, oil, solvents etc. can effect or destroy the function of standard switches.

With the rubber cap the two modules are sealed to IP 65 when mounted.

Typical Applications

- Tractors
- Harvesting equipment
- Industrial controls

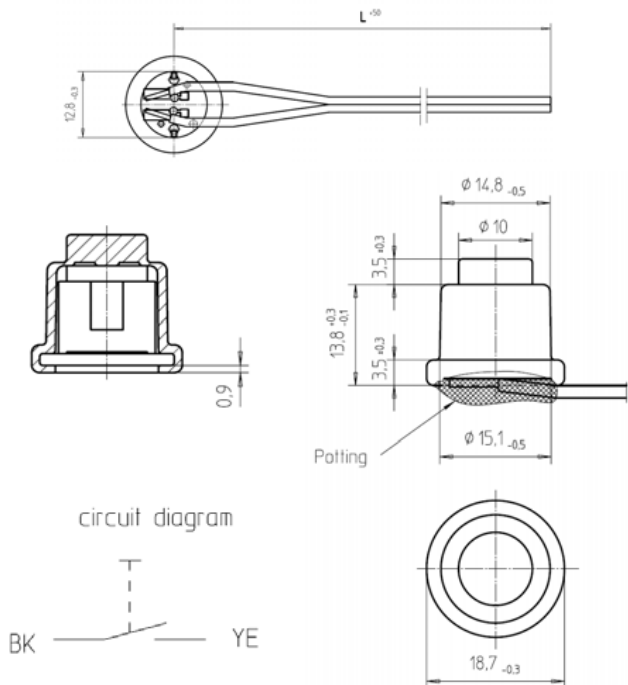
Technical Data

Cap Material	Silicone rubber	
Protection Level	IP 65 (with cap when mounted)	
Cable	FLK/FLY 0.5 mm ²	
Switches	K12	(both ESM or DSM)
	K12G	(DSM only, two switching-points)
	PVA1H4	(ESM only)
	Operating force	Travel (mm/inch)
	K12	5 N 1 / 0.039
	K12G	3.5 / 7 N 1.5 / 0.0591
	PVA1H4	3 N 2.2 / 0.087

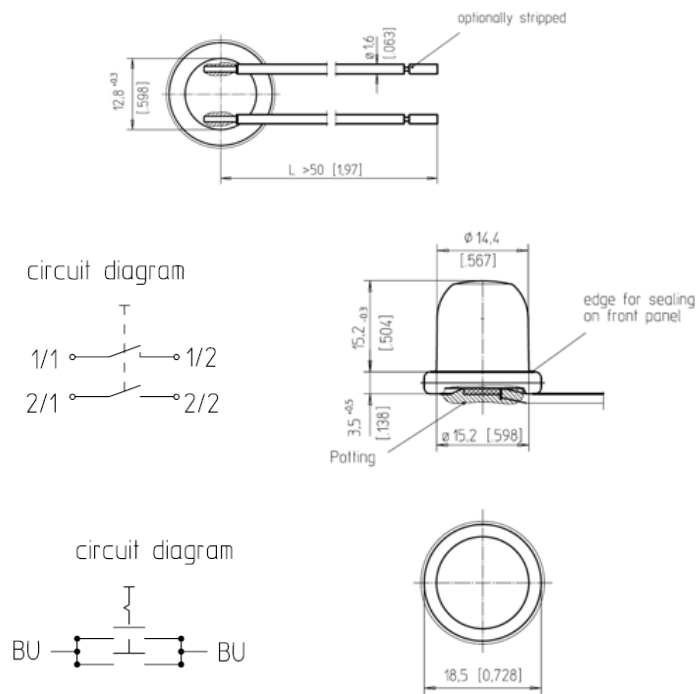
Ordering code		1	2	3	4	6	7	8
	Example	DSM	K12	1	5N	C	L130	Pu Po
1 Designation	ESM = single switch module DSM = double switch module							
2 Switch	K12 = (for ESM and DSM) K12G = with 2 switching-points (DSM only) PVA = PVA1H4 (ESM only)							
3 Travel of Switch	1 = 1 mm (K12) 1.5 = 1.5 mm (K12G) 2.2 = 2.2 mm (PVA1H4)							
4 Operating force	5N = 5 N (K12) 3.5N = 3.5 / 7 N (K12G) 3N = 3 N (PVA1H4)							
6 Cap	N = none C = with cap							
7 Cable	- = none L130 = 130 mm cable length							
8 Cap decals (DSM)*	- = none P = arrows: U (down), O (Up), L (left), R (right)							

* see drawing overleaf

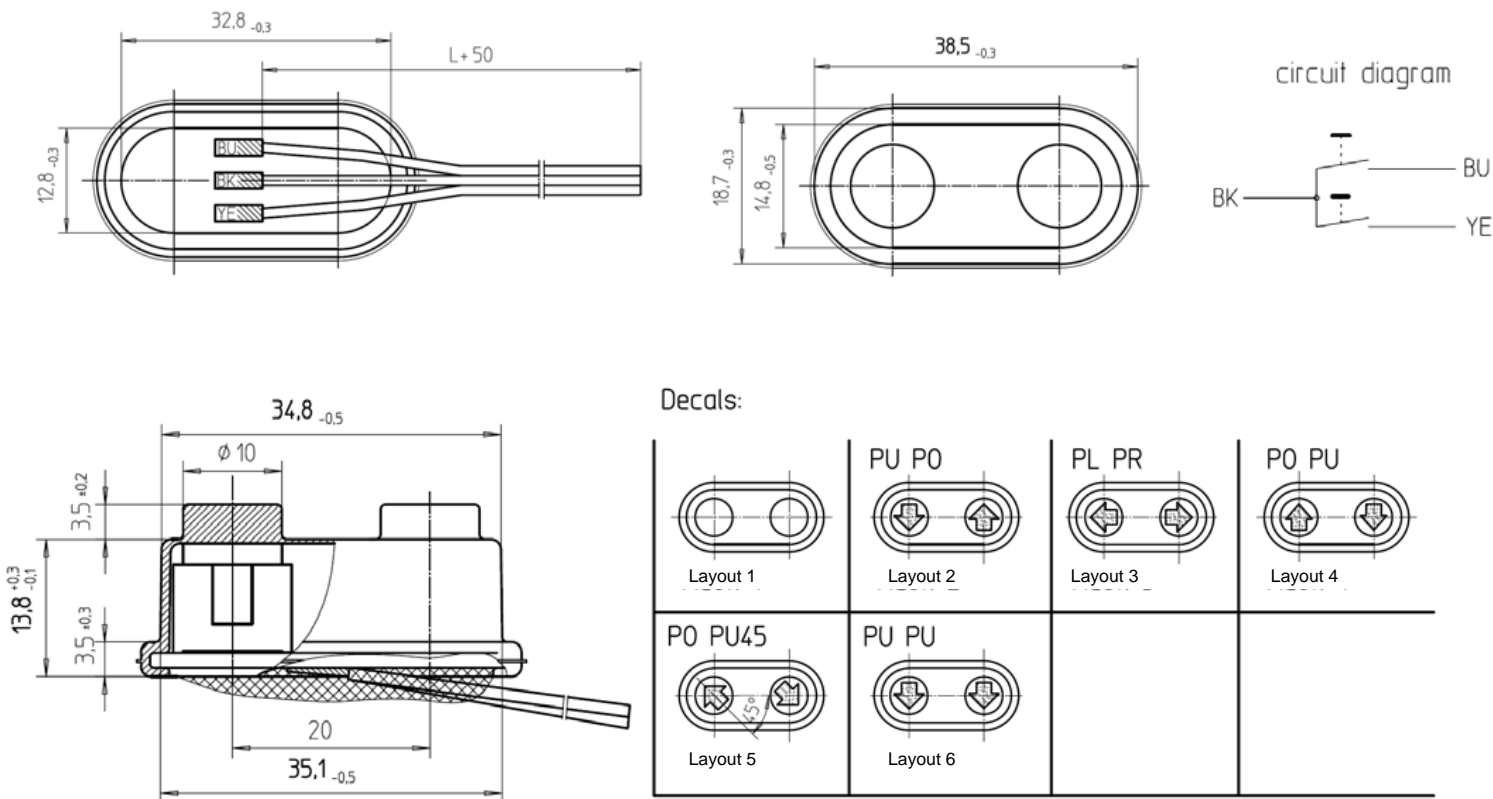
ESM single switch with K12



ESM single switch with PVA1H4



DSM double switch module with K12



Decals:

