

FEATURES

- BIDIRECTIONAL CROWBAR PROTECTION
- VOLTAGE RANGE : FROM 8V to 320V
- REPETITIVE PEAK PULSE CURRENT:
I_{PP} = 100 A (10/1000µs)
- HOLDING CURRENT: I_H = 150mA or 225mA
- LOW LEAKAGE CURRENT: I_R = 2 µA max

DESCRIPTION

The SMP100 series are transient surge arrestors used for the protection of sensitive tele-com equipment.

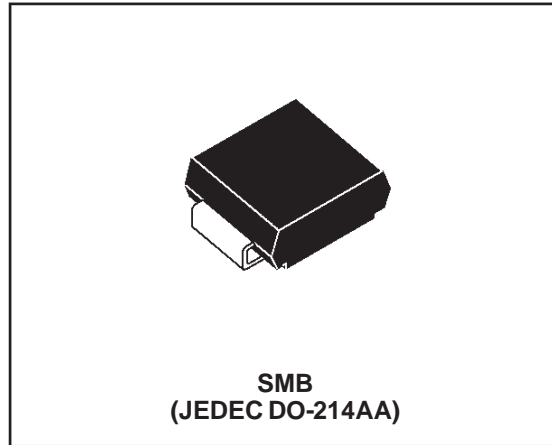
MAIN APPLICATIONS

Any sensitive equipment requiring protection against lightning strikes :

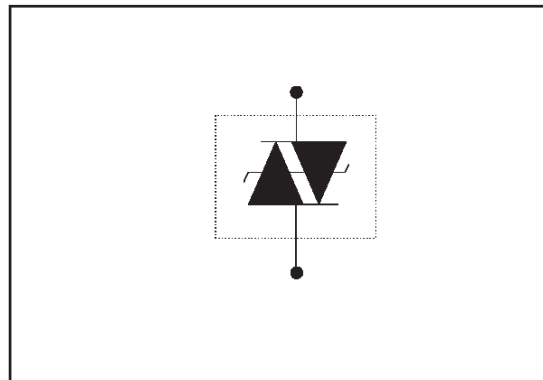
- ANALOG AND DIGITAL LINE CARDS
- MAIN DISTRIBUTION FRAMES
- TERMINALS AND TRANSMISSION EQUIPMENT
- GAS-TUBE REPLACEMENT

BENEFITS

- NO AGEING AND NO NOISE
- IF DESTROYED, THE SMP100 FALLS INTO SHORT CIRCUIT, STILL ENSURING PROTECTION
- BOARD SPACE SAVING



SCHEMATIC DIAGRAM



COMPLIES WITH THE FOLLOWING STANDARDS:	Peak Surge Voltage (V)	Voltage Waveform (µs)	Current Waveform (µs)	Admissible I _{pp} (A)	Necessary Resistor (Ω)
CCITT K20	4000	10/700	5/310	100	-
VDE0433	4000	10/700	5/310	100	-
VDE0878	4000	1.2/50	1/20	100	-
IEC-1000-4-5	level 4 level 4	10/700 1.2/50	5/310 8/20	100 100	- -
FCC Part 68	1500 800	10/160 10/560	10/160 10/560	200 100	- -
BELLCORE TR-NWT-001089	2500 1000	2/10 10/1000	2/10 10/1000	500 100	- -

SMP100-xxx / SMP100-xxxH225

THERMAL RESISTANCES

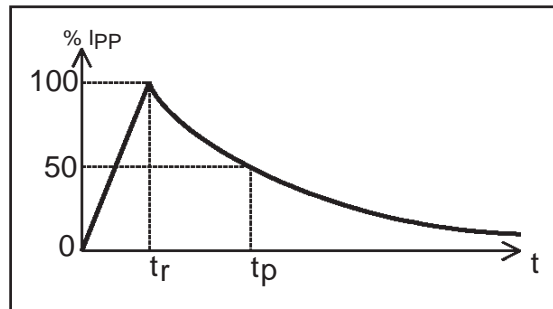
Symbol	Parameter	Value	Unit
$R_{th(j-l)}$	Junction to leads	20	°C/W
$R_{th(j-a)}$	Junction to ambient on printed circuit (with standard footprint dimensions)	100	°C/W

ABSOLUTE MAXIMUM RATINGS ($T_{amb} = 25^{\circ}\text{C}$)

Symbol	Parameter	Value	Unit
I_{pp}	Peak pulse current: 10/1000 μs (open circuit voltage waveform 1 kV 10/1000 μs)	100	A
	8/20 μs (open circuit voltage waveform 4 kV 1.2/50 μs)	250	A
	2/10 μs (open circuit voltage waveform 2.5kV 2/10 μs)	500	A
I_{FS}	Fail-safe mode 8/20 μs	5	kA
I_{TSM}	Non repetitive surge peak on-state current One cycle 50Hz	55	A
	60Hz	60	A
	Non repetitive surge peak on-state current F = 50Hz 0.2s	25	A
	2s	12	A
T_L	Maximum lead temperature for soldering during 10s	260	°C
T_{stg}	Storage temperature range	- 55 to + 150	°C
T_j	Maximum junction temperature	150	°C

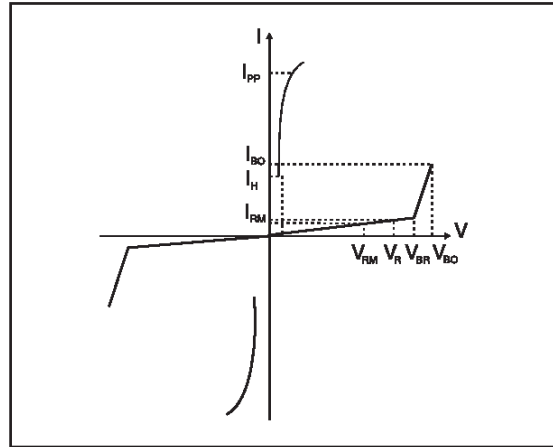
Note 1: Pulse waveform

10 / 1000 μs	$t_r = 10 \mu\text{s}$	$t_p = 1000 \mu\text{s}$
8 / 20 μs	$t_r = 8 \mu\text{s}$	$t_p = 20 \mu\text{s}$
5 / 310 μs	$t_r = 5 \mu\text{s}$	$t_p = 310 \mu\text{s}$
1 / 20 μs	$t_r = 1 \mu\text{s}$	$t_p = 20 \mu\text{s}$
2 / 10 μs	$t_r = 2 \mu\text{s}$	$t_p = 10 \mu\text{s}$



ELECTRICAL CHARACTERISTICS ($T_{amb} = 25^{\circ}\text{C}$)

Symbol	Parameter
V_{RM}	Stand-off voltage
I_{RM}	Leakage current at stand-off voltage
V_R	Continuous Reverse voltage
I_R	Continuous Reverse current
V_{BR}	Breakdown voltage
V_{BO}	Breakover voltage
I_H	Holding current
I_{BO}	Breakover current
I_{PP}	Peak pulse current
C	Capacitance

**STATIC PARAMETERS**

Type	$I_{RM} @ V_{RM}$ max.		$I_R @ V_R$ max. note 1		$V_{BO} @ I_{BO}$ max. note 2		I_H min. note 3	C max. note 4
	μA	V	μA	V	V	mA	mA	pF
SMP100-8	2	6	50	8	20	800	50(typ)	100
SMP100-65	2	55	50	65	80	800	150	200
SMP100-140	2	120	50	140	200	800	150	150
SMP100-200	2	170	50	200	265	800	150	150
SMP100-230	2	200	50	230	300	800	150	150
SMP100-270	2	230	50	270	350	800	150	150
SMP100-320	2	270	50	320	470	800	150	150
SMP100-140H225	2	120	50	140	200	800	225	150
SMP100-200H225	2	170	50	200	265	800	225	150
SMP100-230H225	2	200	50	230	300	800	225	150
SMP100-270H225	2	230	50	270	350	800	225	150

Note 1 : I_R measured at V_R guarantees $V_{BR} > V_R$

Note 2 : Measured at 50Hz, see test circuit 1. In any case $V_{BOmin} \geq V_{BR}$

Note 3 : See functional holding current test circuit 2.

Note 4 : $V_R=1\text{V}$ bias, $V_{RMS}=1\text{V}$, $F=1\text{MHz}$.

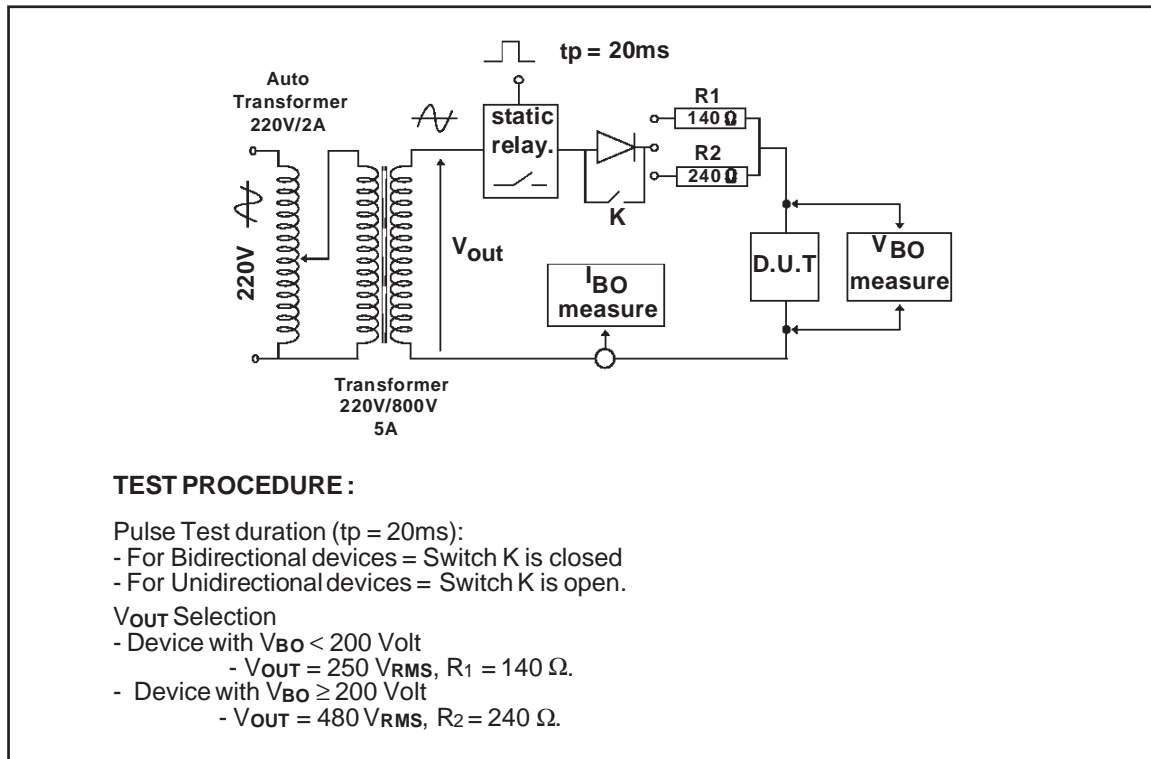
SMP100-xxx / SMP100-xxxH225

DYNAMIC PARAMETERS

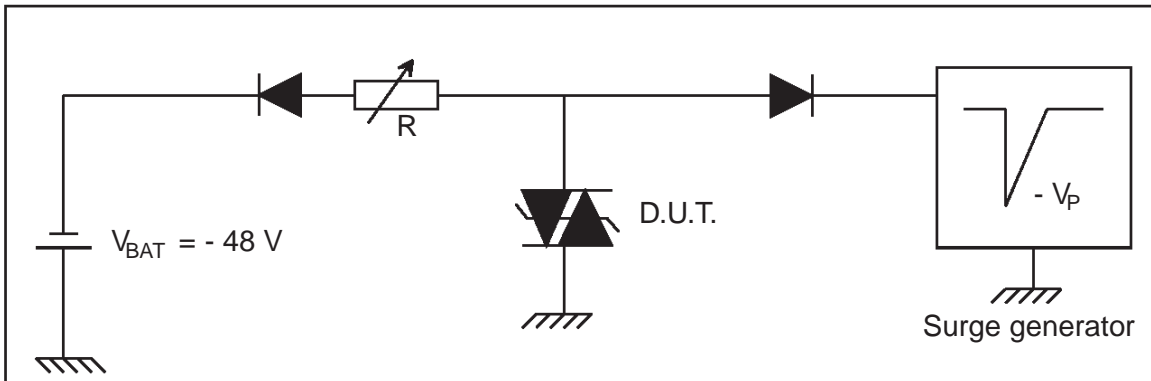
Symbol	Test conditions (see note 5)	Type	Max.	Unit
V_{BO}	<p>Test conditions 1 $dV/dt = 100 \text{ V}/\mu\text{s}$, $di/dt < 10 \text{ A}/\mu\text{s}$, $I_{PP} = 100 \text{ A}$</p> <p>Test conditions 2 $dV/dt = 1 \text{ kV}/\mu\text{s}$, $di/dt < 10 \text{ A}/\mu\text{s}$, $I_{PP} = 10 \text{ A}$</p>	SMP100-8	25	V
		SMP100-65	95	
		SMP100-140	220	
		SMP100-200	285	
		SMP100-230	320	
		SMP100-270	370	
		SMP100-320	470	
		SMP100-140H225	230	
		SMP100-200H225	285	
		SMP100-230H225	320	
		SMP100-270H225	370	

Note 5 : V_{BO} parameters are given by a KeyTek 'System 2' generator with PN2461 module.
 See test circuits 3 for V_{BO} dynamic parameters.

TEST CIRCUIT 1 FOR I_{BO} and V_{BO} parameters :



TEST CIRCUIT 2 for I_H parameter.

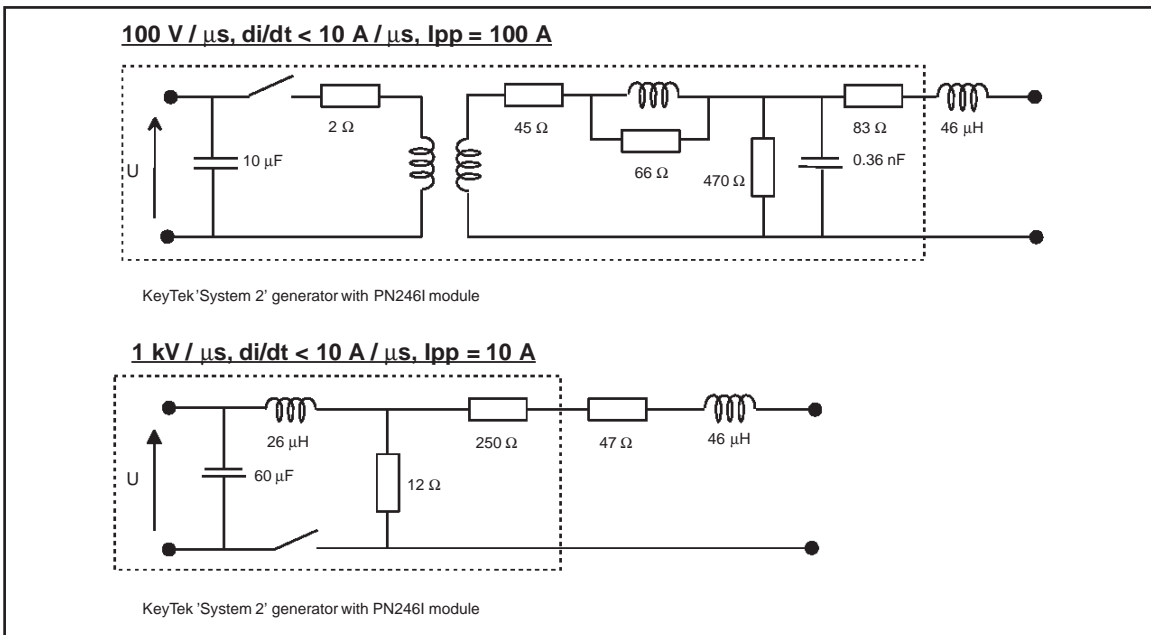


This is a GO-NO GO test which allows to confirm the holding current (I_H) level in a functional test circuit.

TEST PROCEDURE :

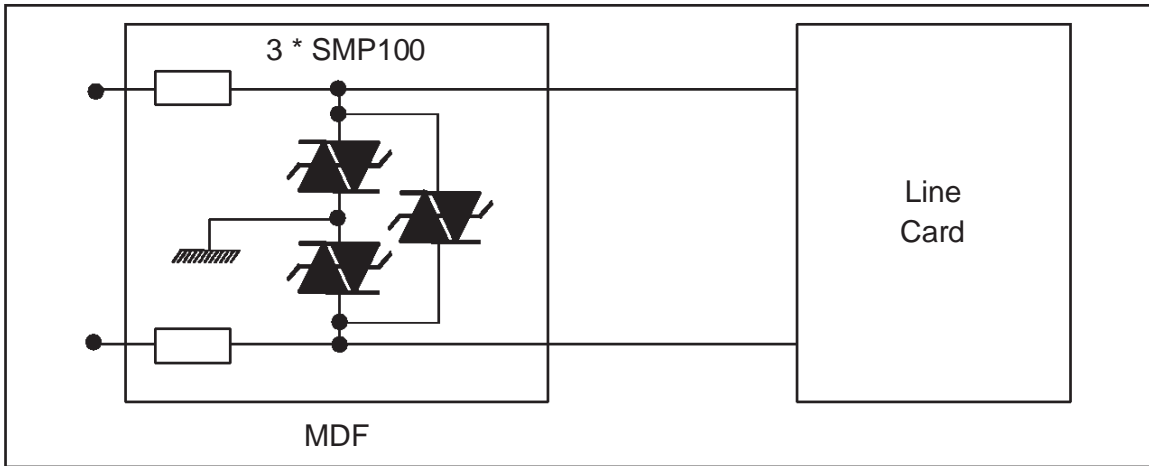
- Adjust the current level at the I_H value by short circuiting the D.U.T.
- Fire the D.U.T. with a surge current : $I_{pp} = 10A, 10/1000 \mu s$.
- The D.U.T. will come back to the off-state within 50 ms max.

TEST CIRCUITS 3 FOR V_{BO} DYNAMIC PARAMETERS

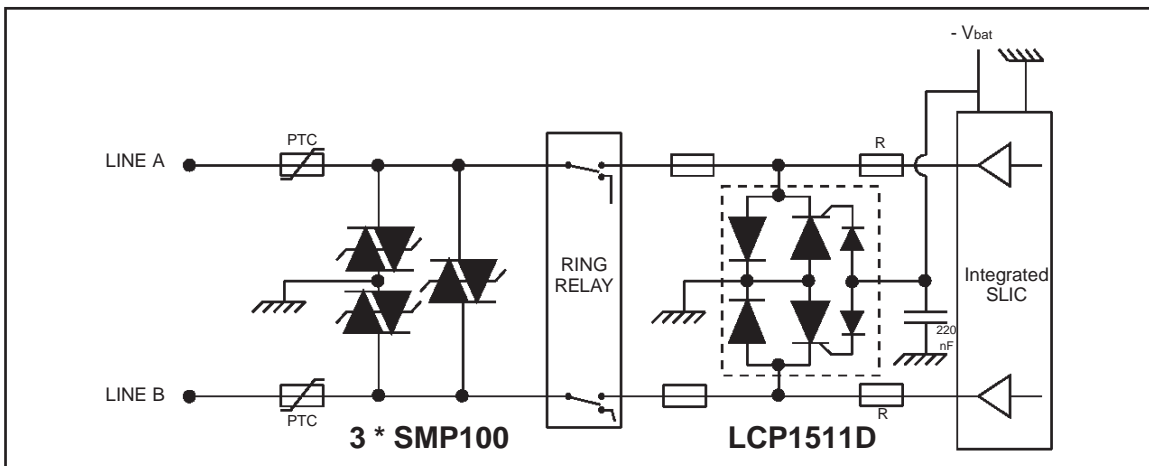


TYPICAL APPLICATIONS

1 - Primary protection module



2 - Line card protection



3 - ISDN: U interface protection

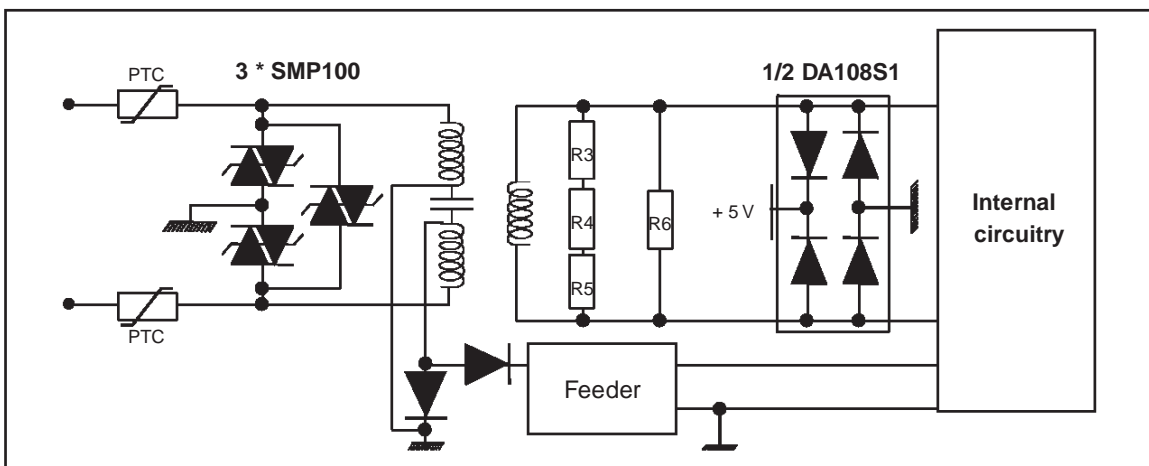


Fig 1 : Non repetitive surge peak on-state current versus overload duration (T_j initial = 25 °C).

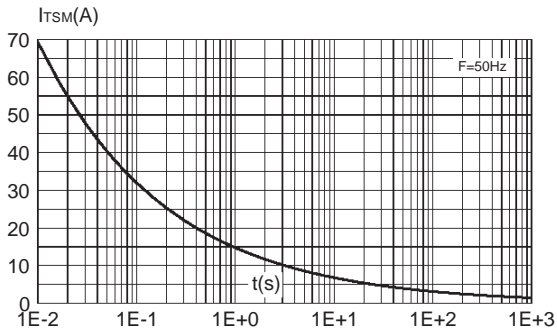


Fig 2 : On-state voltage versus on-state current (typical values).

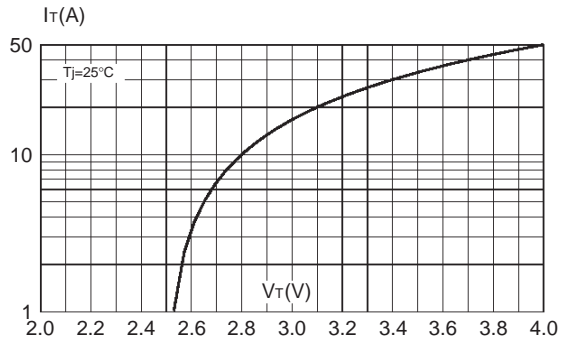


Fig 3 : Relative variation of holding current versus junction temperature.

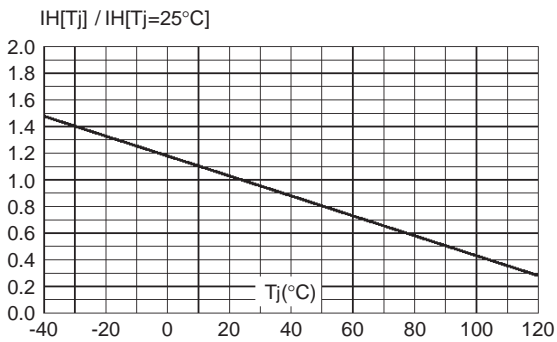


Fig 4 : Variation of thermal impedance junction to ambient versus pulse duration.

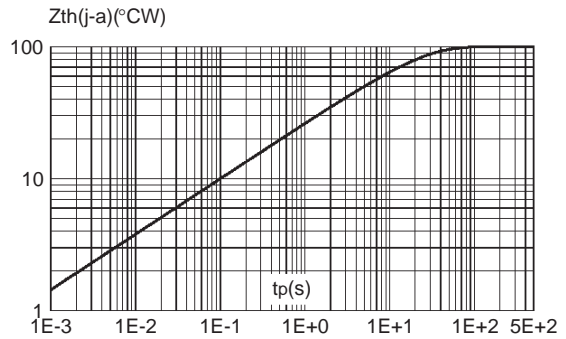
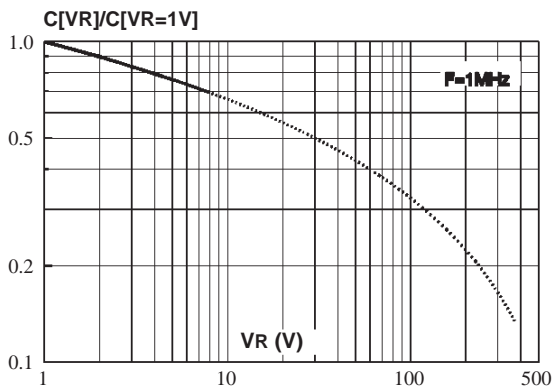


Fig 5 : Relative variation of junction capacitance versus reverse voltage applied (typical values).

Note : For other types than SMP100-8, the curve can be extrapolated (dotted line)



SMP100-xxx / SMP100-xxxH225

MARKING

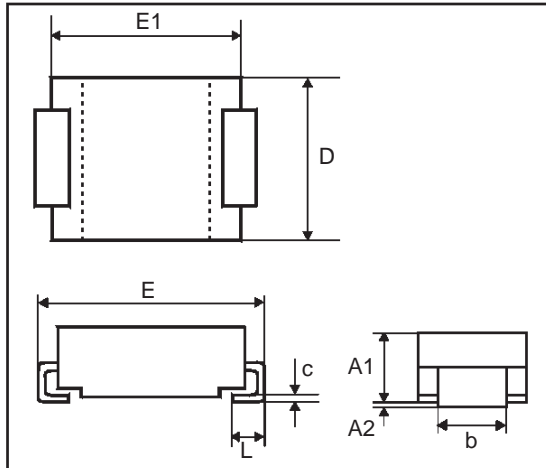
Package	Type	Marking
SMB	SMP100-8	PL8
	SMP100-65	P06
	SMP100-140	P14
	SMP100-200	P20
	SMP100-230	P23
	SMP100-270	P27
	SMP100-320	P32

MARKING

Package	Type	Marking
SMB	SMP100-140H225	P16
	SMP100-200H225	P22
	SMP100-230H225	P24
	SMP100-270H225	P29

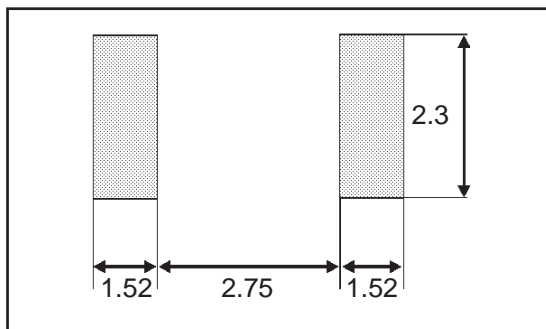
PACKAGE MECHANICAL DATA

SMB (Plastic)



REF.	DIMENSIONS					
	Millimeters			Inches		
	Min.	Typ.	Max.	Min.	Typ.	Max.
A1	1.90	2.15	2.45	0.075	0.085	0.096
A2	0.05	0.15	0.20	0.002	0.006	0.008
b	1.95		2.20	0.077		0.087
c	0.15		0.41	0.006		0.016
E	5.10	5.40	5.60	0.201	0.213	0.220
E1	4.05	4.30	4.60	0.159	0.169	0.181
D	3.30	3.60	3.95	0.130	0.142	0.156
L	0.75	1.15	1.60	0.030	0.045	0.063

FOOT PRINT (in millimeters)



Packaging : tape and reel

Weight : 0.12g

Information furnished is believed to be accurate and reliable. However, SGS-THOMSON Microelectronics assumes no responsibility for the consequences of use of such information nor for any infringement of patents or other rights of third parties which may result from its use. No license is granted by implication or otherwise under any patent or patent rights of SGS-THOMSON Microelectronics. Specifications mentioned in this publication are subject to change without notice. This publication supersedes and replaces all information previously supplied. SGS-THOMSON Microelectronics products are not authorized for use as critical components in life support devices or systems without express written approval of SGS-THOMSON Microelectronics.

© 1998 SGS-THOMSON Microelectronics - Printed in Italy - All rights reserved.

SGS-THOMSON Microelectronics GROUP OF COMPANIES

Australia - Brazil - Canada - China - France - Germany - Italy - Japan - Korea - Malaysia - Malta - Morocco
The Netherlands - Singapore - Spain - Sweden - Switzerland - Taiwan - Thailand - United Kingdom - U.S.A.