

International
IOR Rectifier

BAT54AWPbF

SCHOTTKY RECTIFIER

0.2 Amp

$$I_{F(AV)} = 0.2\text{Amp}$$

$$V_R = 30\text{V}$$

Major Ratings and Characteristics

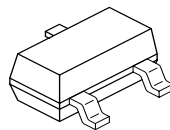
Characteristics	Value	Units
I_F (DC)	0.2	A
V_{RRM}	30	V
I_{FSM} @ $t_p = 10$ ms sine	1.0	A
V_F @ 30mA DC, $T_J = 25^\circ\text{C}$	0.5	V
P_d Power Dissipation @ $T_A = 25^\circ\text{C}$	200	mW
T_J range	- 65 to 150	$^\circ\text{C}$

Description/ Features

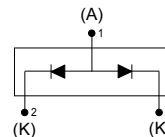
This Schottky barrier diode is designed for high speed switching application, voltage clamping and circuit protection. Miniature surface mount packages with reduced foot print are excellent for portable application where space is limited

- Small foot print, surface mountable
- Very low forward voltage drop
- Extremely fast switching speed for high frequency operation
- Guard ring for enhanced ruggedness and long term reliability
- Lead-Free ("PbF" suffix)

Case Styles



SOT323



Voltage Ratings

Part number	Value
V_R Max. DC Reverse Voltage (V)	30
V_{RWM} Max. Working Peak Reverse Voltage (V)	

Absolute Maximum Ratings

Parameters	Value	Units	Conditions
I_F Forward Current	0.2	A	DC, per Leg
I_{FSM} Max. Peak One Cycle Non-Repetitive Surge Current, @ $T_J = 25^\circ\text{C}$	8.4	A	5 μs Sine or 3 μs Rect. pulse
	1.0	A	10ms Sine or 6ms Rect. pulse

Following any rated load condition and with rated V_{RWM} applied

Electrical Specifications

Parameters	Value	Units	Conditions
V_{FM} Max. Forward Voltage Drop (1)	0.24	V	@ 0.1mA
	0.32	V	@ 1mA
V_{FM} Max. Forward Voltage Drop (1)	0.40	V	@ 10mA
	0.50	V	@ 30mA
	0.65	V	@ 100mA
I_{RM} Max. Reverse Leakage Current (1)	2	μA	$V_R = 25\text{V}$
	3	μA	$V_R = 30\text{V}$
C_T Max. Junction Capacitance	10	pF	$V_R = 1V_{DC}$ (test signal range 100KHz to 1MHz), $T_J = 25^\circ\text{C}$
dv/dt Max. Voltage Rate of Change (Rated V_R)	10000	V/ μs	

$T_J = 25^\circ\text{C}$

(1) Pulse Width < 300 μs , Duty Cycle < 2%

Thermal-Mechanical Specifications

Parameters	Value	Units	Conditions
T_J Max. Junction Temperature Range (*)	-65 to 150	$^\circ\text{C}$	
T_{stg} Max. Storage Temperature Range	-65 to 150	$^\circ\text{C}$	
$R_{th(j-a)}$ Max. Thermal Resistance Junction to Ambient	625	$^\circ\text{C/W}$	Mounted on PC board FR4 with minimum pad size
Wt Approximate Weight	0.006	gr	
Case Style	SOT323		
Device Marking	JY $\overline{\text{W}}$ LC		

(*) $\frac{dP_{tot}}{dT_J} < \frac{1}{R_{th(j-a)}}$ thermal runaway condition for a diode on its own heatsink

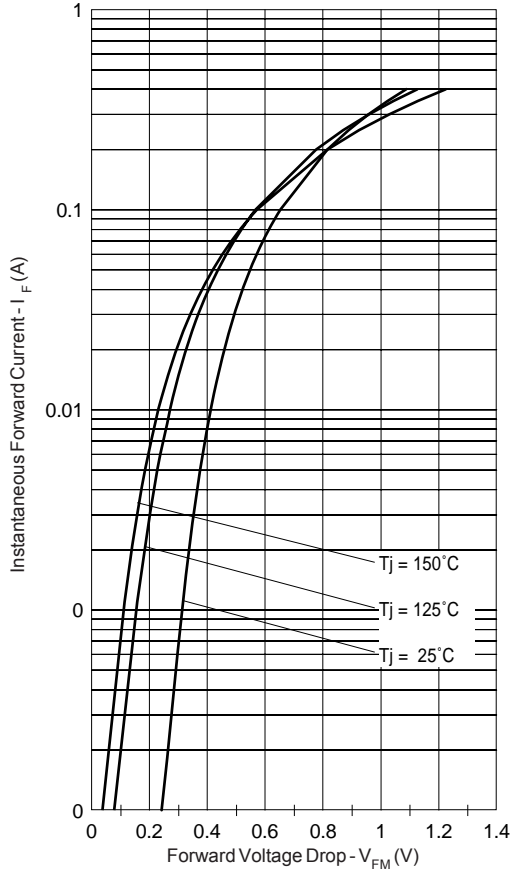


Fig. 1 - Max. Forward Voltage Drop Characteristics (Per Leg)

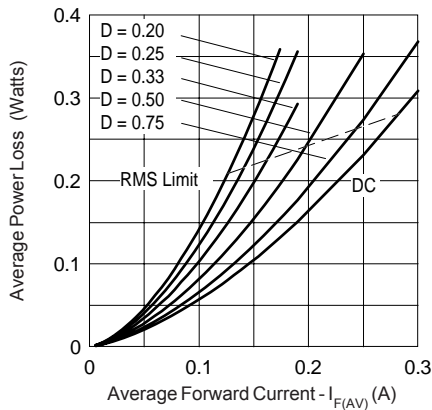


Fig. 4 - Forward Power Loss Characteristics

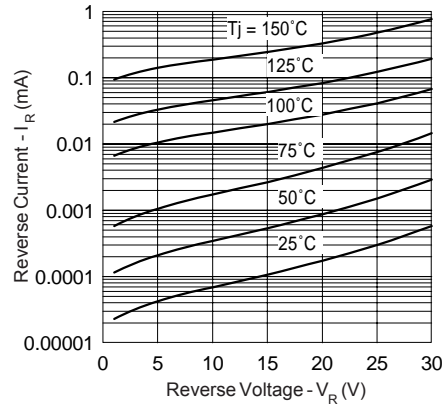


Fig. 2 - Typical Values Of Reverse Current Vs. Reverse Voltage (Per Leg)

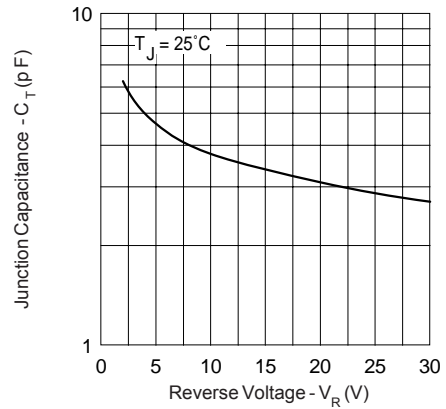


Fig. 3 - Typical Junction Capacitance Vs. Reverse Voltage (Per Leg)

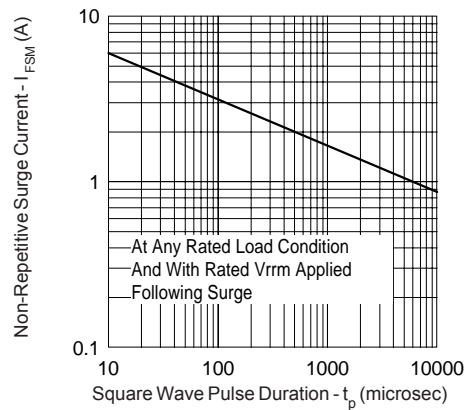
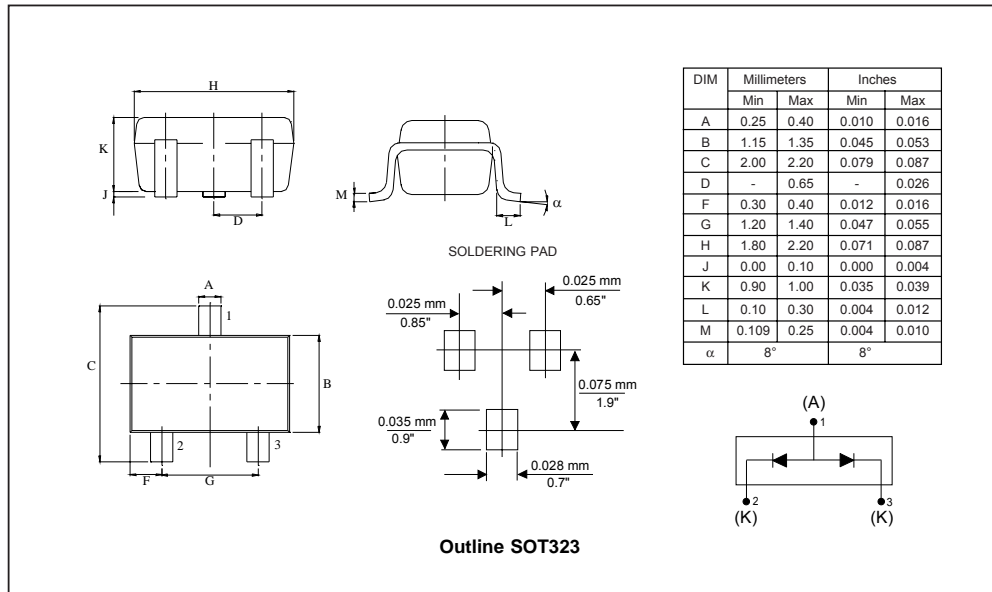
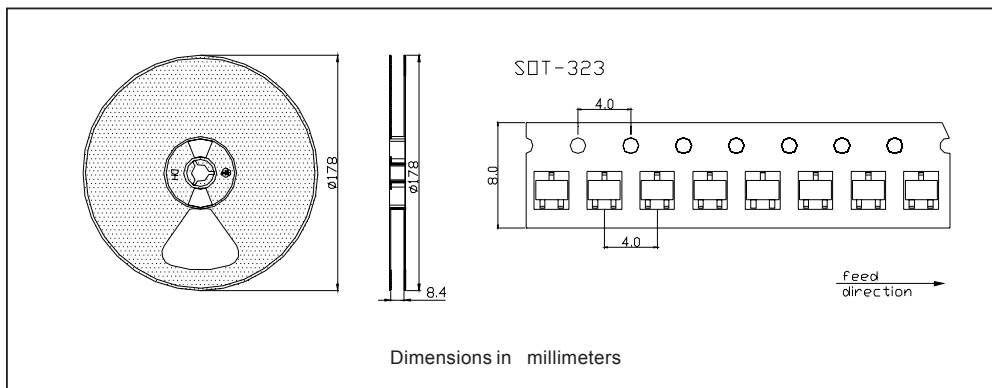


Fig. 5 - Max. Non-Repetitive Surge Current

Outline Table



Tape & Reel Information



Ordering Information Table

Device	Package	Marking	Configuration	Base qty	Delivery mode
BAT54AW	SOT-323	JY \bar{W} LC	Dual C. Anode	3000	Tape & Reel

Data and specifications subject to change without notice.
This product has been designed and qualified for Industrial Level and Lead-Free.
Qualification Standards can be found on IR's Web site.

International
IOR Rectifier

IR WORLD HEADQUARTERS: 233 Kansas St., El Segundo, California 90245, USA Tel: (310) 252-7105
TAC Fax: (310) 252-7309
04/06



Notice

The products described herein were acquired by Vishay Intertechnology, Inc., as part of its acquisition of International Rectifier's Power Control Systems (PCS) business, which closed in April 2007. Specifications of the products displayed herein are pending review by Vishay and are subject to the terms and conditions shown below.

Specifications of the products displayed herein are subject to change without notice. Vishay Intertechnology, Inc., or anyone on its behalf, assumes no responsibility or liability for any errors or inaccuracies.

Information contained herein is intended to provide a product description only. No license, express or implied, by estoppel or otherwise, to any intellectual property rights is granted by this document. Except as provided in Vishay's terms and conditions of sale for such products, Vishay assumes no liability whatsoever, and disclaims any express or implied warranty, relating to sale and/or use of Vishay products including liability or warranties relating to fitness for a particular purpose, merchantability, or infringement of any patent, copyright, or other intellectual property right.

The products shown herein are not designed for use in medical, life-saving, or life-sustaining applications. Customers using or selling these products for use in such applications do so at their own risk and agree to fully indemnify Vishay for any damages resulting from such improper use or sale.

International Rectifier®, IR®, the IR logo, HEXFET®, HEXSense®, HEXDIP®, DOL®, INTERO®, and POWIRTRAIN® are registered trademarks of International Rectifier Corporation in the U.S. and other countries. All other product names noted herein may be trademarks of their respective owners.