

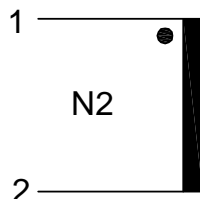


AlfaMag Electronics

CT Series • Current Sensor for 50/60 Hz

Part Number	CT 1075
Customer	
Product Type	Current transformer

**SCHEMATIC:**



**ELECTRICAL SPECIFICATION:**

- Rated input current : 75Amps
- Primary to Secondary isolation : 2500VAC
- Operating frequency : 50 / 60Hz
- Turns ratio : 1:1000
- DCR : 24Ω
- I<sub>o</sub> @ V<sub>rms</sub> = 9.26V : 1520μArms
- Ratio correction factor (RCF\*) : 1.001 @10% (Multiply current reading by this factor to compensate for transformer losses)

Volt/Amp at rated I <sub>p</sub> for different loads			
100Ω	500Ω	2000Ω	5000Ω
0.10	0.39	0.57	0.65

**LOAD TEST DETAILS:**

Rated I<sub>p</sub>=75A  
 R<sub>L</sub>=100Ω/0.570W  
 U<sub>s</sub>=7.5V

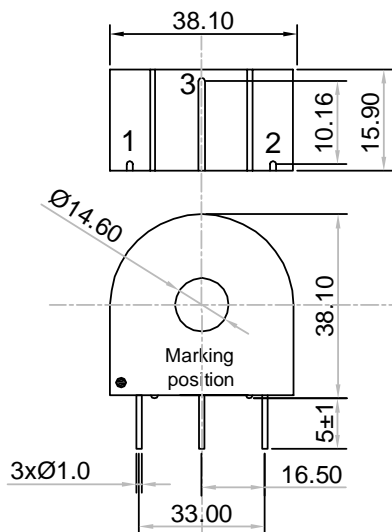
**MARKING INFORMATION:**

ALFAMAG  
 ELECTRONICS  
 YY/WW CT1075

**Trafo Weight:**

0.066Kg/pc

**MECHANICAL DIMENSIONS:**



All dimensions are in mm  
 Linear dimensional tolerance ±0.2mm

AlfaMag Electronics \* 10830 Kinghurst Drive \* Houston, TX 77099  
 Phone: 832-775-1318 \* Fax: 832-775-1317 \* email: [support@alfamag.com](mailto:support@alfamag.com)  
 Toll Free: 800-413-6693 \* [www.alfamag.com](http://www.alfamag.com)