

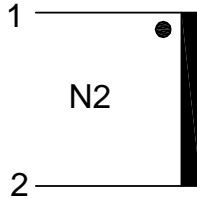


AlfaMag Electronics

CT Series • Current Sensor for 50/60 Hz

Part Number	CT 1060
Customer	
Product Type	Current transformer

SCHEMATIC:



ELECTRICAL SPECIFICATION:

- Rated input current : 60Amps
- Primary to Secondary isolation : 2500VAC
- Operating frequency : 50 / 60Hz
- Turns ratio : 1:1000
- DCR : 24Ω
- $I_o @ V_{rms} = 7.41V$: 1250μArms
- Ratio correction factor (RCF*) : 1.001 @10% (Multiply current reading by this factor to compensate for transformer losses)

Volt/Amp at rated I_p for different loads			
100Ω	500Ω	2000Ω	5000Ω
0.10	0.44	0.66	0.76

LOAD TEST DETAILS:

Rated $I_p=60A$
 $R_L=100Ω/0.360W$
 $U_s=6.0V$

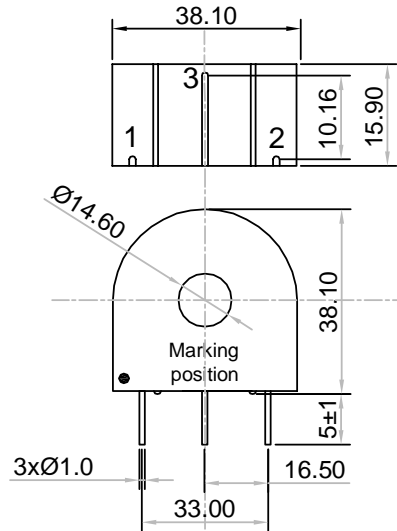
MARKING INFORMATION:

ALFAMAG
 ELECTRONICS
 YY/WW CT1060

Trafo Weight:

0.066Kg/pc

MECHANICAL DIMENSIONS:



All dimensions are in mm
 Linear dimensional tolerance $\pm 0.2mm$

AlfaMag Electronics * 10830 Kinghurst Drive * Houston, TX 77099
 Phone: 832-775-1318 * Fax: 832-775-1317 * email: support@alfamag.com
 Toll Free: 800-413-6693 * www.alfamag.com