

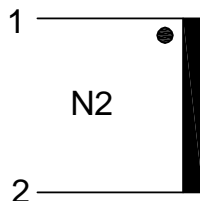


AlfaMag Electronics

CT Series • Current Sensor for 50/60 Hz

Part Number	CT 1025
Customer	
Product Type	Current transformer

SCHEMATIC:



ELECTRICAL SPECIFICATION:

- Rated input current : 25Amps
- Primary to Secondary isolation : 2500VAC
- Operating frequency : 50 / 60Hz
- Turns ratio : 1:1000
- DCR : 48Ω
- $I_o @ V_{rms} = 3.65V$: 566μArms
- Ratio correction factor (RCF*) : 1.020 @10% (Multiply current reading by this factor to compensate for transformer losses)

Volt/Amp at rated I_p for different loads			
100Ω	500Ω	2000Ω	5000Ω
0.10	0.47	1.06	1.31

LOAD TEST DETAILS:

Rated $I_p=25A$
 $R_L=100\Omega/0.063W$
 $U_s=2.5V$

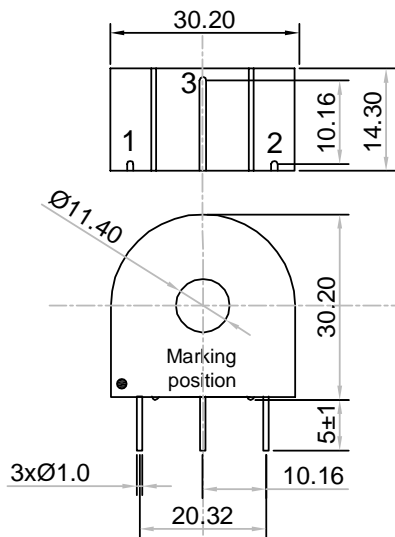
MARKING INFORMATION:

ALFAMAG
 ELECTRONICS
 YY/WW CT1025

Trafo Weight:

0.036Kg/pc

MECHANICAL DIMENSIONS:



All dimensions are in mm
 Linear dimensional tolerance $\pm 0.2mm$

AlfaMag Electronics * 10830 Kinghurst Drive * Houston, TX 77099
 Phone: 832-775-1318 * Fax: 832-775-1317 * email: support@alfamag.com
 Toll Free: 800-413-6693 * www.alfamag.com