

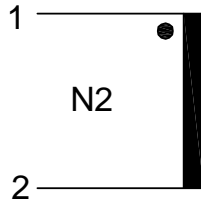


AlfaMag Electronics

CT Series • Current Sensor for 50/60 Hz

Part Number	CT 1005
Customer	
Product Type	Current Transformer

SCHEMATIC:



ELECTRICAL SPECIFICATION:

- Rated input current : 5Amps
- Primary to Secondary isolation : 2500VAC
- Operating frequency : 50 / 60Hz
- Turns ratio : 1:1000
- DCR : 41.80Ω
- I_o @ V_{rms} = 0.66V : 237μArms
- Ratio correction factor (RCF*) : 1.01 @10% (Multiply current reading by this factor to compensate for transformer losses)

Volt/Amp at rated I _p for different loads			
100Ω	500Ω	2000Ω	5000Ω
0.10	0.46	1.43	2.01

LOAD TEST DETAILS:

Rated I_p=5A
 R_L=100Ω/0.0025W
 U_s=0.5V

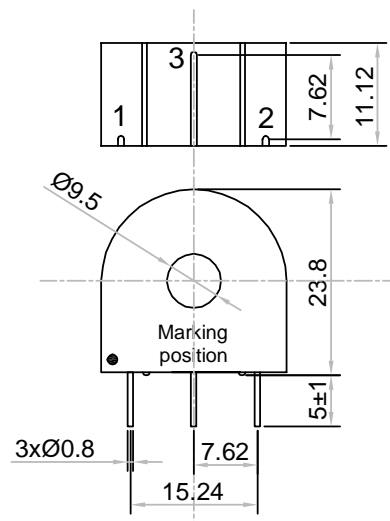
MARKING INFORMATION:

ALFAMAG
 ELECTRONICS
 YY/WW CT1005

Trafo Weight:

0.017Kg/pc

MECHANICAL DIMENSIONS:



All dimensions are in mm
 Linear dimensional tolerance ±0.2mm

AlfaMag Electronics * 10830 Kinghurst Drive * Houston, TX 77099
 Phone: 832-775-1318 * Fax: 832-775-1317 * email: support@alfamag.com
 Toll Free: 800-413-6693 * www.alfamag.com