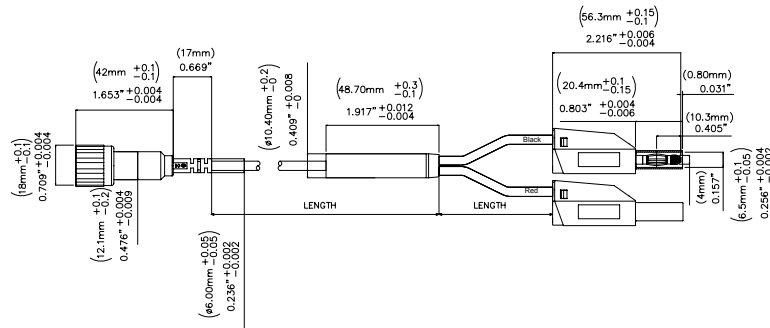


**Models 72927  
Insulated BNC (M) / 4mm Plugs**



**Features**

- Insulated BNC (M) / 4mm Plugs, 50Ω

**Materials**

Connector:

- Connector body: Nickel plated Brass
- Center Contact: Gold Plated Brass
- Dielectric: White PTFE

Plugs:

- Plug spring: Nickel plated bronze Beryllium copper.
- Plug Body: Nickel plated Brass
- Insulation Tip: Polysulfone
- Plug Insulation: Polypropylene
- Wire: PVC Jacket

**Ordering Information**

Model: 72927-C-Length

Available Lengths: 40 inches (-40) or 80 inches (-80)

**Specifications**

Max Current	3 A Max
Max Voltage	500 V CAT I 150 V CAT III
Cable	50 Ω

**USA:** Sales: 800-490-2361 Technical Support: 800-241-2060 Fax: 888-403-3360

**Europe:** 31-(0) 40 2675 150 **International:** 425-446-5500

e-mail: [technicalsupport@pomonatest.com](mailto:technicalsupport@pomonatest.com)

Where to Buy: [www.pomonaelectronics.com](http://www.pomonaelectronics.com)

All dimensions are in inches. Tolerances (except noted): .xx = ±.02" (.51 mm), .xxx = ±.005" (.127 mm). All specifications are to the latest revisions. Specifications are subject to change without notice. Registered trademarks are the property of their respective companies.