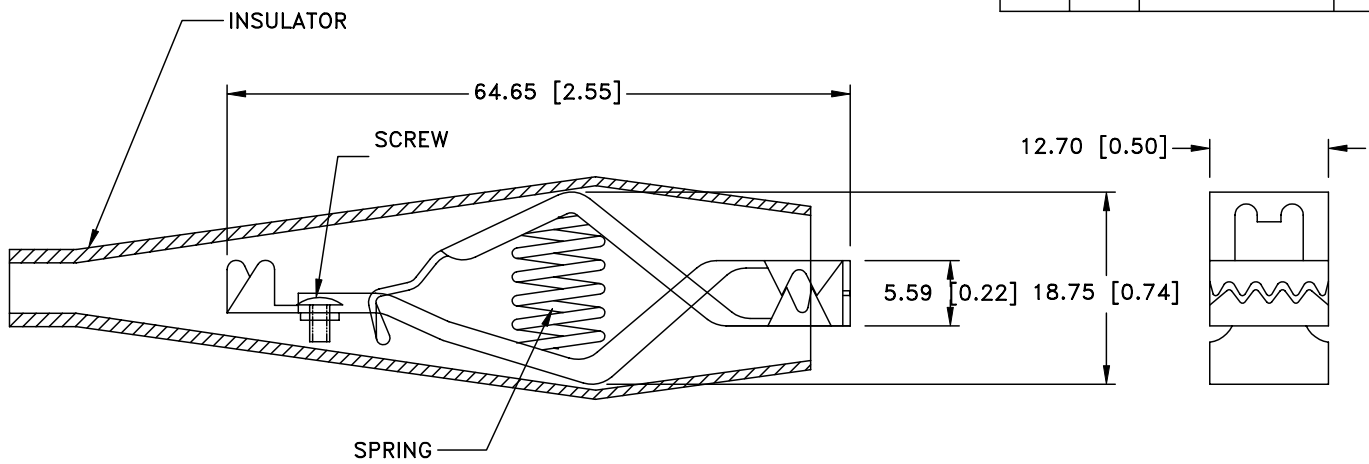



Date	SYM	REVISION RECORD	AUTH	DR.	CK.



NOTES:

MATERIAL:

INSULATOR: PVC, BLACK
 CLIP: 302 STN. STL., SPRING TEMPER, NICKEL
 PLTD.
 SPRING: STN. STL.
 SCREW; STN.STL.

Tolerance (Except as noted)	 Memory Protection Devices, Inc 200 Broad Hollow Road, Farmingdale, New York 11735		
decimal		Scale	Drawn By B.S.
±.5 (.020)			Approved By T.B.
Fractional	Title		
± .8 (.030)	INSULATED BATTERY CLIP		
Angular	Date	Drawing Number	
± 3°	04/05/03	ZB3021-B	