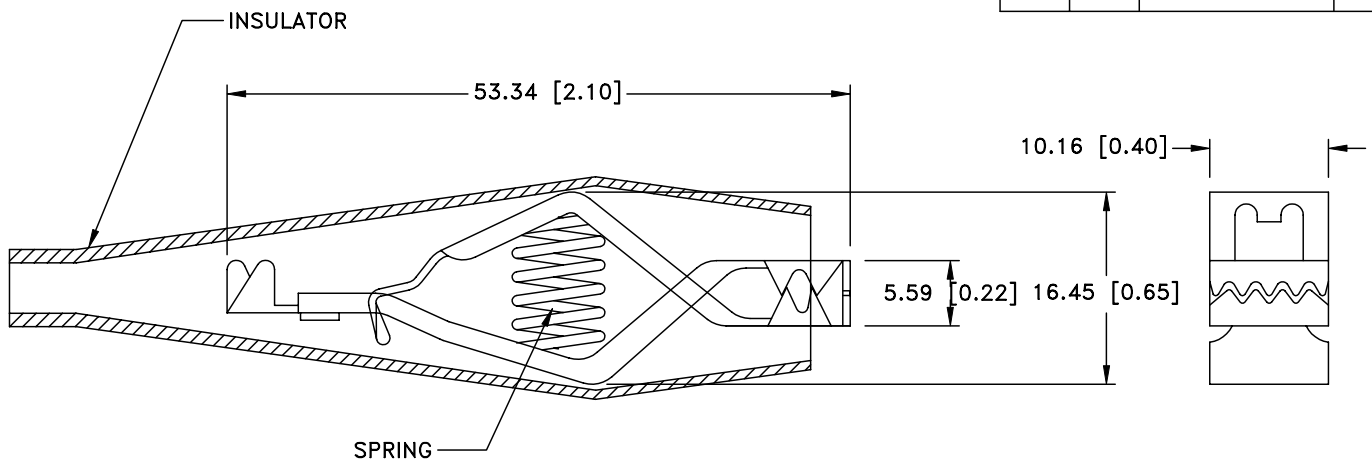



Date	SYM	REVISION RECORD	AUTH	DR.	CK.



NOTES:  
**MATERIAL:**  
 INSULATOR: PVC, BLACK  
 CLIP: 302 STN. STL., SPRING TEMPER, NICKEL  
 PLTD.  
 SPRING: STN. STL.

Tolerance (Except as noted)	 <b>Memory Protection Devices, Inc</b> 200 Broad Hollow Road, Farmingdale, New York 11735		
decimal		Scale	Drawn By B.S.
±.5 (.020)			Approved By T.B.
Fractional	Title		
± .8 (.030)	INSULATED BATTERY CLIP		
Angular	Date	Drawing Number	
± 3°	04/05/03	ZB3020-B	