

R120LC Series

DC-Operated Rotary Variable Inductance Transducer (RVIT)

DESCRIPTION

The **R120LC Series** is a DC operated noncontact rotary transducer. The R120LC proprietary design incorporates a set of printed circuit coils and a conductive spoiler to achieve superior performance and low cost. The digital circuit is very resistant to environmental disturbances and ideally suited to most industrial applications. The R120LC utilizes non-contacting technology, and does not suffer the wear problems experienced by potentiometers.

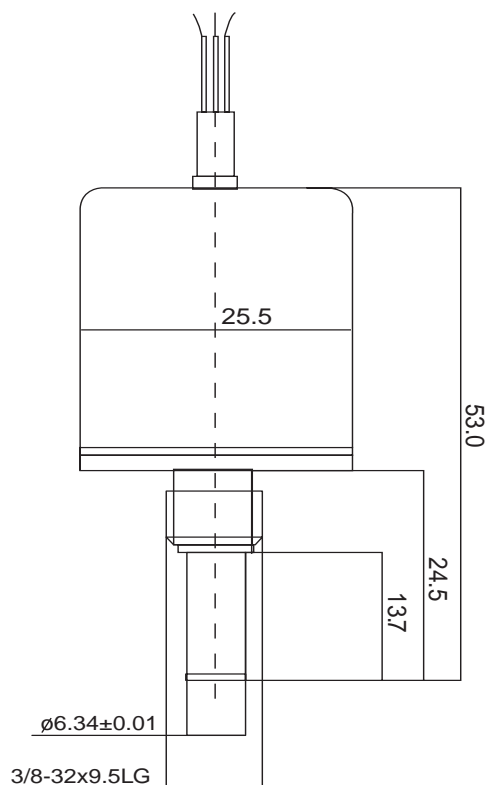


FEATURES

- ◆ Offer Wide Operating Temperature Range
- ◆ Infinite Resolution
- ◆ Virtually Infinite Rotational Life

dimensions

in (mm)



specifications

Full Range	±60°
Input Voltage (nom)	4.75-5.25V
Output Voltage (nom)	0.5-4.5
Input Current (max)	21 mA
Output Current (max)	5 mA
Output Impedance	<10 Ohms
Frequency Response	200 Hz @ -3 dB
Linearity Error	±0.5% of full scale output
Nonrepeatability & Hysteresis (max)	0.1% of full scale range output maximum
Storage Temperature Range	-65°F to 250°F (-55°C to 125°C)
Operating Temperature Range	-40°F to 185°F (-40°C to 85°C)
Temperature Coefficient of FS	±0.03% (10°C)
Lead Wires	24 AWG, PVC insulation, 4 wire, minimum 12" long