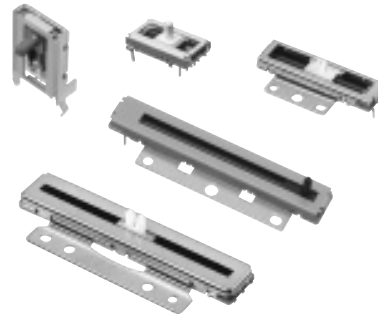


Linear Position Sensors (for reference only)

Japan  
Malaysia

Type: **EVAJ**  
**EVAWA, EVAWM (Slim Type)**  
**EVAW7 (Headlight Sensor)**



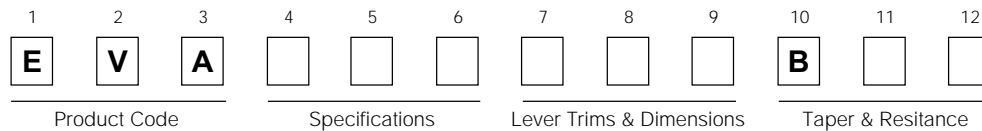
### ■ Features

- High performance that guarantees a terminal-based linearity within  $\pm 0.5\%$
- A wide variety of operation strokes
- Long life and high resolution

### ■ Recommended Applications

- Detection of still camera/camcorder lens positions
- Detection of car seat positions
- Steering wheel tilt and telescopic controller
- Car headlight angle detection sensor

### ■ Explanation Part Numbers



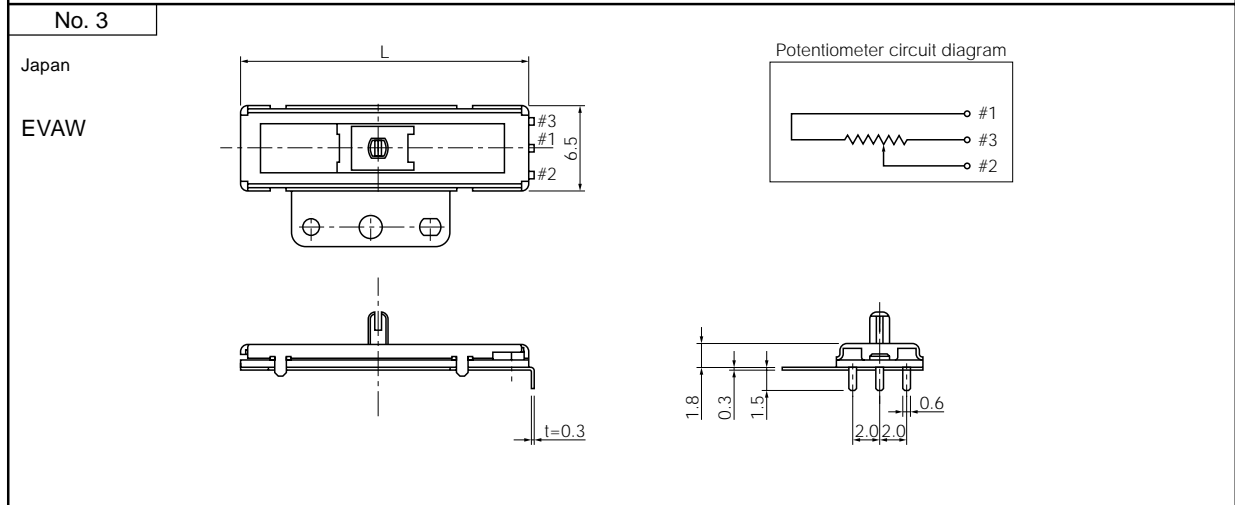
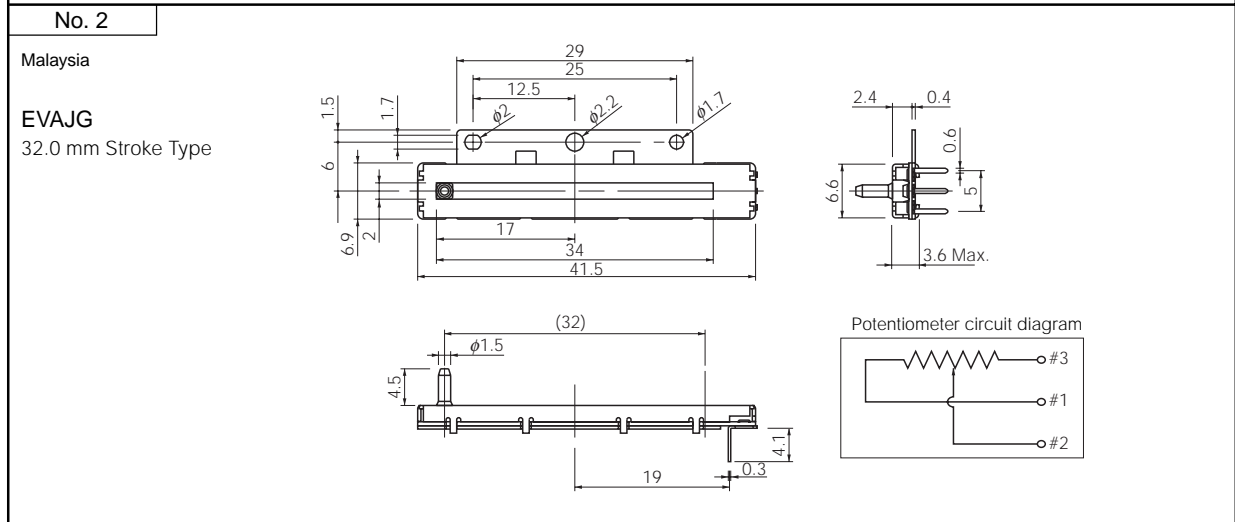
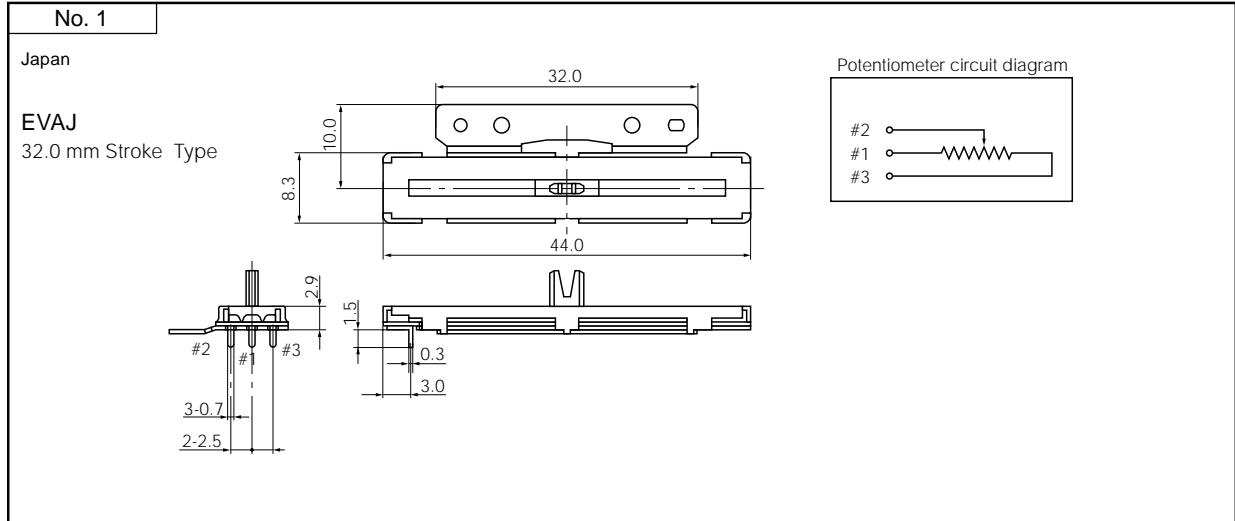
### ■ Specifications

		EVAJ, EVAWA, EVAWM	EVAW7	
Mechanical	Stroke	13.0 mm $\pm$ 0.5 mm 18.0 mm $\pm$ 0.5 mm 32.0 mm $\pm$ 0.5 mm	9.0 mm $\pm$ 0.5 mm	8.0 mm $\pm$ 0.5 mm
	Operating Force	0.25 N max. (Measurement speed: 5 mm/s to 25 mm/s)	2 N max.	1 N max.
Electrical	Linearity	$\pm 1\%$ ( $\pm 0.5\%$ )	$\pm 2\%$	$\pm 1\%$
	Total Resistance	10 k $\Omega$ $\pm$ 30 %	10 k $\Omega$ $\pm$ 30 %	4.7 k $\Omega$ $\pm$ 30 %
	Voltage Rating	5 Vdc max.	5 Vdc max.	12 Vdc max.
	Taper	B	B	
Endurance	Operating Life	100000 cycles min. (Type capable of 200000 or more operation is also available)	10000 cycles min.	10000 cycles min.
Minimum Quantity/Packing Unit		100 pcs. (Tray Pack)	300 pcs. (Tray Pack)	200 pcs. (Tray Pack)
Quantity/ Carton		500 pcs.	3000 pcs.	2000 pcs.

Design and specifications are each subject to change without notice. Ask factory for the current technical specifications before purchase and/or use. Should a safety concern arise regarding this product, please be sure to contact us immediately.

Dec. 2005

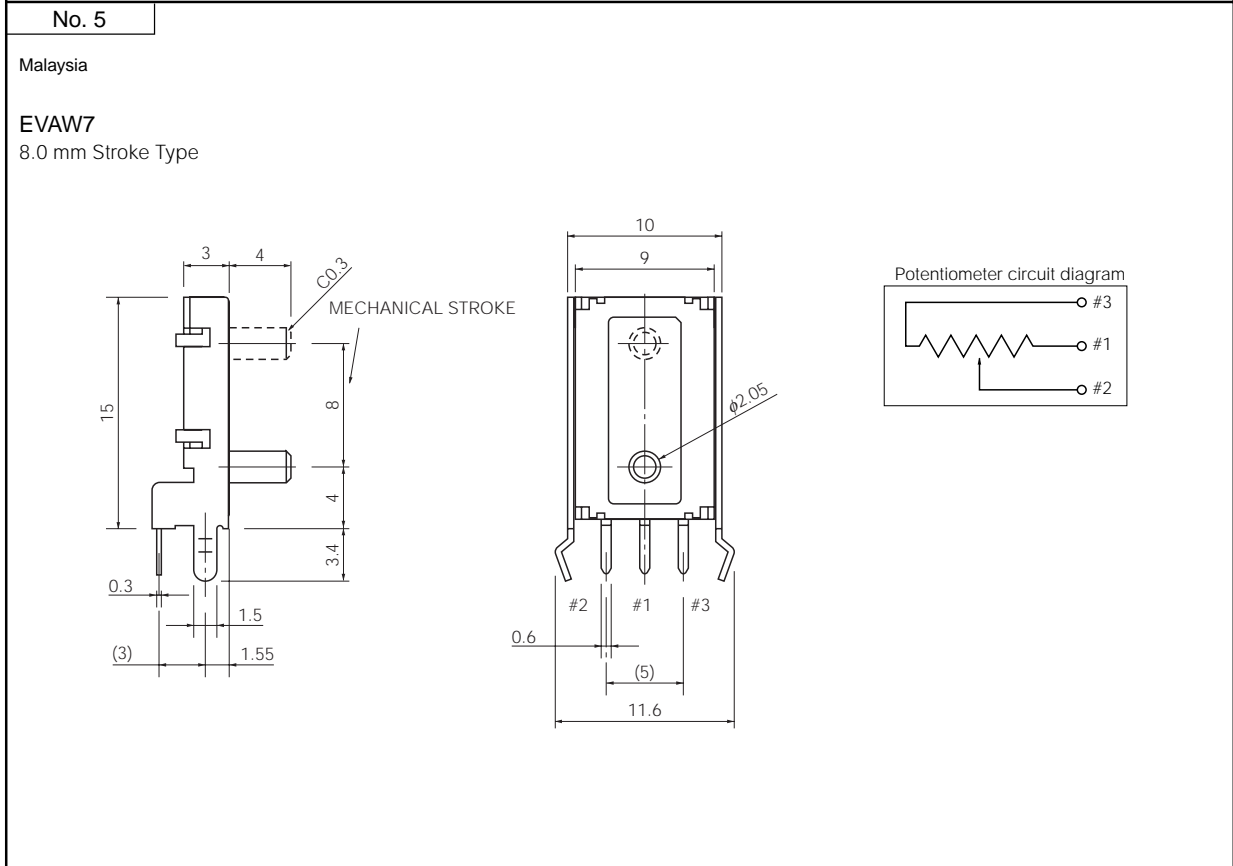
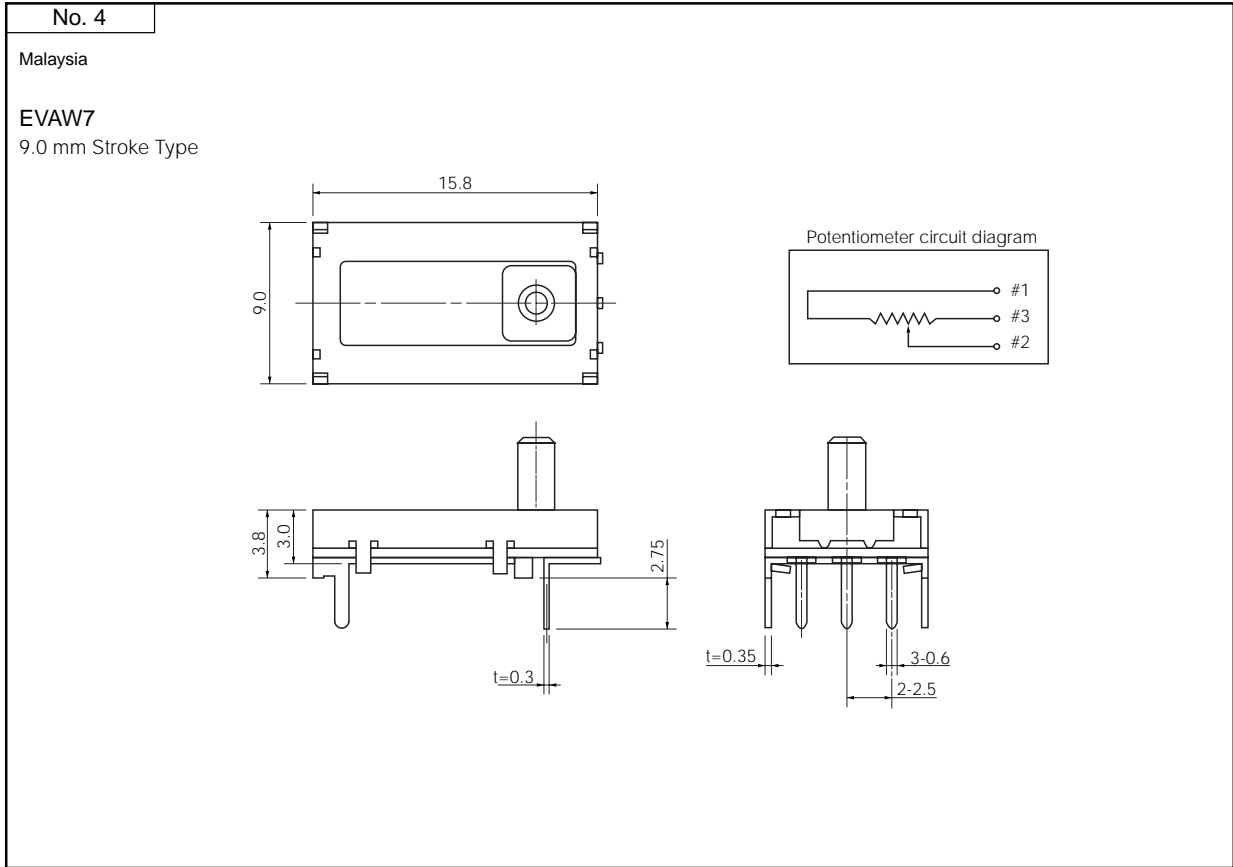
### ■ Dimensions in mm (not to scale)



Stroke type	L	Notes
EVAWA 13.0 mm	22.0 mm	1. The above figure (EVAW series) shows the 13.0 mm type. 2. The shape of the Lever and fittings can be customized.
EVAWM 18.0 mm	26.1 mm	

Design and specifications are each subject to change without notice. Ask factory for the current technical specifications before purchase and/or use. Should a safety concern arise regarding this product, please be sure to contact us immediately.

### ■ Dimensions in mm (not to scale)



Design and specifications are each subject to change without notice. Ask factory for the current technical specifications before purchase and/or use. Should a safety concern arise regarding this product, please be sure to contact us immediately.