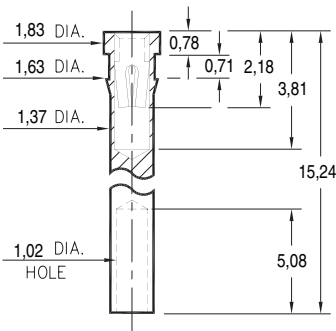
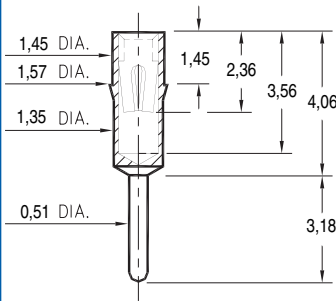


1707



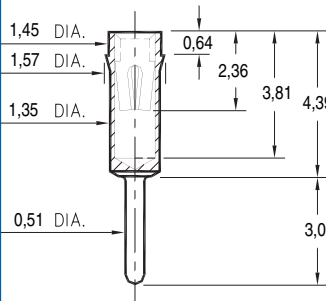
1707-0-19-XX-30-XX-10-0
Press-fit in 1,55 mounting hole

0240



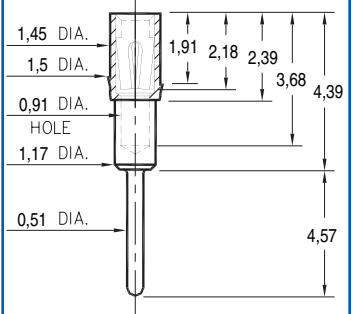
0240-0-15-XX-30-XX-04-0
Press-fit in 1,49 mounting hole

0307



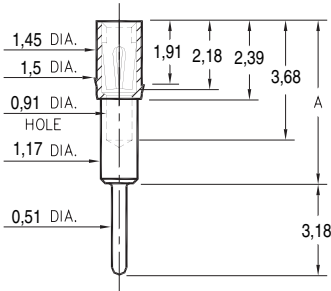
0307-0-15-XX-30-XX-04-0
Press-fit in 1,5 mounting hole

1753



1753-0-15-XX-30-XX-04-0
Press-fit in 1,45 mounting hole

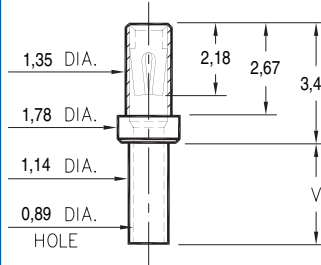
1705/1706/1762



17XX-0-15-XX-35-XX-04-0
Press-fit in 1,45 mounting hole

Basic Part Number	Height A
1705-0	4,19
1706-0	5,54
1762-0	7,62

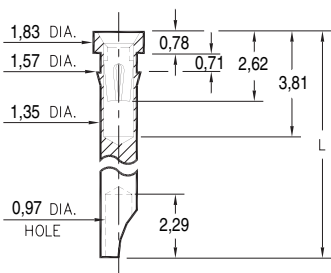
0672



0672-X-15-XX-30-XX-10-0
Swage mount in 1,24 hole

Basic Part Number	Board Thickness	Length V
0672-1	0,79	1,32
0672-2	1,57	2,13
0672-3	2,39	2,92
0672-4	3,18	3,71

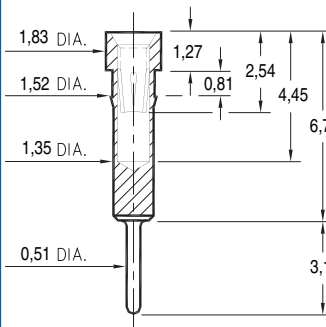
1024/1104



1XX4-0-18-XX-30-XX-10-0
Press-fit in 1,5 mounting hole

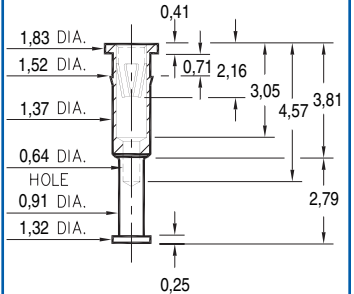
Basic Part Number	Length L
1024-0	7,37
1104-0	11,43

0498



0498-0-15-XX-35-XX-04-0
Press-fit in 1,45 mounting hole

8131



8131-0-15-XX-30-XX-10-0
Press-fit in 1,45 mounting hole

SPECIFICATIONS

SHELL MATERIAL:
Brass Alloy 360, 1/2 Hard

CONTACT MATERIAL:
Beryllium Copper Alloy 172, HT

PART MANUFACTURED IN INCHES, METRIC FOR REF ONLY

TOLERANCES ON:
LENGTHS: ± 0,13
DIAMETERS: ± 0,05
ANGLES: ± 2°

ORDER CODE: **XXXX - X - 1X - XX - XX - XX - XX - 0**

BASIC PART #

SPECIFY SHELL FINISH:

01 5,08µm TIN/LEAD OVER NICKEL

80 5,08µm TIN OVER NICKEL ◊

15 0,25µm GOLD OVER NICKEL ◊

SPECIFY CONTACT FINISH:

02 2,54µm TIN/LEAD OVER NICKEL

84 2,54µm TIN OVER NICKEL ◊

27 0,76µm GOLD OVER NICKEL ◊



SELECT CONTACT

#30 or #35 CONTACT (DATA ON PAGE 208 & 209)