

Subminiature Contacts

Material

Outer Shell — Brass per MIL-C-50

Center Conductor — Beryllium copper per QQ-C-533 (Pin); Brass per QQ-B-626 (Socket)

Inner Dielectric — Polypropylene, nylon, or polymethylpentene, general purpose

Retention Spring — Stainless steel per QQ-S-766

Ferrule — Copper per QQ-C-576

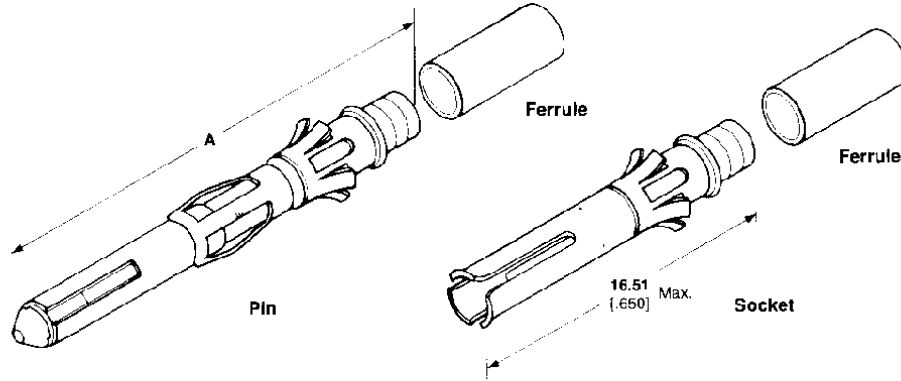
Finish

Outer Shell and Socket

Center Conductor — 0.00076 [.000030] gold over 0.00127 [.000050] nickel

Pin Center Conductor — 0.00076 [.000030] gold over 0.00254 [.000100] copper

Ferrule — Bright tin-lead per MIL-T-10727



A = Multimate Pin 25.65 [1.010]
Short Pin 22.66 [.892]

Selection Chart for Coaxial Cable

RG/U Cable	Integral Die Hand Tool	Die Insert for Tools: Hand Tool 69710-1 Pneu. Tool 69365-2, 69365-3*	Contact Part Numbers			
			Multimate Pin	Short Pin	Socket	Ferrule
178, 178A, 178B 196, 196A	69653-2	69690-2	226537-2	51563-2	51565-2	1-332057-0
*96 (Double Braid)	69653-9	—	226537-2	51563-2	51565-2	225068-1
*74, 316 188, 188A	69655	69690	226537-1	51563-1	51565-1	1-332056-0
179, 179A, 179B 187, 187A Belden 9221	69656-1	69690-1	226537-1	51563-1	51565-1	1-332056-0
RD-316	69656-7	—	226537-1	51563-1	51565-1	225068-3
187 (Dcutle Braid)	69656-8	—	226537-1	51563-1	51565-1	225068-1
161	69656-5	—	226537-1	51563-1	51565-1	1-332056-0

Selection Chart for Twisted Pairs and Shielded Wire

Wire Size		Integral Die Hand Tool	Die Insert for Tools: Hand Tool 69710-1 Pneu. Tool 69365-2, 69365-3*	Contact Part Numbers			
AWG	[mm ²]			Multimate Pin	Short Pin	Socket	Ferrule
30 (Twisted Pair, Solid)	0.05	69656-2	69690-2	226537-3	51563-3	51565-3	1-332057-0
28 (Twisted Pair, Solid)	0.08-0.09	69656	69690	226537-3	51563-3	51565-3	1-332057-0
28 (Twisted Pair, Stranded; 7 str., .005 [0.13] Dia.)	0.08-0.09	69656-1 or 69656-2	69690-1 or 69690-2	226537-3	51563-3	51565-3	1-332057-0
26 (Twisted Pair, Solid or Stranded; 7 str., .0063 [0.16] Dia.)	0.12-0.15	69656	69690	226537-3	51563-3	51565-3	1-332057-0
26 (Shielded, 0.75 [1.91] Max. O.D.)	0.12-0.15	69656-3	69690-3	226537-1	51563-1	51565-1	1-332057-0

*Includes bench mount and foot control.
Extraction Tool 305183
Note: A ferrule is required for each pin and socket.