

# Switched and Fused Filtered Power Entry Modules

For General Purpose Applications

## 64-65-BSF/64-65-SSF Series

### Features

- North American and Metric fuse holders available
- Fuse holder and double pole power ON/OFF switch provided in a convenient/compact package
- Suitable for products that must conform to FCC and FTZ requirements
- Meets over voltage category II of IEC 664 and complies with IEC 950
- Metal case provides effective EMI shielding
- Easy access fuse drawer with space for spare fuse
- Flange-mounted or snap-in styles available for quick mounting
- Operating temperature: -25°C to +85°C (including temperature rise, see graph on page 47)



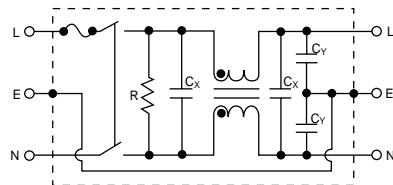
Tested and found to be IAW VDE 0565 Part 3.



### Applications

- Computers and peripheral equipment
- Electronic equipment
- Digital equipment
- Measuring and testing instruments
- Telecommunications equipment

### Circuit Diagram



### Specifications

Model*	Rated Voltage (@ 50/60Hz)	Rated Current	Leakage Current (Max.)	Capacitance			Inductance (L <sub>1</sub> )	Temperature Rise (Max.)
				C <sub>y</sub>	C <sub>x1</sub>	C <sub>x2</sub>		
64-XXX-020-3-12	250VAC	2A	0.35mA	2200pF	0.22uF	NONE	10.5mH	45°C
64-XXX-020-3-04						0.22uF		
64-XXX-020-3-14						NONE		
64-XXX-020-3-06			0.47uF					
64-XXX-020-5-12			0.50mA	3300pF	0.22uF	NONE		
64-XXX-020-5-04						0.22uF		
64-XXX-020-5-14	NONE							
64-XXX-020-5-06	250VAC	4A	0.35mA	2200pF	0.22uF	NONE	4.2mH	45°C
64-XXX-040-3-12						0.22uF		
64-XXX-040-3-04						NONE		
64-XXX-040-3-14			0.47uF					
64-XXX-040-3-06			0.50mA	3300pF	0.22uF	NONE		
64-XXX-040-5-12						0.22uF		
64-XXX-040-5-04	NONE							
64-XXX-040-5-14	250VAC	6A	0.35mA	2200pF	0.22uF	NONE	1.6mH	45°C
64-XXX-060-3-12						0.22uF		
64-XXX-060-3-04						NONE		
64-XXX-060-3-14			0.47uF					
64-XXX-060-3-06			0.50mA	3300pF	0.22uF	NONE		
64-XXX-060-5-12						0.22uF		
64-XXX-060-5-04	NONE							
64-XXX-060-5-14	125VAC	2A	0.35mA	2200pF	0.22uF	NONE	10.5mH	45°C
65-XXX-020-3-12						0.22uF		
65-XXX-020-3-04						NONE		
65-XXX-020-3-14			0.47uF					
65-XXX-020-3-06			0.50mA	3300pF	0.22uF	NONE		
65-XXX-020-5-12						0.22uF		
65-XXX-020-5-04	NONE							
65-XXX-020-5-14	125VAC	4A	0.35mA	2200pF	0.22uF	NONE	4.2mH	45°C
65-XXX-040-3-12						0.22uF		
65-XXX-040-3-04						NONE		
65-XXX-040-3-14			0.47uF					
65-XXX-040-3-06			0.50mA	3300pF	0.22uF	NONE		
65-XXX-040-5-12						0.22uF		
65-XXX-040-5-04	NONE							
65-XXX-040-5-14	125VAC	6A	0.35mA	2200pF	0.22uF	NONE	1.6mH	45°C
65-XXX-060-3-12						0.22uF		
65-XXX-060-3-04						NONE		
65-XXX-060-3-14			0.47uF					
65-XXX-060-3-06			0.50mA	3300pF	0.22uF	NONE		
65-XXX-060-5-12						0.22uF		
65-XXX-060-5-04	NONE							
65-XXX-060-5-14	125VAC	2A	0.35mA	2200pF	0.22uF	NONE	10.5mH	45°C
65-XXX-060-5-06						0.22uF		
65-XXX-060-5-06						NONE		
65-XXX-060-5-06			0.47uF					
65-XXX-060-5-06			0.50mA	3300pF	0.22uF	NONE		
65-XXX-060-5-06						0.22uF		
65-XXX-060-5-06	NONE							

Note: Test Voltage 1500VAC one minute, line to ground  
Insulation Resistance: 300 MΩ min. at 500VDC  
B(S) = Bolt-in terminals or (Snap-in terminals)

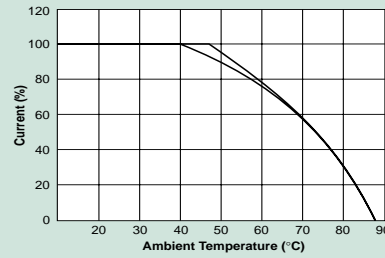
Voltage Drop: 1V max. at rated current  
Weight: 130g  
Inlet: Compatible with IEC-320

\* Substitute BSF or SSF for XXX  
BSF - Bolt-in switched and fused  
SSF - Snap-in switched and fused

# Switched and Fused Filtered Power Entry Modules

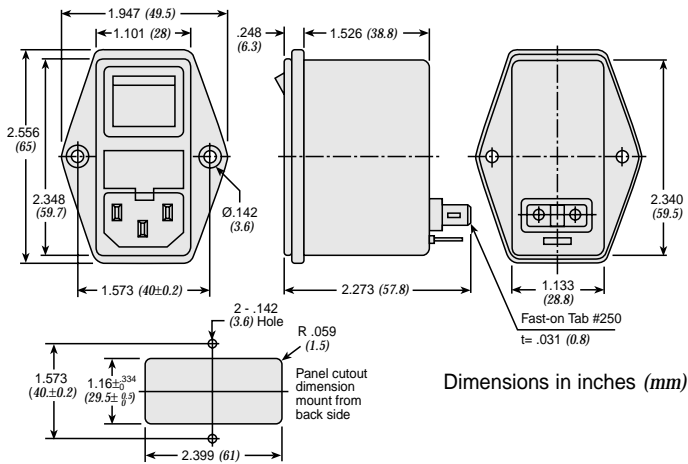
For General Purpose Applications

## Temperature Characteristics

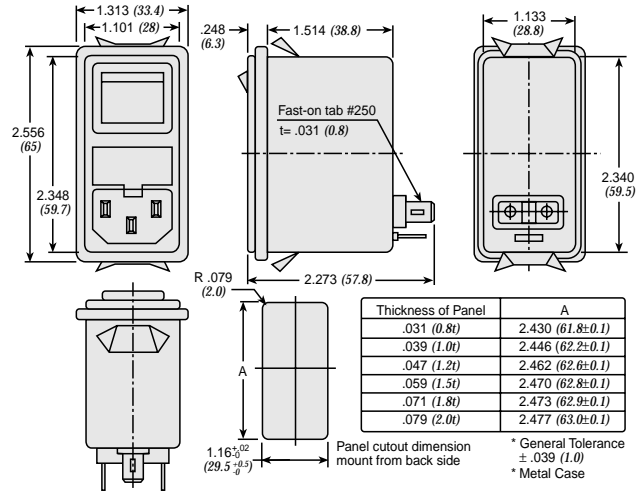


## Dimensions

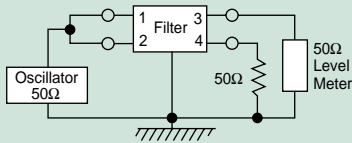
### 64/65-BSF Series



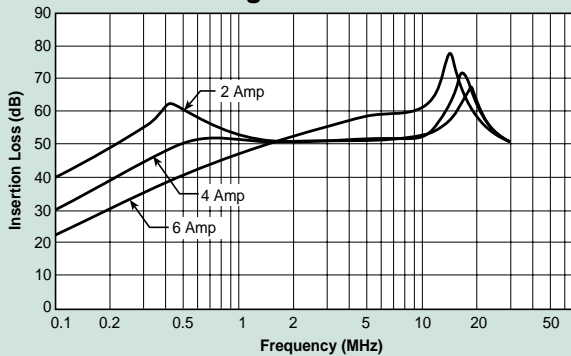
### 64/65-SSF Series



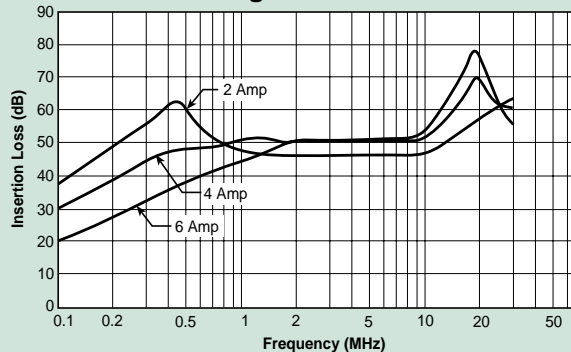
## Common Mode



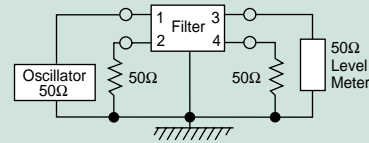
### 0.35 mA Leakage Versions



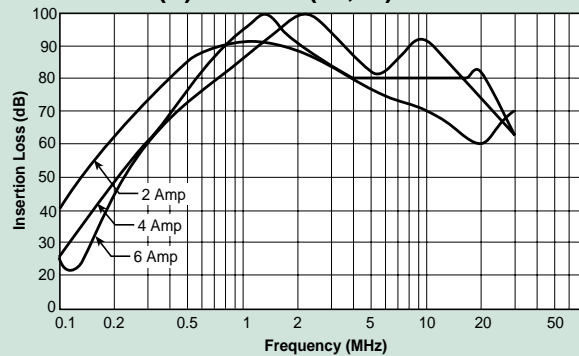
### 0.50 mA Leakage Versions



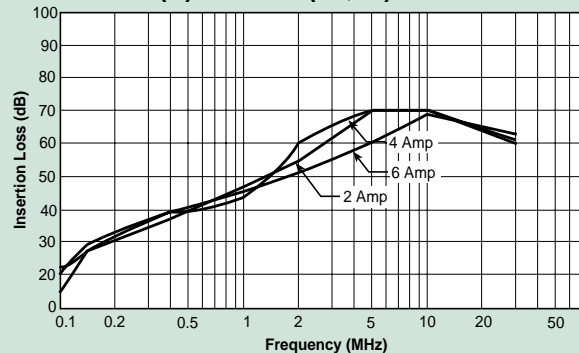
## Normal Mode



### 64/65-B(S)SF-\*-02(04,06)



### 64/65-B(S)SF-\*-11(12,14)



# Switched and Fused Filtered Power Entry Modules

For Medical or General Purpose Applications

## 66-67-BSF/66-67-SSF Series



Tested and found to be IAW VDE 0565 Part 3

### Features

- Metric and North American fuse holders available
- Fuse holder and a double pole power ON/OFF switch provides a convenient/compact package
- Suitable for products that must conform to FCC and FTZ requirements
- Meets over voltage category II of IEC 664 and complies with IEC 950
- Provides susceptibility protection without the leakage current associated with line-to-ground capacitors
- Designed to meet requirements for non-patient and patient care equipment
- Metal case provides effective EMI shielding
- Easy access fuse drawer - space for spare fuse
- Flange-mounted or snap-in styles available for quick mounting
- Operating temperature: -25°C to +85°C (including temperature rise, see graph on page 49)

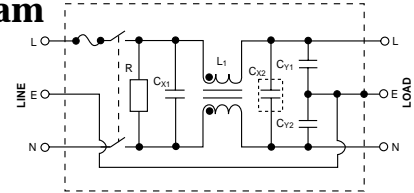


### Applications

- Medical equipment
- Industrial equipment
- Telecommunications equipment
- Measuring and testing instruments
- Digital equipment (including switching power supplies)
- General purpose filter for susceptibility or high frequency "clean up" applications

### Circuit Diagram

Note: C<sub>Y1</sub> and C<sub>Y2</sub> capacitors omitted on 66/67 B(S)F-XXX-1-X Filters



### Specifications

Model*	Rated Voltage 50/60Hz	Rated Current	Leakage Current (Max.)	Capacitance			Temp. Induct. (L <sub>1</sub> )	Rise (Max.)			
				C <sub>Y</sub>	C <sub>X1</sub>	C <sub>X2</sub>					
66-XXX-020-0-12	250 VAC	2A	.075mA	330pF	0.22uF	NONE	10.5mH	40°C			
66-XXX-020-0-04					0.22uF	NONE					
66-XXX-020-0-14					0.47uF	NONE					
66-XXX-020-0-06					0.22uF	NONE					
66-XXX-020-1-12					0.22uF	NONE					
66-XXX-020-1-04					0.22uF	NONE					
66-XXX-020-1-14			0.47uF	NONE							
66-XXX-020-1-06			0.22uF	NONE							
66-XXX-020-4-12			.01mA	NONE	470pF	0.22uF			NONE		
66-XXX-020-4-04						0.22uF			NONE		
66-XXX-020-4-14						0.47uF			NONE		
66-XXX-020-4-06						0.22uF			NONE		
66-XXX-040-0-12		4A				.075mA	330pF	0.22uF	NONE	4.2mH	45°C
66-XXX-040-0-04								0.22uF	NONE		
66-XXX-040-0-14			0.47uF	NONE							
66-XXX-040-0-06			0.22uF	NONE							
66-XXX-040-1-12			0.22uF	NONE							
66-XXX-040-1-04			0.22uF	NONE							
66-XXX-040-1-14			0.47uF	NONE							
66-XXX-040-1-06			0.22uF	NONE							
66-XXX-040-4-12			.01mA	NONE	470pF	0.22uF	NONE				
66-XXX-040-4-04						0.22uF	NONE				
66-XXX-040-4-14						0.47uF	NONE				
66-XXX-040-4-06						0.22uF	NONE				
66-XXX-060-0-12	6A	.075mA				330pF	0.22uF	NONE	1.6mH	45°C	
66-XXX-060-0-04							0.22uF	NONE			
66-XXX-060-0-14			0.47uF	NONE							
66-XXX-060-0-06			0.22uF	NONE							
66-XXX-060-1-12			0.22uF	NONE							
66-XXX-060-1-04			0.22uF	NONE							
66-XXX-060-1-14		0.47uF	NONE								
66-XXX-060-1-06		0.22uF	NONE								
66-XXX-060-4-12		.01mA	NONE	470pF	0.22uF	NONE					
66-XXX-060-4-04					0.22uF	NONE					
66-XXX-060-4-14					0.47uF	NONE					
66-XXX-060-4-06					0.22uF	NONE					

Model*	Rated Voltage 50/60Hz	Rated Current	Leakage Current (Max.)	Capacitance			Temp. Induct. (L <sub>1</sub> )	Rise (Max.)					
				C <sub>Y</sub>	C <sub>X1</sub>	C <sub>X2</sub>							
67-XXX-020-0-12	125 VAC	2A	0.04mA	330pF	0.22uF	NONE	10.5mH	40°C					
67-XXX-020-0-04					0.22uF	NONE							
67-XXX-020-0-14					0.47uF	NONE							
67-XXX-020-0-06					0.22uF	NONE							
67-XXX-020-1-12					0.22uF	NONE							
67-XXX-020-1-04					0.22uF	NONE							
67-XXX-020-1-14			0.47uF	NONE									
67-XXX-020-1-06			0.22uF	NONE									
67-XXX-020-4-12			.005mA	NONE	470pF	0.22uF			NONE	4.2mH	45°C		
67-XXX-020-4-04						0.22uF			NONE				
67-XXX-020-4-14						0.47uF			NONE				
67-XXX-020-4-06						0.22uF			NONE				
67-XXX-040-0-12		4A				0.04mA	330pF	0.22uF	NONE			1.6mH	45°C
67-XXX-040-0-04								0.22uF	NONE				
67-XXX-040-0-14			0.47uF	NONE									
67-XXX-040-0-06			0.22uF	NONE									
67-XXX-040-1-12			0.22uF	NONE									
67-XXX-040-1-04			0.22uF	NONE									
67-XXX-040-1-14			0.47uF	NONE									
67-XXX-040-1-06			0.22uF	NONE									
67-XXX-040-4-12			.005mA	NONE	470pF	0.22uF	NONE						
67-XXX-040-4-04						0.22uF	NONE						
67-XXX-040-4-14						0.47uF	NONE						
67-XXX-040-4-06						0.22uF	NONE						
67-XXX-060-0-12	6A	0.04mA				330pF	0.22uF	NONE	1.6mH	45°C			
67-XXX-060-0-04							0.22uF	NONE					
67-XXX-060-0-14			0.47uF	NONE									
67-XXX-060-0-06			0.22uF	NONE									
67-XXX-060-1-12			0.22uF	NONE									
67-XXX-060-1-04			0.22uF	NONE									
67-XXX-060-1-14		0.47uF	NONE										
67-XXX-060-1-06		0.22uF	NONE										
67-XXX-060-4-12		.005mA	NONE	470pF	0.22uF	NONE							
67-XXX-060-4-04					0.22uF	NONE							
67-XXX-060-4-14					0.47uF	NONE							
67-XXX-060-4-06					0.22uF	NONE							

Note: Test Voltage: 1500VAC one minute, line to ground  
Insulation Resistance: 300 MΩ min. at 500VDC  
Voltage Drop: 1V max. at rated current

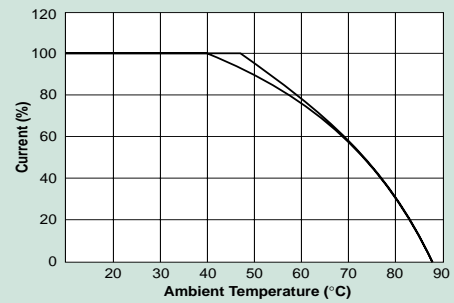
Weight: 130g  
Inlet: Compatible with IEC-320  
B(S) = Bolt-in terminals or (Snap-in terminals)

\* Substitute BSF or SSF for XXX  
BSF - Bolt-In Switched and Fused  
SSF - Snap-In Switched and Fused

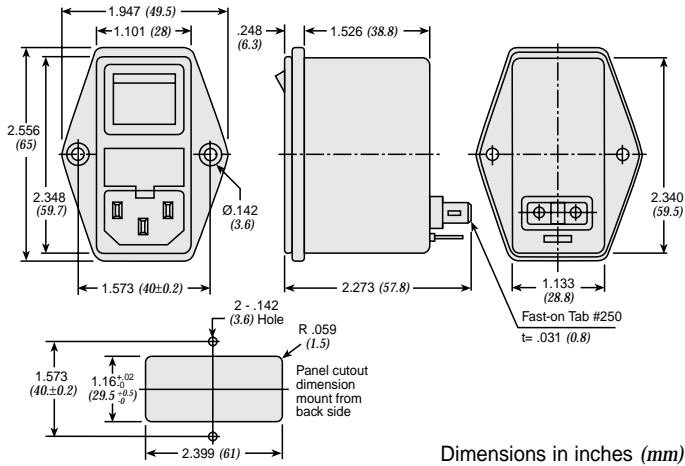
# Switched and Fused Filtered Power Entry Modules

For Medical or General Purpose Applications

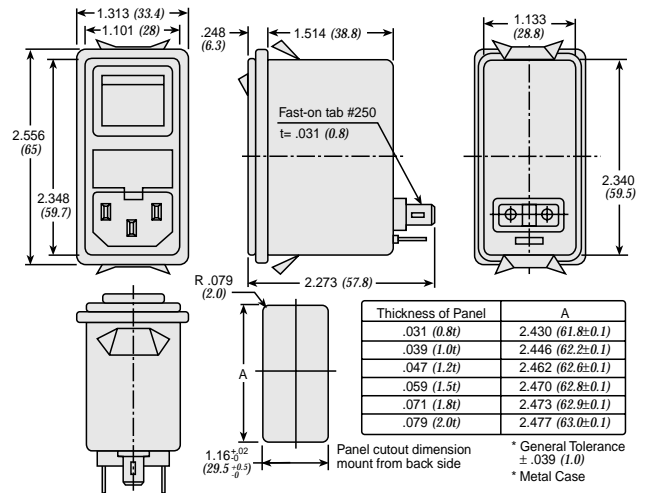
## Temperature Characteristics



## Dimensions 66/67-BSF Series

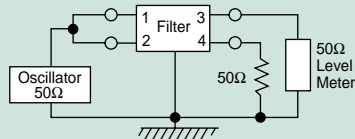


## 66/67-SSF Series

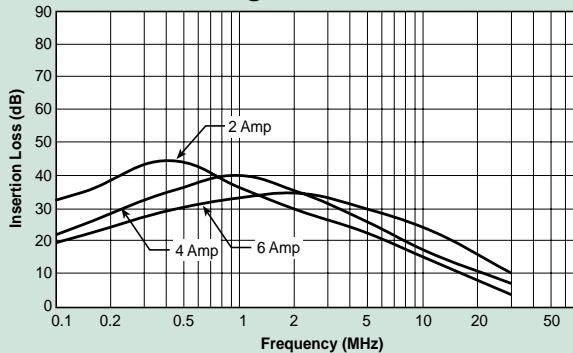


Switched and Fused Filtered Power Entry Modules

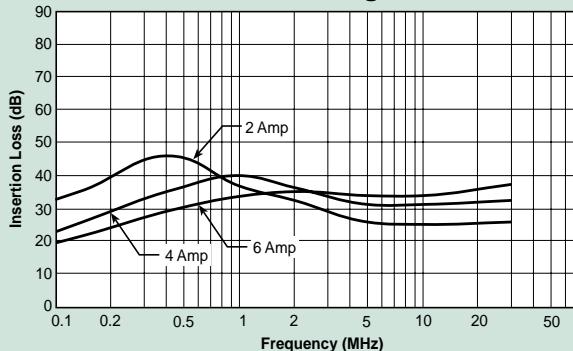
## Common Mode



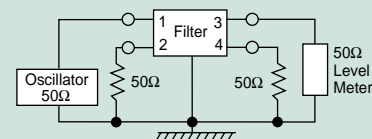
### 0.01 mA Leakage Current



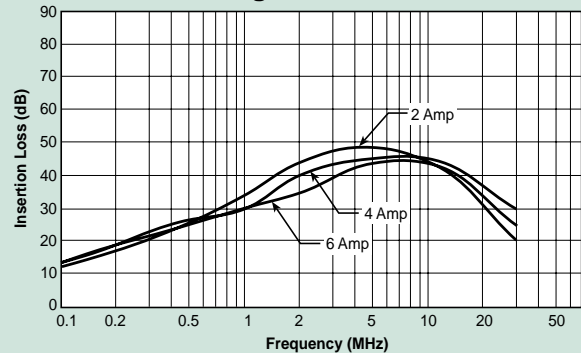
### 0.075 and 0.1 mA Leakage Current



## Normal Mode



### 0.01 mA Leakage Current



### 0.075 and 0.1 mA Leakage Current

