

Switched and Fused Filtered Power Entry Modules

For General Purpose Applications

64-65-BSF/64-65-SSF Series

Features

- North American and Metric fuse holders available
- Fuse holder and double pole power ON/OFF switch provided in a convenient/compact package
- Suitable for products that must conform to FCC and FTZ requirements
- Meets over voltage category II of IEC 664 and complies with IEC 950
- Metal case provides effective EMI shielding
- Easy access fuse drawer with space for spare fuse
- Flange-mounted or snap-in styles available for quick mounting
- Operating temperature: -25°C to +85°C (including temperature rise, see graph on page 47)



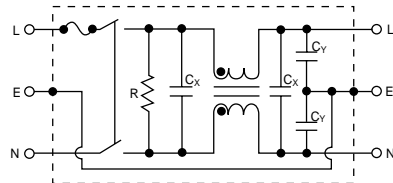
Tested and found to be IAW VDE 0565 Part 3.



Applications

- Computers and peripheral equipment
- Digital equipment
- Electronic equipment
- Measuring and testing instruments
- Telecommunications equipment

Circuit Diagram



Specifications

Model*	Rated Voltage (@ 50/60Hz)	Rated Current	Leakage Current (Max.)	Capacitance			Inductance (L ₁)	Temperature Rise (Max.)
				C _Y	C _{X1}	C _{X2}		
64-XXX-020-3-12	250VAC	2A	0.35mA	2200pF	0.22uF	NONE	10.5mH	45°C
64-XXX-020-3-04						0.22uF		
64-XXX-020-3-14						NONE		
64-XXX-020-3-06						0.47uF		
64-XXX-020-5-12						NONE		
64-XXX-020-5-04						0.22uF		
64-XXX-020-5-14	250VAC	4A	0.50mA	3300pF	0.47uF	NONE	4.2mH	45°C
64-XXX-020-5-06						0.47uF		
64-XXX-040-3-12						NONE		
64-XXX-040-3-04						0.22uF		
64-XXX-040-3-14						NONE		
64-XXX-040-3-06						0.47uF		
64-XXX-040-5-12	250VAC	6A	0.35mA	2200pF	0.22uF	NONE	1.6mH	45°C
64-XXX-040-5-04						0.22uF		
64-XXX-040-5-14						NONE		
64-XXX-040-5-06						0.47uF		
64-XXX-060-3-12						NONE		
64-XXX-060-3-04						0.22uF		
64-XXX-060-3-14	250VAC	6A	0.50mA	3300pF	0.47uF	NONE	10.5mH	45°C
64-XXX-060-3-06						0.47uF		
64-XXX-060-5-12						NONE		
64-XXX-060-5-04						0.22uF		
64-XXX-060-5-14						NONE		
64-XXX-060-5-06						0.47uF		
65-XXX-020-3-12	125VAC	2A	0.35mA	2200pF	0.22uF	NONE	10.5mH	45°C
65-XXX-020-3-04						0.22uF		
65-XXX-020-3-14						NONE		
65-XXX-020-3-06						0.47uF		
65-XXX-020-5-12						NONE		
65-XXX-020-5-04						0.22uF		
65-XXX-020-5-14	125VAC	4A	0.50mA	3300pF	0.47uF	NONE	4.2mH	45°C
65-XXX-020-5-06						0.47uF		
65-XXX-040-3-12						NONE		
65-XXX-040-3-04						0.22uF		
65-XXX-040-3-14						NONE		
65-XXX-040-3-06						0.47uF		
65-XXX-040-5-12	125VAC	6A	0.35mA	2200pF	0.22uF	NONE	1.6mH	45°C
65-XXX-040-5-04						0.22uF		
65-XXX-040-5-14						NONE		
65-XXX-040-5-06						0.47uF		
65-XXX-060-3-12						NONE		
65-XXX-060-3-04						0.22uF		
65-XXX-060-3-14	125VAC	6A	0.50mA	3300pF	0.47uF	NONE	10.5mH	45°C
65-XXX-060-3-06						0.47uF		
65-XXX-060-5-12						NONE		
65-XXX-060-5-04						0.22uF		
65-XXX-060-5-14						NONE		
65-XXX-060-5-06						0.47uF		

Note: Test Voltage 1500VAC one minute, line to ground
Insulation Resistance: 300 MΩ min. at 500VDC
B(S) = Bolt-in terminals or (Snap-in terminals)

Voltage Drop: 1V max. at rated current
Weight: 130g
Inlet: Compatible with IEC-320

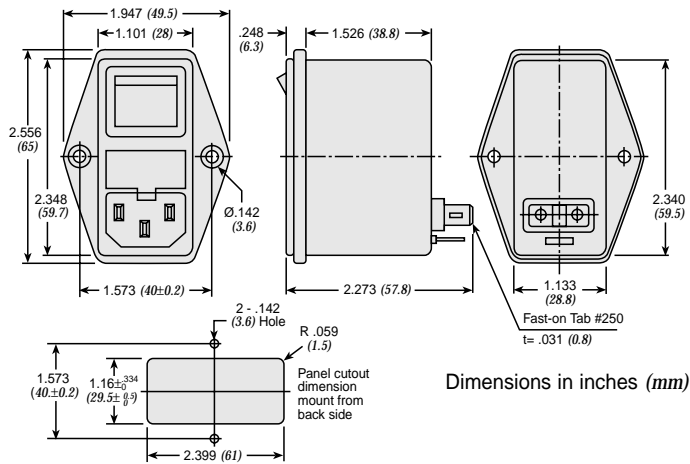
* Substitute BSF or SSF for XXX
BSF - Bolt-in switched and fused
SSF - Snap-in switched and fused

Switched and Fused Filtered Power Entry Modules

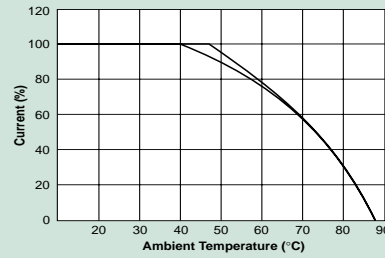
For General Purpose Applications

Dimensions

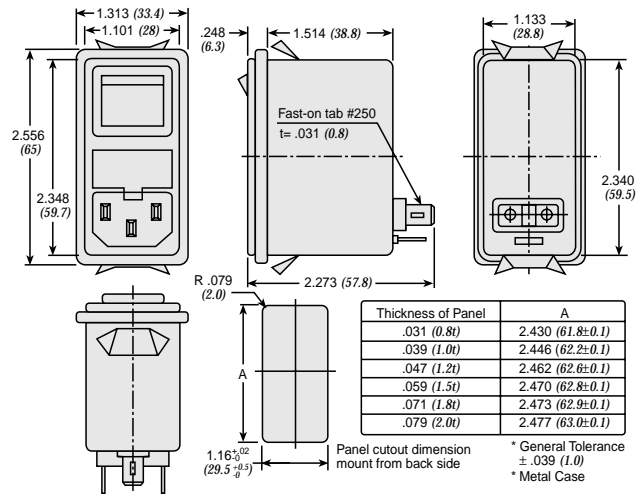
64/65-BSF Series



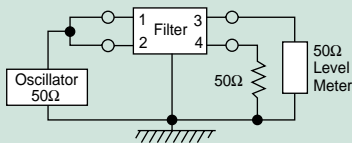
Temperature Characteristics



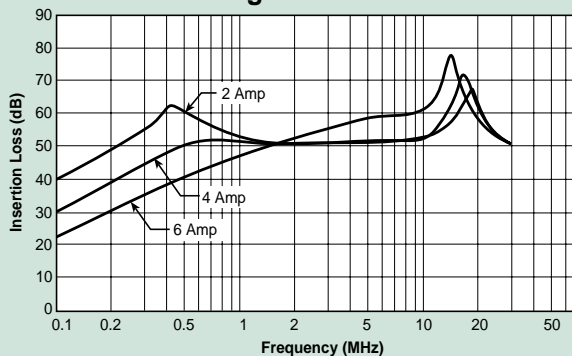
64/65-SSF Series



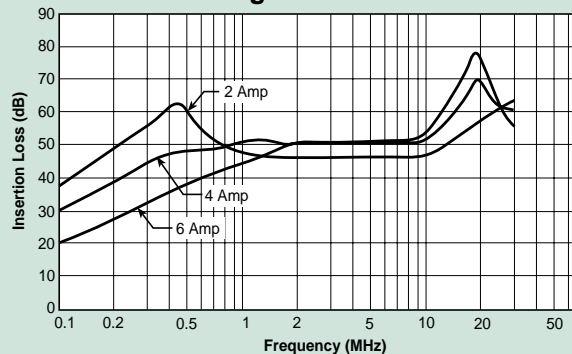
Common Mode



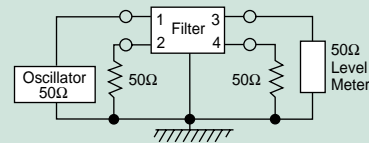
0.35 mA Leakage Versions



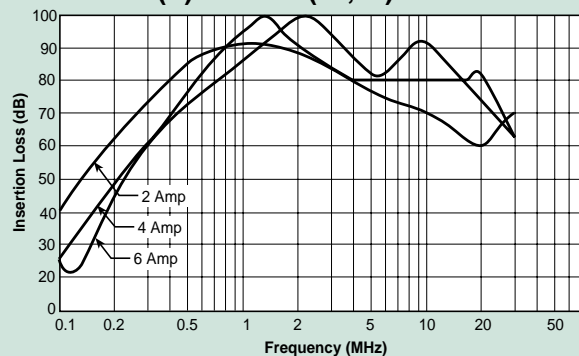
0.50 mA Leakage Versions



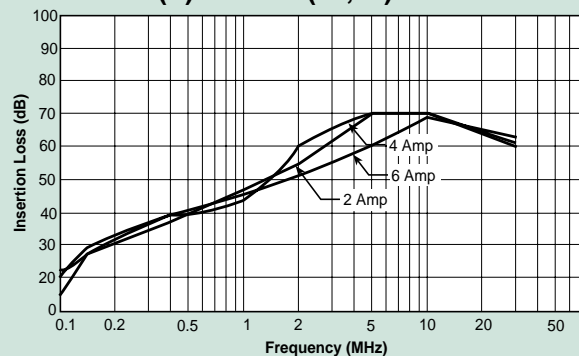
Normal Mode



64/65-B(S)SF-*-02(04,06)



64/65-B(S)SF-*-11(12,14)



Switched and Fused Filtered Power Entry Modules

For Medical or General Purpose Applications

66-67-BSF/66-67-SSF Series



Tested and found to be IAW VDE 0565 Part 3

Features

- Metric and North American fuse holders available
- Fuse holder and a double pole power ON/OFF switch provides a convenient/compact package
- Suitable for products that must conform to FCC and FTZ requirements
- Meets over voltage category II of IEC 664 and complies with IEC 950
- Provides susceptibility protection without the leakage current associated with line-to-ground capacitors
- Designed to meet requirements for non-patient and patient care equipment
- Metal case provides effective EMI shielding
- Easy access fuse drawer - space for spare fuse
- Flange-mounted or snap-in styles available for quick mounting
- Operating temperature: -25°C to +85°C (including temperature rise, see graph on page 49)

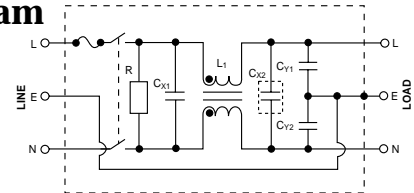


Applications

- Medical equipment
- Industrial equipment
- Telecommunications equipment
- Measuring and testing instruments
- Digital equipment (including switching power supplies)
- General purpose filter for susceptibility or high frequency "clean up" applications

Circuit Diagram

Note: C_{Y1} and C_{Y2} capacitors omitted on 66/67 B(S)F-XXX-1-X Filters



Specifications

Model*	Rated Voltage 50/60Hz	Rated Current	Leakage Current (Max.)	Capacitance			Temp. Induct. (L ₁)	Rise (Max.)			
				C _Y	C _{X1}	C _{X2}					
66-XXX-020-0-12	250 VAC	2A	.075mA	330pF	0.22uF	NONE	10.5mH	40°C			
66-XXX-020-0-04					0.22uF	NONE					
66-XXX-020-0-14					0.47uF	NONE					
66-XXX-020-0-06					0.22uF	NONE					
66-XXX-020-1-12					0.22uF	NONE					
66-XXX-020-1-04					0.22uF	NONE					
66-XXX-020-1-14			0.47uF	NONE							
66-XXX-020-1-06			0.22uF	NONE							
66-XXX-020-4-12			.01mA	NONE	470pF	0.22uF			NONE		
66-XXX-020-4-04						0.22uF			NONE		
66-XXX-020-4-14						0.47uF			NONE		
66-XXX-020-4-06						0.22uF			NONE		
66-XXX-040-0-12		4A				.075mA	330pF	0.22uF	NONE	4.2mH	45°C
66-XXX-040-0-04								0.22uF	NONE		
66-XXX-040-0-14			0.47uF	NONE							
66-XXX-040-0-06			0.22uF	NONE							
66-XXX-040-1-12			0.22uF	NONE							
66-XXX-040-1-04			0.22uF	NONE							
66-XXX-040-1-14			0.47uF	NONE							
66-XXX-040-1-06			0.22uF	NONE							
66-XXX-040-4-12			.01mA	NONE	470pF	0.22uF	NONE				
66-XXX-040-4-04						0.22uF	NONE				
66-XXX-040-4-14						0.47uF	NONE				
66-XXX-040-4-06						0.22uF	NONE				
66-XXX-060-0-12	6A	.075mA				330pF	0.22uF	NONE	1.6mH	45°C	
66-XXX-060-0-04							0.22uF	NONE			
66-XXX-060-0-14			0.47uF	NONE							
66-XXX-060-0-06			0.22uF	NONE							
66-XXX-060-1-12			0.22uF	NONE							
66-XXX-060-1-04			0.22uF	NONE							
66-XXX-060-1-14		0.47uF	NONE								
66-XXX-060-1-06		0.22uF	NONE								
66-XXX-060-4-12		.01mA	NONE	470pF	0.22uF	NONE					
66-XXX-060-4-04					0.22uF	NONE					
66-XXX-060-4-14					0.47uF	NONE					
66-XXX-060-4-06					0.22uF	NONE					

Model*	Rated Voltage 50/60Hz	Rated Current	Leakage Current (Max.)	Capacitance			Temp. Induct. (L ₁)	Rise (Max.)				
				C _Y	C _{X1}	C _{X2}						
67-XXX-020-0-12	125 VAC	2A	0.04mA	330pF	0.22uF	NONE	10.5mH	40°C				
67-XXX-020-0-04					0.22uF	NONE						
67-XXX-020-0-14					0.47uF	NONE						
67-XXX-020-0-06					0.22uF	NONE						
67-XXX-020-1-12					0.22uF	NONE						
67-XXX-020-1-04					0.22uF	NONE						
67-XXX-020-1-14			0.47uF	NONE								
67-XXX-020-1-06			0.22uF	NONE								
67-XXX-020-4-12			.005mA	NONE	470pF	0.22uF			NONE	4.2mH	45°C	
67-XXX-020-4-04						0.22uF			NONE			
67-XXX-020-4-14						0.47uF			NONE			
67-XXX-020-4-06						0.22uF			NONE			
67-XXX-040-0-12		4A				0.04mA	330pF	0.22uF	NONE			1.6mH
67-XXX-040-0-04								0.22uF	NONE			
67-XXX-040-0-14			0.47uF	NONE								
67-XXX-040-0-06			0.22uF	NONE								
67-XXX-040-1-12			0.22uF	NONE								
67-XXX-040-1-04			0.22uF	NONE								
67-XXX-040-1-14			0.47uF	NONE								
67-XXX-040-1-06			0.22uF	NONE								
67-XXX-040-4-12			.005mA	NONE	470pF	0.22uF	NONE					
67-XXX-040-4-04						0.22uF	NONE					
67-XXX-040-4-14						0.47uF	NONE					
67-XXX-040-4-06						0.22uF	NONE					
67-XXX-060-0-12	6A	0.04mA				330pF	0.22uF	NONE	1.6mH			
67-XXX-060-0-04							0.22uF	NONE				
67-XXX-060-0-14			0.47uF	NONE								
67-XXX-060-0-06			0.22uF	NONE								
67-XXX-060-1-12			0.22uF	NONE								
67-XXX-060-1-04			0.22uF	NONE								
67-XXX-060-1-14		0.47uF	NONE									
67-XXX-060-1-06		0.22uF	NONE									
67-XXX-060-4-12		.005mA	NONE	470pF	0.22uF	NONE						
67-XXX-060-4-04					0.22uF	NONE						
67-XXX-060-4-14					0.47uF	NONE						
67-XXX-060-4-06					0.22uF	NONE						

Note: Test Voltage: 1500VAC one minute, line to ground
Insulation Resistance: 300 MΩ min. at 500VDC
Voltage Drop: 1V max. at rated current

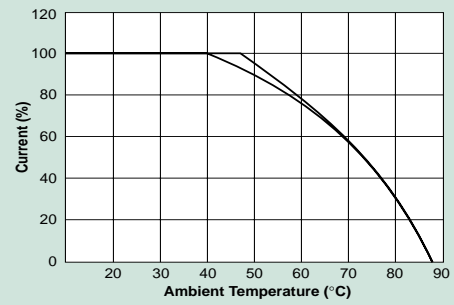
Weight: 130g
Inlet: Compatible with IEC-320
B(S) = Bolt-in terminals or (Snap-in terminals)

* Substitute BSF or SSF for XXX
BSF - Bolt-In Switched and Fused
SSF - Snap-In Switched and Fused

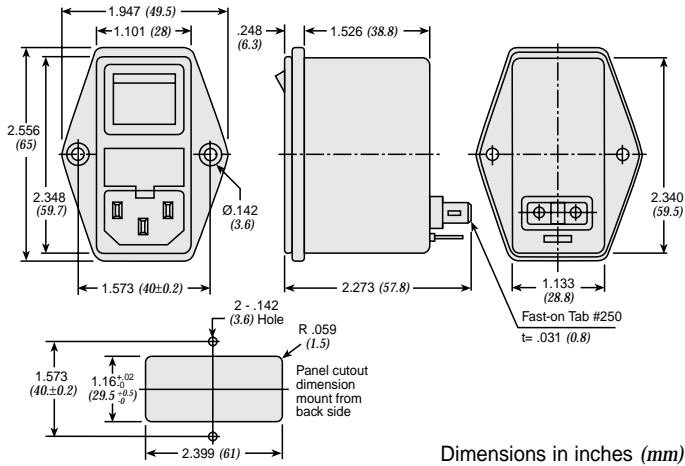
Switched and Fused Filtered Power Entry Modules

For Medical or General Purpose Applications

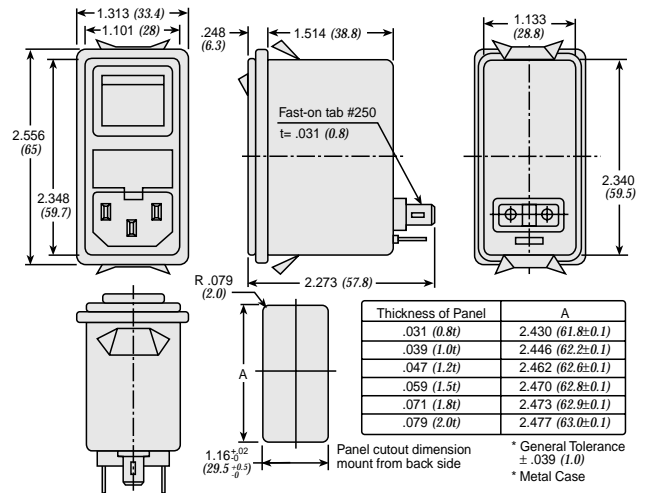
Temperature Characteristics



Dimensions 66/67-BSF Series

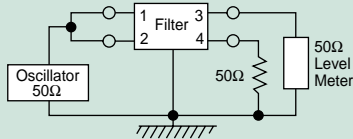


66/67-SSF Series

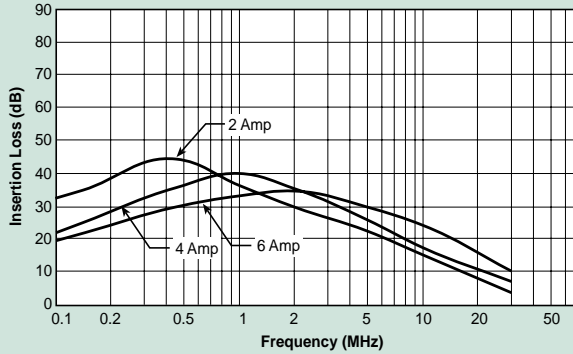


Switched and Fused Filtered Power Entry Modules

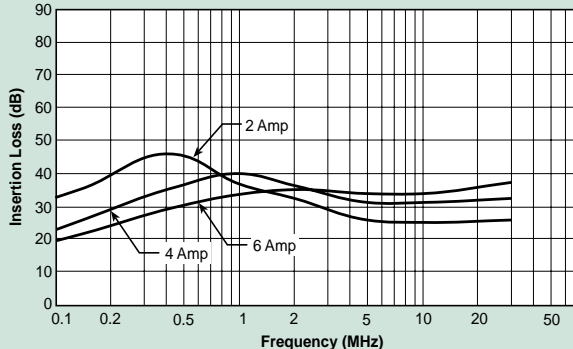
Common Mode



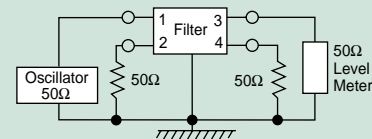
0.01 mA Leakage Current



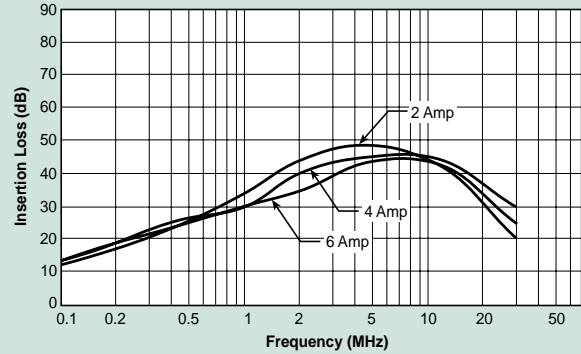
0.075 and 0.1 mA Leakage Current



Normal Mode



0.01 mA Leakage Current



0.075 and 0.1 mA Leakage Current

