

# MCR-C-II-00-DC


Order No.: 2814508



<http://eshop.phoenixcontact.de/phoenix/treeViewClick.do?UID=2814508>


MCR 3-way isolating amplifier, for electrical isolation of analog signals, input signal: 0(4) ... 20 mA, output signal: 0(4) ... 20 mA



Commercial data	
GTIN (EAN)	
sales group	H501
Pack	5 pcs.
Customs tariff	85437090
Catalog page information	Page 364 (IF-2009)

**Product notes**

WEEE/RoHS-compliant since:  
04/11/2006



<http://www.download.phoenixcontact.com>  
Please note that the data given here has been taken from the online catalog. For comprehensive information and data, please refer to the user documentation. The General Terms and Conditions of Use apply to Internet downloads.

Technical data	
<b>Input data</b>	
Description of the input	Current input
Configurable/programmable	No
Current input signal	0 mA ... 20 mA
	4 mA ... 20 mA

---

Max. input current	50 mA
Input resistance current input	50 $\Omega$
<b>Output data</b>	
Output name	Current output
Configurable/programmable	No
Current output signal	0 mA ... 20 mA
	4 mA ... 20 mA
Max. output current	30 mA
Load/output load current output	$\leq 500 \Omega$
Linear transmission range (in reference to the output range end value)	0 % ... 105 %
<b>Power supply</b>	
Supply voltage range	20 V DC ... 30 V DC
Typical current consumption	< 15 mA (without load)
<b>Connection data</b>	
Connection method	Pluggable screw connection
Conductor cross section solid min.	0.2 mm <sup>2</sup>
Conductor cross section solid max.	2.5 mm <sup>2</sup>
Conductor cross section stranded min.	0.2 mm <sup>2</sup>
Conductor cross section stranded max.	2.5 mm <sup>2</sup>
Conductor cross section AWG/kcmil min.	24
Conductor cross section AWG/kcmil max	14
Stripping length	8 mm
Screw thread	M3
<b>General data</b>	
No. of channels	1
Width	12.5 mm
Height	99 mm
Depth	114.5 mm
Maximum transmission error	$\leq 0.2 \%$ (of final value)
Transmission error, typical	0.1 % (of final value)
Maximum temperature coefficient	< 0.015 %/K
Limit frequency (3 dB)	30 Hz
Step response (10-90%)	11 ms

---

Protective circuit	Transient protection
Ambient temperature (operation)	-25 °C ... 60 °C
Test voltage, input/output/supply	1.5 kV (50 Hz, 1 min.)
Color	green
Housing material	Polyamide PA non-reinforced
Mounting position	Any
Conformance	CE-compliant

### Certificates / Approvals



Certification

CUL, GOST, UL

### Accessories

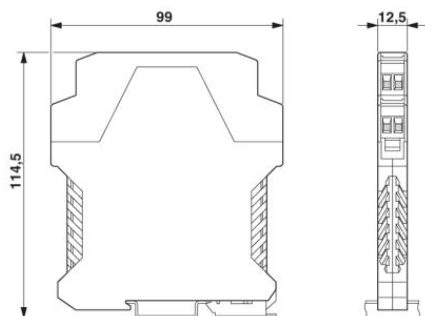
Item	Designation	Description
------	-------------	-------------

#### Bridges

2820916	DB 50- 90 BK	Wire bridge, Color: black
2821180	DB 50- 90 BU	Wire bridge, Color: blue
2820929	DB 50- 90 GY	Wire bridge, Color: gray

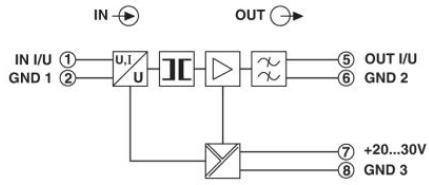
### Diagrams/Drawings

Dimensioned drawing



Circuit diagram

---



**Address**

PHOENIX CONTACT Inc., USA  
586 Fulling Mill Road  
Middletown, PA 17057, USA  
Phone (800) 888-7388  
Fax (717) 944-1625  
<http://www.phoenixcon.com>



© 2011 Phoenix Contact  
Technical modifications reserved;