



- **Packaged Network Routers for Horizontal Mounting**
- **Compatible with RFM miniMESH™ Network Protocol**
- **3 V, Very Low Current Operation**
- **Ready-to-Use OEM Module**

The DM1800-916MR-PAH and DM1800-916MR-PBH are 916.5 MHz packaged router modules designed for indoor horizontal mounting. The modules are part of the DM1800 family of RF transceivers. The DM1800 family is designed for adding wireless mesh connectivity to a wide range of monitoring and control systems. These modules are compatible with RFM's miniMESH™ network protocol, which provides "plug-and-play" multicast mesh network routing. Radio communications range in an "open field" environment is typically 200 meters/hop. The modules combine RFM's very low current ASH radio technology with low power microcontroller technology to achieve long battery life. The DM1800-916MR-PAH and DM1800-916MR-PBH contain a DM1800-916MR router, which is module certified for operation under FCC 15.249 regulations.

DM1800-916MR-PAH
DM1800-916MR-PBH

916.50 MHz Transceiver Modules



Absolute Maximum Ratings

Rating	Value	Units
All Input/Output Pins Except VIN	-0.3 to +3.3	V
Non-Operating Ambient Temperature Range	-40 to +70	°C

Electrical Characteristics

Characteristic	Sym	Notes	Minimum	Typical	Maximum	Units
Operating Frequency	f _o		916.30		916.70	MHz
Modulation Type			OOK			
RF Encoded Data Transmission Rate				4.8		kb/s
Average Receiver Input Current, No External Power Supply Load	I _R			4		mA
Receiver Input Signal for 10 ⁻³ BER, 25 °C				-98		dBm
Peak Transmitter Input Current, No External Power Supply Load	I _{TP}				13.5	mA
Peak Transmitter Output Power	P _O			1		mW
Bind Input Logic High			2.4			V
Bind Input Logic Low					.45	V
Average Sleep Input Current, No External Power Supply Load	I _{SA}			90		µA
Power Supply Input Voltage Range	VIN		2.6		10	V
Regulated Power Supply Output Voltage, VIN 3.1 to 10 V	VOU			3.0		Vdc
Regulated Power Supply Voltage Ripple					10	mV _{P-P}
Operating Temperature Range			0		70	°C
Relative Humidity Range, Non-Condensing	RH		10		90	%

DM1800-916MR-PAH and DM1800-916MR-PBH Block Diagram

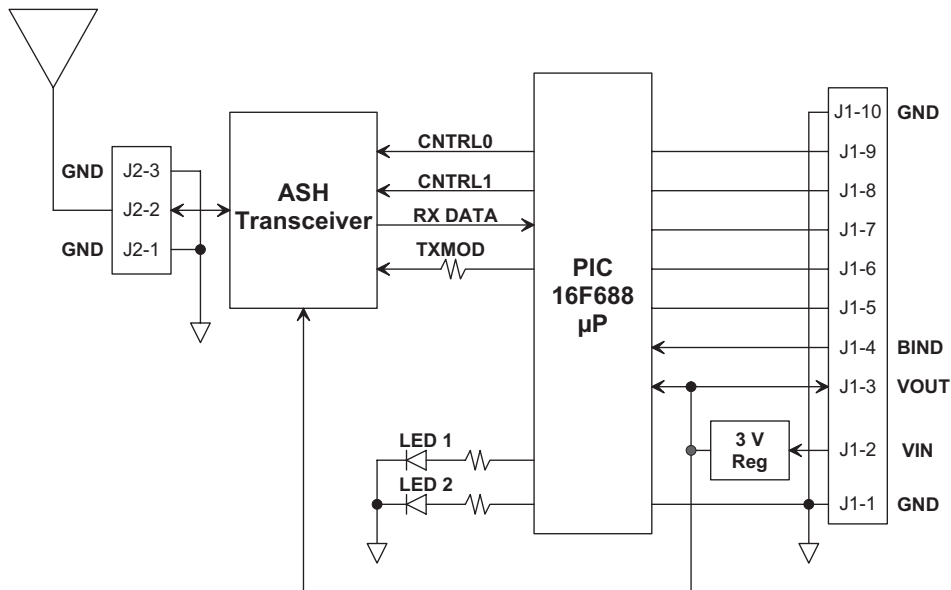


Figure 1

Theory of Operation

The DM1800-916MR-PAH and DM1800-916MR-PBH are packaged versions of the DM1800-916MR router. The major components in these modules include an RFM TR1000 ASH transceiver and a Microchip PIC16F688 microcontroller. The TR1000 operates on a frequency of 916.50 MHz, at a nominal output power of 1 mW. Two LEDs, visible through a view port, indicate the router's operating mode.

The DM1800-916MR-PAH and DM1800-916MR-PBH are compatible with RFM's miniMESH™ network protocol, which provides add-on “plug-and-play” mesh network routing to improve communication range and robustness.

The DM1800-916MR-PAH includes a wall plug transformer power supply.

The DM1800-916MR-PAH includes a battery pack power supply.

FCC Certification

The DM1800-916MR-PAH and DM1800-916MR-PBH hardware have been certified for operation under FCC Part 15 Rules, Section 15.249.

FCC Notices and Labels

This device complies with Part 15 of the FCC rules. Operation is subject to the following two conditions: (1) this device may not cause harmful interference, and (2) this device must accept any interference received, including interference that may cause undesired operation.

A clearly visible label is required on the outside of the user's (OEM) enclosure stating that this product contains a DM1800-916MR-PAH or DM1800-916MR-PBH transceiver assembly, FCC ID: TE6-DM1800.

WARNING: This device operates under Part 15 of the FCC rules. Any modification to this device, not expressly authorized by RFM, may void the user's authority to operate this device.

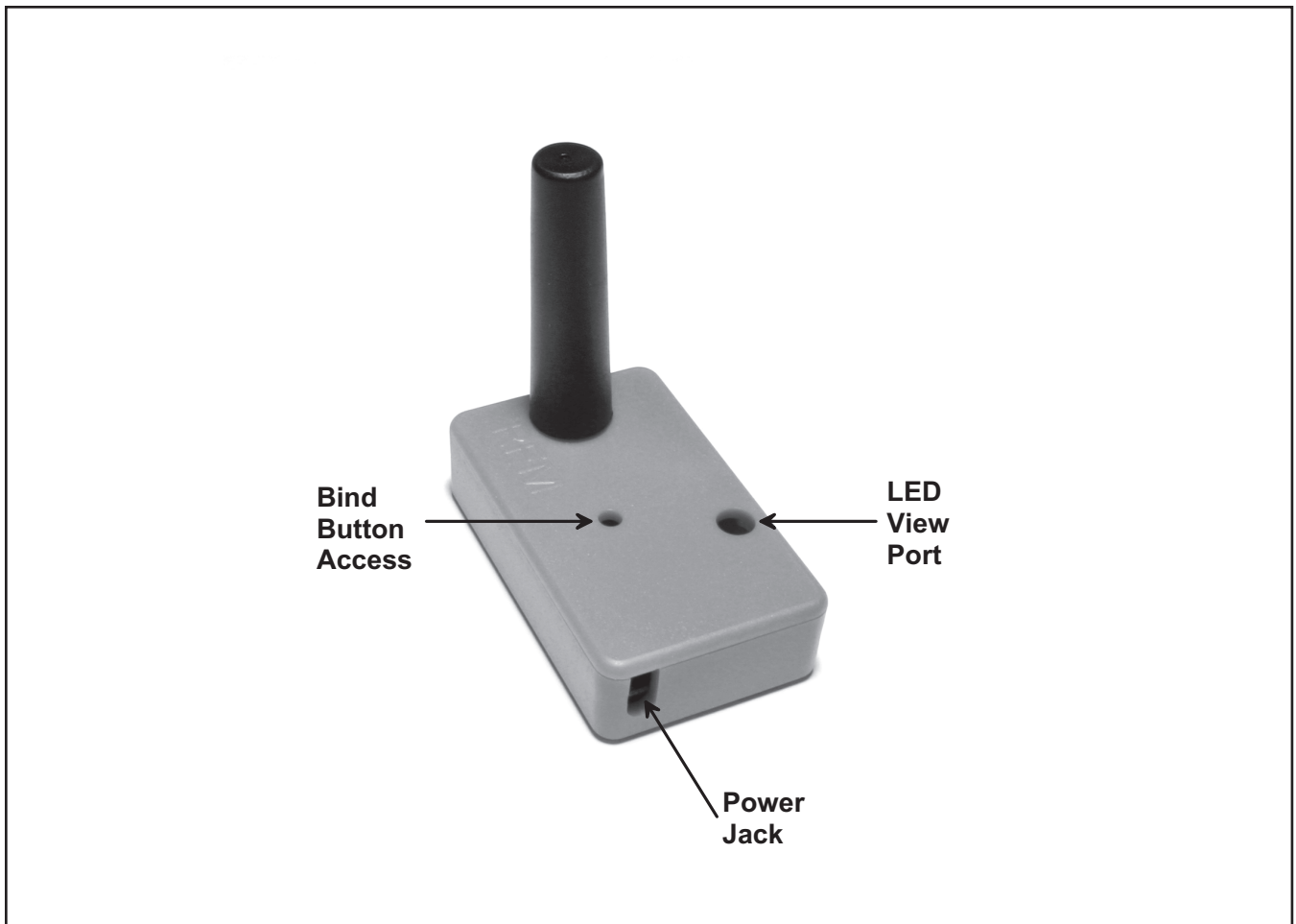


Figure 2

DM1800-916MR-PAH and DM1800-916MR-PBH Outline Drawing

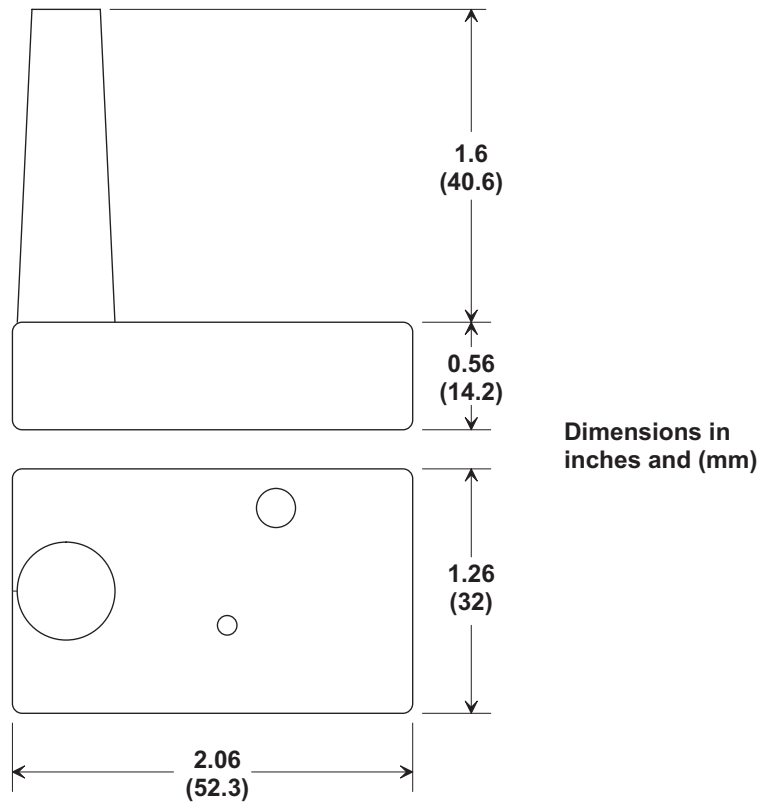


Figure 3

Note: Specifications subject to change without notice.