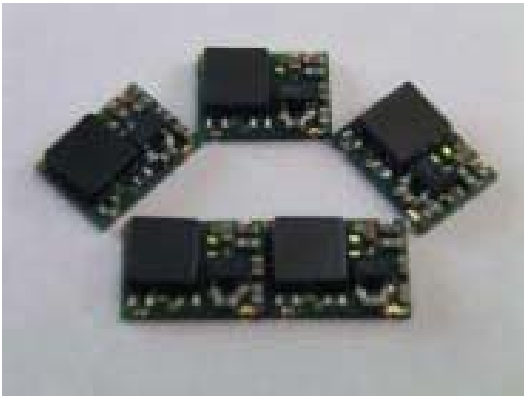


## Typical Applications

- Home Security Systems
- Remote Lighting Controls
- Remote Gate Controls
- Asset Tracking
- Sensor Monitoring

## Features

- 433.92 MHz
- Low Cost
- 3-12VDC Operation
- Small Size
- 0 dBm Output @ 3V
- 4800 Baud Operation



## Description

The RCT-433-UTR is ideal for remote control applications, where low cost and longer range are required. The transmitter operates from a 3-12V supply, making it ideal for battery-powered applications. The transmitter employs a SAW-stabilized oscillator, ensuring accurate frequency control for best range performance. Output power and harmonic emissions are easy to control, making FCC and ETSI compliance easy. The manufacturing-friendly tape-and-reel packaging and low cost make the RCT-433-UTR suitable for high volume applications.

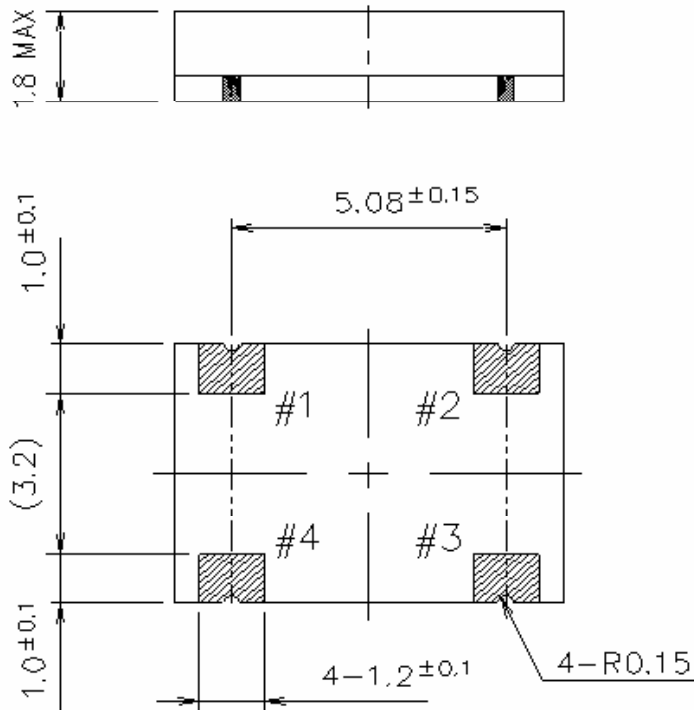
Item No.	Parameter	Value			UNIT
		MIN	TYP	MAX	
1.	Transmit Frequency	433.92			MHz
2.	Modulation		ASK		
3.	Output Power @ 12 V/ Data: 3 V	9	10	12	dBm
4.	Data Rate	1		3	KHz
5.	Frequency Tolerance	-120		+120	KHz
6.	Operating Temperature	-40		+85	°C
7.	Power Source	3		12	V
8.	Power Consumption @ 12 V	8	10	12	mA

***Document Control***

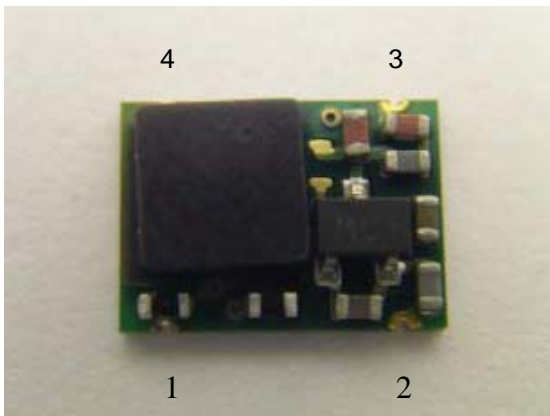
<b>Created By</b>	TJ Everett	1/20/07
<b>Engineering Review</b>		
<b>Marketing Review</b>		
<b>Approved - Engineering</b>		
<b>Approved - Marketing</b>		

***Revision History***

<b>Revision</b>	<b>Author</b>	<b>Date</b>	<b>Description</b>
1.0	TJ	1/20/07	Document Created



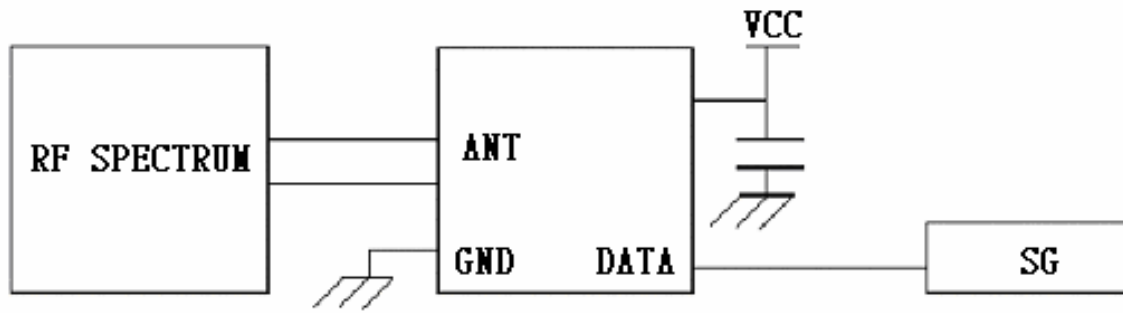
	Pin Connection
#1 pin	Vcon
#2 pin	GND
#3 pin	Output
#4 pin	+Vcc



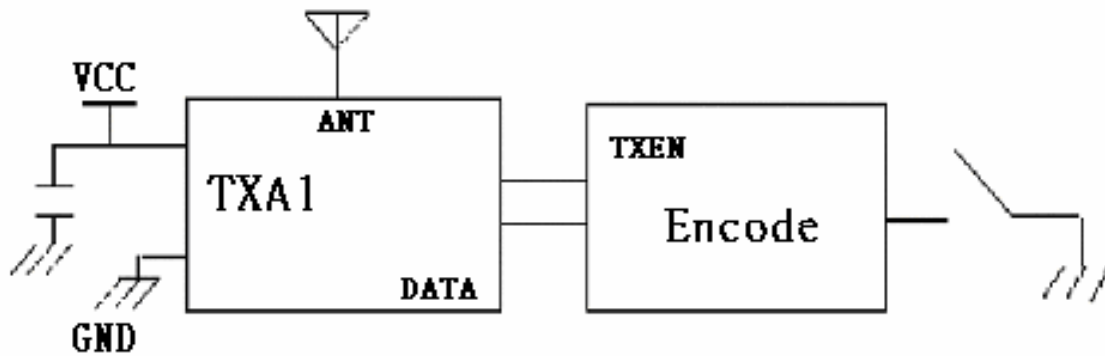
**Pin Description**

Pin	Name
1	V con
2	GND
3	Output
4	+ VCC

**Typing Test Circuit**



**Typical Transmitter Application**

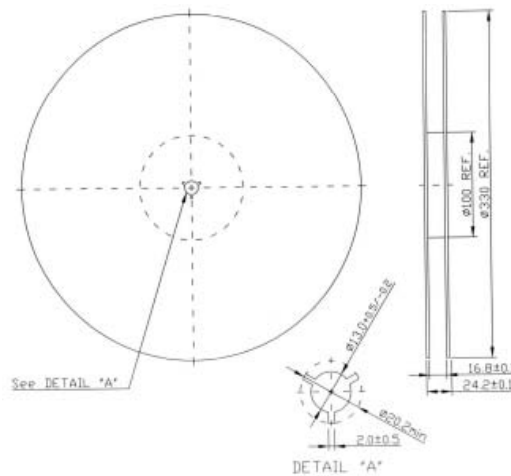


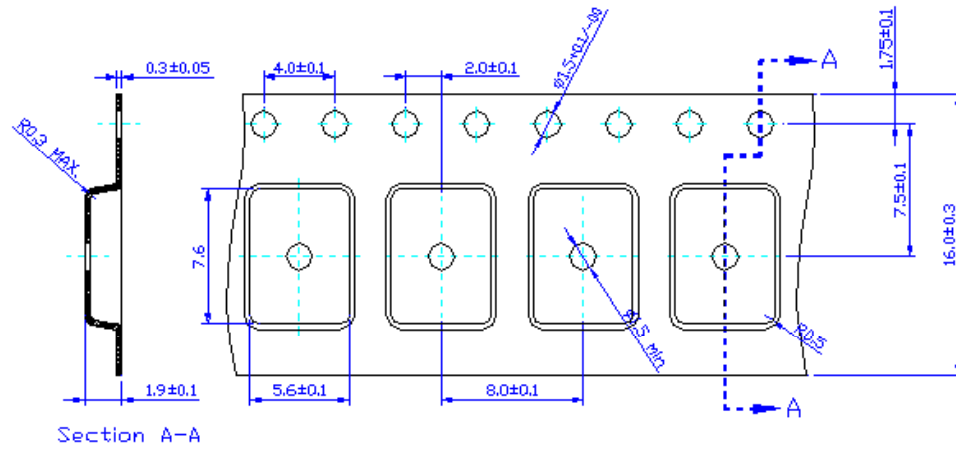
Notes:

1. Encoder : HT12D/F , PTC ( 2262 )
2. Antenna : Length = 17.2cm for 433MHz

**Part Orientation**

Tape and Reel:

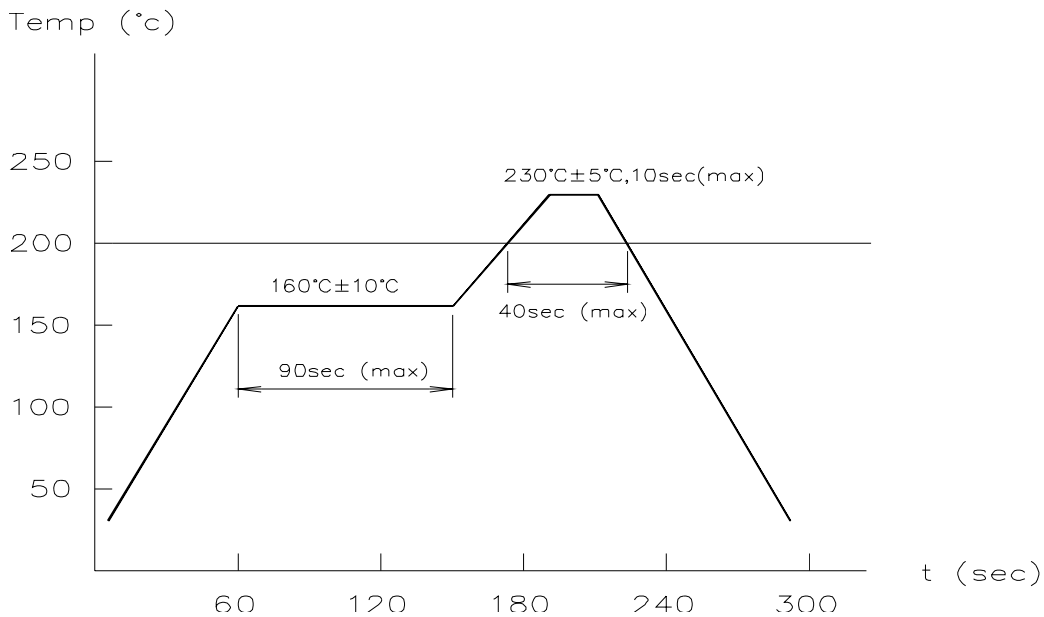




Notes:

1. Unit: mm.
2. Unless otherwise specified tolerance on dim. +/- 0.1mm.
3. Material: conductive polystyrene.
4. Color: black
5. 10 Pitch Cumulative Tolerance +/- 0.2mm.

**Maximum Soldering Profile**



**Ordering Information**

PRODUCT	ORDER CODE
RCT-433-UTR	RCT-433-UTR

**Radiotronics Inc.**

905 Messenger Lane  
Moore, OK 73160

(405) 794-7730  
(405) 794-7477 (Fax)

[www.radiotronics.com](http://www.radiotronics.com)  
[sales@radiotronics.com](mailto:sales@radiotronics.com)