

## Typical Applications

- Home Security Systems
- Remote Lighting Controls
- Remote Gate Controls
- Asset Tracking
- Sensor Monitoring



## Features

- The Module's Frequency is from UHF (ASK) 280~433.92 MHz
- High Sensitivity Passive Design
- 4800 B/S Baseboard Data Rate.
- Simple to apply with Low External Parts count
- Low Supply Voltage: VCC= 5 Vdc
- ASK Data Shaping Comparator Included

## Description

The RCR-433-MPR is a miniature receiver module that receives On-off keyed (OOK) modulation signal and demodulated to digital signal for the next decoder stage. Local Oscillator is made of L/C structure. The result is excellent performance in simple-to-use. The RCR-433-MPR is designed specifically for unlicensed remote control and wireless security receiver operating at 433 MHz in the USA under FCC Part 15 regulation.

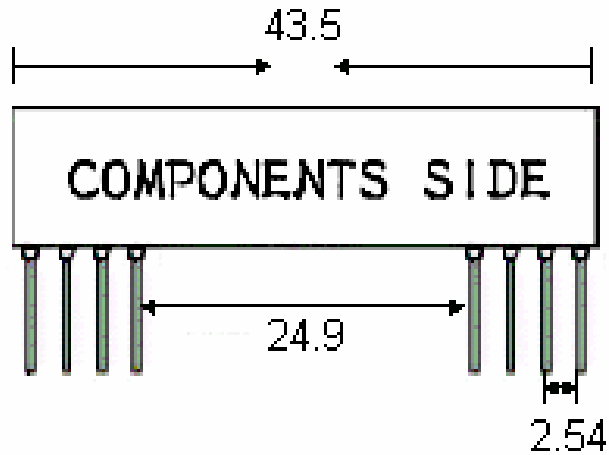
Item No.	Parameter	Description	Value			UNIT
			MIN	TYP	MAX	
1.	Operating Radio Frequency		280` 433.92			MHz
2.	Sensitivity	Vcc 5.0, AT25C BER= 3/100		-105		dBm
3.	Modulation			ASK		
4.	Power Supply		4.75	5	5.25	v
5.	Supply Count			4	5	mA
6.	Data Rate			3		
7.	Operating Temperature		-40		+85	°C
8.	RF Bandwidth – 3dB			4		MHz

***Document Control***

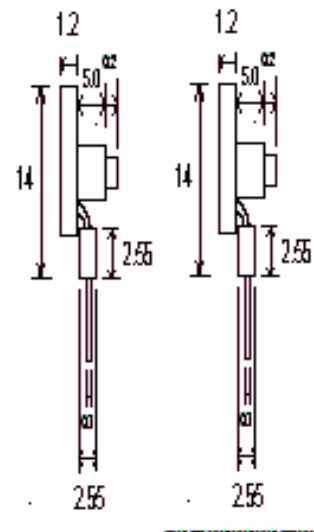
<b>Created By</b>	TJ Everett	1/20/07
<b>Engineering Review</b>		
<b>Marketing Review</b>		
<b>Approved - Engineering</b>		
<b>Approved - Marketing</b>		

***Revision History***

<b>Revision</b>	<b>Author</b>	<b>Date</b>	<b>Description</b>
1.0	TJE	1/20/07	Document Created



Mechanical Drawing



Pinout Diagram

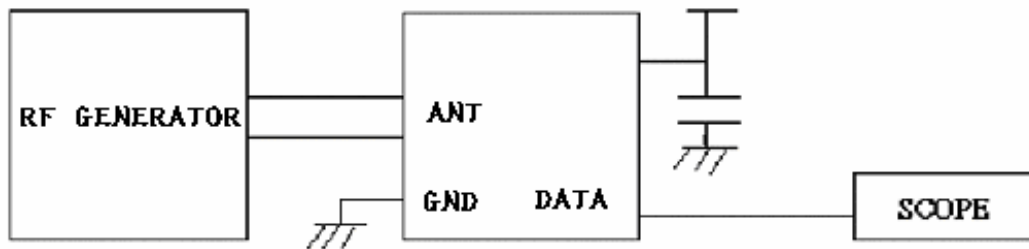
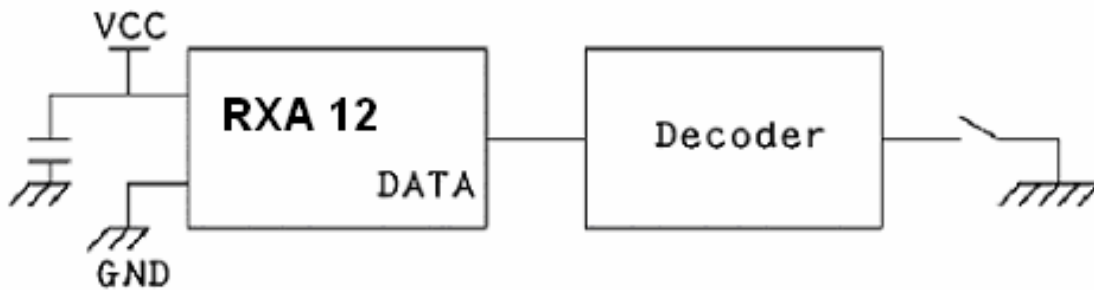
### ***Absolute Maximum Ratings***

Rating	Value	Units
Power Supply and All Input Pins	-0.3 to +12	VDC
Storage Temperature	-50 to +100	°C
Soldering Temperature (10 sec)	350	°C
Industrial Temperature	-40 to +85	°C

### ***Pin Description***

Pin	Name
1	GND
2	DIGITAL OUTPUT
3	LINEAR OUTPUT
4	VCC
5	VCC
6	GND
7	GND
8	ANT



**Typing Test Circuit****Typical Receiver Application**

## Notes:

1. Encoder : HT12D/F , PTC ( 2262 )
2. Antenna : Length = 22.6cm for 315MHz

**Ordering Information**

PRODUCT	ORDER CODE
RCR-433-MPR	RCR-433-MPR

**Radiotronix Inc.**

905 Messenger Lane  
Moore, OK 73160

(405) 794-7730  
(405) 794-7477 (Fax)

[www.radiotronix.com](http://www.radiotronix.com)  
[sales@radiotronix.com](mailto:sales@radiotronix.com)