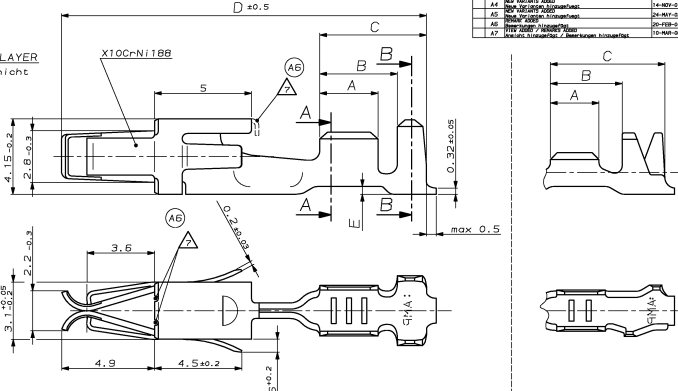


DATE: 2008-01-23	DESIGN: 11E1818-02	REV: 02	SIZE: 08-05
TO: 01000000	BY: 01000000	DATE: 2008-01-23	

- REMARKS**
Bemerkungen
- CONTACT BODY PRE SILVER PLATED MIN. 0.8µm CONTACT ZONE SELECTIVE PRE SILVER PLATED MIN. 3µm
Kontaktkörper vorversilbert min. 0.8µm Kontaktzone selektiv vorversilbert min. 3µm
 - CONTACT ZONE GOLD PLATED MIN. 0.8µm OVER MIN. 1.3µm NI-LAYER CRIMP AREA MIN. 1µm TIN PLATED OVER NI-LAYER
Kontaktzone vergoldet min. 0.8µm Ober min. 1.3µm Ni-Zwischenschicht Crimpbereich min. 1µm verzinkt Ober Ni-Zwischenschicht
 - CANTILEVER SPRING INSIDE AND OUTSIDE 0.4-1.2µm Au
Oberfeder innen und außen 0.4-1.2µm Au
 - CONTACT BODY, CONTACT SPRING INSIDE AND CRIMP AREA MIN. 1µm TIN PLATED OVER NI-LAYER, TOUCHING AREA TO CANTILEVER SPRING AND CONTACT SPRING OUTSIDE SELECTIVE 0.8µm Au OVER MIN. 1.3µm NI-LAYER
Kontaktkörper, Kontaktfeder innen und Crimpbereich min. 1µm verzinkt Ober Ni-Zwischenschicht, Anlegefläche zur Oberfeder und Kontaktfeder aussen selektiv 0.8µm vergoldet Ober min. 1.3µm Ni-Zwischenschicht
 - CONTACT ZONE AND TOUCHING AREA TO CANTILEVER SPRING MIN. 0.8µm SELECTIVE Au PLATED OVER 1.3µm NI PLATED, CRIMP AREA MIN 1µm TIN PLATED OVER NI-LAYER
Kontaktzone und Anlegefläche zur Oberfeder min. 0.8µm vergoldet Ober min. 1.3µm Ni-Zwischenschicht Crimpbereich min. 1µm verzinkt Ober Ni-Zwischenschicht
 - CONTACT BODY AND CRIMP AREA MIN. 1µm TIN PLATED OVER NI-LAYER, TOUCHING AREA TO CANTILEVER SPRING SELECTIVE 0.8µm Au OVER MIN. 1.3µm NI-LAYER
Kontaktkörper und Crimpbereich min. 1µm verzinkt Ober Ni-Zwischenschicht, Anlegefläche zur Oberfeder selektiv 0.8µm vergoldet Ober min. 1.3µm Ni-Zwischenschicht
 - CUT OFF OPTIONAL
Abschnitt/Freisschnitt optional

REV	DATE	DESCRIPTION	BY	CHK	APP
A1	2008-01-23	NEW DESIGN	01000000		
A2	2008-01-23	REVISED	01000000		
A3	2008-01-23	REVISED	01000000		
A4	2008-01-23	REVISED	01000000		
A5	2008-01-23	REVISED	01000000		
A6	2008-01-23	REVISED	01000000		
A7	2008-01-23	REVISED	01000000		



UNSEALD
ungedichtet

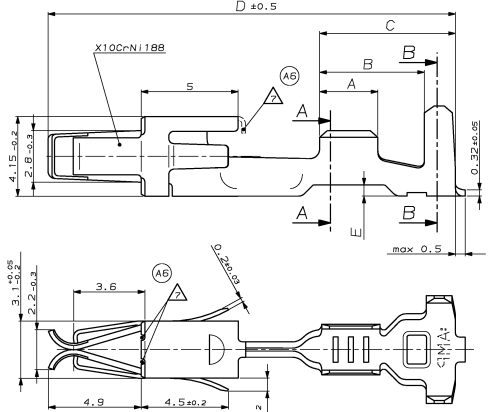
AMP ORDER-NO. STRIP FORM Bestellnr.	AMP ORDER-NO. LOOSE PIECE Bestellnr.	MATERIAL Markstoff	SURFACE Oberfläche	DOB (mm²)	SECTION A-A Schnitt A-A	SECTION B-B Schnitt B-B	WIRE CRIMP Drahtform	SECTION A-A Schnitt A-A	SECTION B-B Schnitt B-B	APPLICATION TOOL Anlegegerät	HAND TOOL Handzange	EXTRACTION TOOL Ausdrehwerkzeug No. 1: 568107-1	A	B	C	D	E
2-927773-1	2-927781-1	CuSn4	FLK	>1.0-2.5	E = 3.6 G = 3.8 D _w = 1.8	H = 5.5 K = 5.8 D = 3.6	1.25mm² = 1.44 1.5mm² = 1.51 2.0mm² = 1.64 2.5mm² = 1.77	E = 2.8 G = 3.9 D _w = 1.7	H = 4.2 K = 5.2 r = 2.4	MGC-Applicator 878190-2	S39635-1 #11 Metric S39674-2	3.3	4.3	5.8	18.8	0.4	0.5-2.5mm²
1-927773-1	1-927781-1	CuFe2	FLR	>1.0-2.5	E = 3.6 G = 3.8 D _w = 1.8	H = 4.7 K = 4.9 D = 2.6	1.25mm² = 1.44 1.5mm² = 1.51 2.0mm² = 1.64 2.5mm² = 1.77	E = 2.8 G = 3.9 D _w = 1.7	H = 3.8 K = 4.3 R = 2.3	MGC-Applicator 878180-2	S39635-1 #11 Metric S39674-2	3.3	4.3	5.8	18.8	0.4	0.08-0.5mm²
927773-6	927781-6	CuSn4	FLR	0.5-1.0	E = 2.6 G = 2.8 D _w = 1.1	H = 3.6 K = 3.9 D = 1.8	0.5mm² = 1.18 0.75mm² = 1.27 1.0mm² = 1.36	E = 2.2 G = 2.8 D _w = 1.2	H = 2.8 K = 3.4 R = 1.6	MGC-Applicator 878181-2	S39635-1 #11 Metric S39674-2	3	4	5.5	18.8	0.4	
927773-3	927781-3	CuFe2	FLR	0.2-0.5	E = 2.1 G = 2.1 D _w = 0.8	H = 2.7 K = 2.8 D = 1.4	0.2mm² = 0.98 0.25mm² = 1.00 0.35mm² = 1.05 0.5mm² = 1.12	E = 1.7 G = 2.1 D _w = 0.8	H = 2.2 K = 2.4 R = 1.3	MGC-Applicator 878332-2	S39635-1 #11 Metric S39737-2	2.5	3.5	5.6	18.8	0.4	
2-963708-1	2-963777-1	CuSn4	FLR	0.08-0.2	E = 1.7 G = 1.7 D _w = 0.6	H = 3.1 K = 3.2 D = 1.6	0.08mm² = 0.79 0.14mm² = 0.83 0.22mm² = 0.87	E = 1.5 G = 1.8 D _w = 0.6	H = 2.5 K = 2.8 R = 1.4	MGC-Applicator 878599-2	734414-1	2.5	3.7	5.9	18.8	0.4	

THIS DRAWING IS NOT SUBJECT TO CONSTANT CHANGING SERVICE AND DOES NOT LAY CLAIM TO BE COMPLETE. FOR DEFINITE SPECIFICATION SEE RESPECTIVE AMP CUSTOMER DRAWINGS. FURTHER VERSIONS ON INQUIRY.
Diese Zeichnung unterliegt nicht dem ständigen Änderungsdienst und erhebt keinen Anspruch auf Vollständigkeit. Verbindliche Angaben sind der jeweiligen AMP-Kundenzeichnung zu entnehmen. Weitere Ausführungen auf Anfrage.

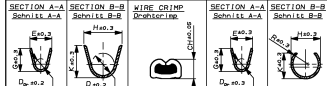
<p>AMP ORDER-NO. STRIP FORM Bestellnr.</p>	<p>AMP ORDER-NO. LOOSE PIECE Bestellnr.</p>	<p>MATERIAL Markstoff</p>	<p>SURFACE Oberfläche</p>	<p>DOB (mm²)</p>	<p>SECTION A-A Schnitt A-A</p>	<p>SECTION B-B Schnitt B-B</p>	<p>WIRE CRIMP Drahtform</p>	<p>SECTION A-A Schnitt A-A</p>	<p>SECTION B-B Schnitt B-B</p>	<p>APPLICATION TOOL Anlegegerät</p>	<p>HAND TOOL Handzange</p>	<p>EXTRACTION TOOL Ausdrehwerkzeug No. 1: 568107-1</p>	A	B	C	D	E
--	---	-------------------------------	-------------------------------	----------------------	------------------------------------	------------------------------------	---------------------------------	------------------------------------	------------------------------------	---	--------------------------------	--	---	---	---	---	---

REMARKS

- Bemerkungen
- CONTACT BODY PRE SILVER PLATED MIN. 0.8µm CONTACT ZONE SELECTIVE PRE SILVER PLATED MIN. 3µm
 Kontaktkörper vorversilbert min. 0.8µm Kontaktzone selektiv vorversilbert min. 3µm
 - CONTACT ZONE GOLD PLATED MIN. 0.8µm OVER MIN. 1.3µm NI-LAYER CRIMP AREA MIN. 1µm TIN PLATED OVER NI-LAYER
 Kontaktzone vergoldet min. 0.8µm über min. 1.3µm Ni-Zwischenschicht Crimpbereich min. 1µm verzinkt über Ni-Zwischenschicht
 - CANTILEVER SPRING INSIDE AND OUTSIDE 0.4-1.2µm Au
 Oberfeder innen und außen 0.4-1.2µm Au
 - CONTACT BODY, CONTACT SPRING INSIDE AND CRIMP AREA MIN. 1µm TIN PLATED OVER NI-LAYER, TOUCHING AREA TO CANTILEVER SPRING AND CONTACT SPRING OUTSIDE SELECTIVE 0.8µm Au OVER MIN. 1.3µm NI-LAYER
 Kontaktkörper, Kontaktfeder innen und Crimpbereich min. 1µm verzinkt über Ni-Zwischenschicht, Anlagefläche zur Oberfeder und Kontaktfeder aussen selektiv 0.8µm vergoldet über min. 1.3µm Ni-Zwischenschicht
 - CONTACT ZONE AND TOUCHING AREA TO CANTILEVER SPRING MIN. 0.8µm SELECTIVE Au PLATED OVER 1.3µm Ni PLATED, CRIMP AREA MIN. 1µm TIN PLATED OVER NI-LAYER
 Kontaktzone und Anlagefläche zur Oberfeder min. 0.8µm vergoldet über min. 1.3µm Ni-Zwischenschicht Crimpbereich min. 1µm verzinkt über Ni-Zwischenschicht
 - CONTACT BODY AND CRIMP AREA MIN. 1µm TIN PLATED OVER NI-LAYER, TOUCHING AREA TO CANTILEVER SPRING SELECTIVE 0.8µm Au OVER MIN. 1.3µm NI-LAYER
 Kontaktkörper und Crimpbereich min. 1µm verzinkt über Ni-Zwischenschicht, Anlagefläche zur Oberfeder selektiv 0.8µm vergoldet über min. 1.3µm Ni-Zwischenschicht
 - CUT OFF OPTIONAL
 Abschnitt/Freischnitt optional



SINGLE WIRE SEAL
 Einzel-Dichtungs-System



AMP ORDER-No.	AMP ORDER-No.	MATERIAL	SURFACE	DBB	WIRE CRIMP	WIRE CRIMP	WIRE CRIMP	WIRE CRIMP	AMP ORDER-No.	AMP ORDER-No.	AMP ORDER-No.	AMP ORDER-No.	AMP ORDER-No.	AMP ORDER-No.	AMP ORDER-No.	AMP ORDER-No.		
1100	1100	1100	1100	1100	1100	1100	1100	1100	1100	1100	1100	1100	1100	1100	1100	1100		
2-927766-1	E 2-929929-1	CuSn4	vorversilbert	FLK	E = 3.6 G = 3.8 D_w = 1.8	H = 5.4 K = 4.6 D = 3.2	2.5mm² = 1.77 2.0mm² = 1.64 1.5mm² = 1.51	E = 2.8 G = 3.9 D_w = 1.7	H = 4.8 K = 4.2 R = 2.8	MOC-Application 2-878845-2	539635-1 416 Material 539797-2	3.5	5.9	7.5	18.8	0.4	828905-1	828922-1
1-927766-1	E 1-929929-1	CuFe2	vorversilbert	FLR	E = 3.6 G = 3.8 D_w = 1.8	H = 5.4 K = 4.6 D = 3.2	2.5mm² = 1.77 2.0mm² = 1.64 1.5mm² = 1.51	E = 2.8 G = 3.9 D_w = 1.7	H = 4.8 K = 4.2 R = 2.8	MOC-Application 2-878845-2	539635-1 416 Material 539797-2	3.5	5.9	7.5	21	0.4	828905-1	828922-1
2-929937-1	D 2-929936-1	CuSn4	vorversilbert	FLR	E = 3.6 G = 3.8 D_w = 1.8	H = 5.4 K = 4.6 D = 3.2	2.5mm² = 1.77 2.0mm² = 1.64 1.5mm² = 1.51	E = 2.8 G = 3.9 D_w = 1.7	H = 4.8 K = 4.2 R = 2.8	MOC-Application 2-878845-2	539635-1 416 Material 539797-2	3.5	5.9	7.5	21	0.4	828905-1	828922-1
1-929937-1	D 1-929936-1	CuFe2	vorversilbert	FLR	E = 3.6 G = 3.8 D_w = 1.8	H = 5.4 K = 4.6 D = 3.2	2.5mm² = 1.77 2.0mm² = 1.64 1.5mm² = 1.51	E = 2.8 G = 3.9 D_w = 1.7	H = 4.8 K = 4.2 R = 2.8	MOC-Application 2-878845-2	539635-1 416 Material 539797-2	3.5	5.9	7.5	21	0.4	828905-1	828922-1
2-929939-1	D 2-929940-1	CuSn4	vorversilbert	FLR	E = 2.6 G = 2.8 D_w = 1.1	H = 5.4 K = 4.6 D = 3.2	1.0mm² = 1.36 0.75mm² = 1.27 0.5mm² = 1.18	E = 2.2 G = 2.8 D_w = 1.2	H = #4.6 K = 4.2 R = 2.3	MOC-Application 878335-2	539635-1 416 Material 539797-2	3	5.4	7	21	0.6	828904-1	828922-1
1-929939-1	D 1-929940-1	CuFe2	vorversilbert	FLR	E = 2.6 G = 2.8 D_w = 1.1	H = 5.4 K = 4.6 D = 3.2	1.0mm² = 1.36 0.75mm² = 1.27 0.5mm² = 1.18	E = 2.2 G = 2.8 D_w = 1.2	H = #4.6 K = 4.2 R = 2.3	MOC-Application 878335-2	539635-1 416 Material 539797-2	3	5.4	7	18.8	0.6	828904-1	828922-1
2-927770-1	B 2-929930-1	CuSn4	vorversilbert	FLR	E = 2.6 G = 2.8 D_w = 1.1	H = 5.4 K = 4.6 D = 3.2	1.0mm² = 1.36 0.75mm² = 1.27 0.5mm² = 1.18	E = 2.2 G = 2.8 D_w = 1.2	H = #4.6 K = 4.2 R = 2.3	MOC-Application 878335-2	539635-1 416 Material 539797-2	3	5.4	7	18.8	0.9	828904-1	828922-1
1-927770-1	B 1-929930-1	CuFe2	vorversilbert	FLR	E = 2.6 G = 2.8 D_w = 1.1	H = 5.4 K = 4.6 D = 3.2	1.0mm² = 1.36 0.75mm² = 1.27 0.5mm² = 1.18	E = 2.2 G = 2.8 D_w = 1.2	H = #4.6 K = 4.2 R = 2.3	MOC-Application 878335-2	539635-1 416 Material 539797-2	3	5.4	7	18.8	0.9	828904-1	828922-1
2-929941-1	D 2-929942-1	CuSn4	vorversilbert	FLR	E = 2.1 G = 2.1 D_w = 0.8	H = 5.4 K = 4.6 D = 3.2	0.5mm² = 1.12 0.35mm² = 1.05 0.25mm² = 1.0 0.2mm² = 0.98	E = 1.7 G = 2.1 D_w = 2.4	H = 4.2 K = 4.35 R = 2.4	MOC-Application 878334-2	539635-1 416 Material 539797-2	2.5	4.9	6.5	21	0.9	828904-1	828922-1
1-929941-1	D 1-929942-1	CuFe2	vorversilbert	FLR	E = 2.1 G = 2.1 D_w = 0.8	H = 5.4 K = 4.6 D = 3.2	0.5mm² = 1.12 0.35mm² = 1.05 0.25mm² = 1.0 0.2mm² = 0.98	E = 1.7 G = 2.1 D_w = 2.4	H = 4.2 K = 4.35 R = 2.4	MOC-Application 878334-2	539635-1 416 Material 539797-2	2.5	4.9	6.5	18.8	0.9	828904-1	828922-1
2-927772-1	D 2-929931-1	CuSn4	vorversilbert	FLR	E = 2.1 G = 2.1 D_w = 0.8	H = 5.4 K = 4.6 D = 3.2	0.5mm² = 1.12 0.35mm² = 1.05 0.25mm² = 1.0 0.2mm² = 0.98	E = 1.7 G = 2.1 D_w = 2.4	H = 4.2 K = 4.35 R = 2.4	MOC-Application 878334-2	539635-1 416 Material 539797-2	2.5	4.9	6.5	18.8	0.9	828904-1	828922-1
1-927772-1	D 1-929931-1	CuFe2	vorversilbert	FLR	E = 2.1 G = 2.1 D_w = 0.8	H = 5.4 K = 4.6 D = 3.2	0.5mm² = 1.12 0.35mm² = 1.05 0.25mm² = 1.0 0.2mm² = 0.98	E = 1.7 G = 2.1 D_w = 2.4	H = 4.2 K = 4.35 R = 2.4	MOC-Application 878334-2	539635-1 416 Material 539797-2	2.5	4.9	6.5	18.8	0.9	828904-1	828922-1

THIS DRAWING IS NOT SUBJECT TO CONSTANT CHANGING SERVICE AND DOES NOT LAY CLAIM TO BE COMPLETE. FOR DEFINITE SPECIFICATION SEE RESPECTIVE AMP CUSTOMER DRAWINGS. FURTHER VERSIONS ON INQUIRY.
 Diese Zeichnung unterliegt nicht dem ständigen Änderungsdienst und erhebt keinen Anspruch auf Vollständigkeit. Verbindliche Angaben sind der jeweiligen AMP-Kundenzzeichnung zu entnehmen. Weitere Ausführungen auf Anfrage.

AMP Deutschland GmbH
 D - 63225 Langen

PRODUCT GROUP DRAWING FOR JUNIOR POWER THER CONTACT
 Produkt-Gruppen-Zeichnung fuer: JPT Kontakt

10E-18013
 11E-18013
 11E-18050

11E 10E 09E 08E 07E 06E 05E 04E 03E 02E 01E
 A1 00779 (REPLACES 11E-1801E-002)

CUSTOMER DRAWING / KUNDENZICHUNG 10E 11E 12E 13E 14E 15E 16E 17E 18E 19E 20E 21E 22E 23E 24E 25E 26E 27E 28E 29E 30E 31E 32E 33E 34E 35E 36E 37E 38E 39E 40E 41E 42E 43E 44E 45E 46E 47E 48E 49E 50E 51E 52E 53E 54E 55E 56E 57E 58E 59E 60E 61E 62E 63E 64E 65E 66E 67E 68E 69E 70E 71E 72E 73E 74E 75E 76E 77E 78E 79E 80E 81E 82E 83E 84E 85E 86E 87E 88E 89E 90E 91E 92E 93E 94E 95E 96E 97E 98E 99E 100E