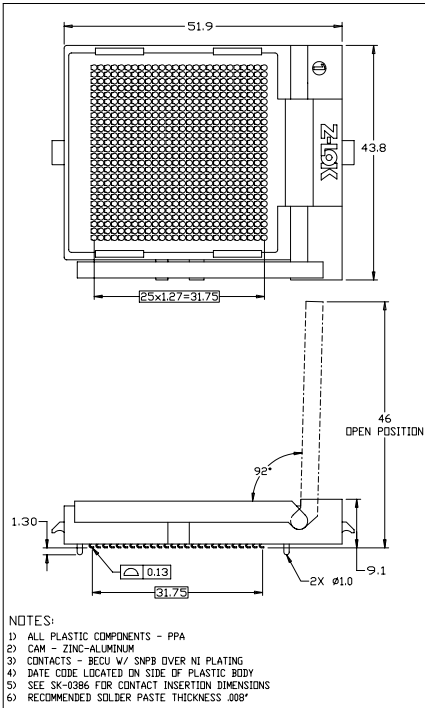
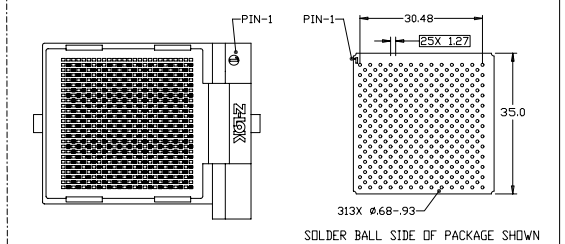
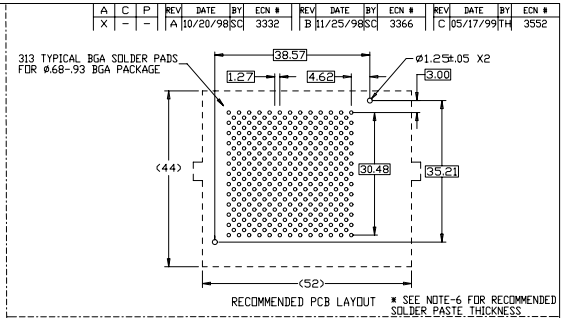


THE DRAWINGS AND INFORMATION CONTAINED HEREIN ARE THE EXCLUSIVE PROPERTY OF ACTEL.
 THE INFORMATION, DRAWINGS AND DESIGN CONCEPTS CONTAINED HEREIN ARE CONFIDENTIAL/PROPRIETARY, SHALL
 BE MAINTAINED IN STRICT CONFIDENCE, AND SHALL NOT BE RELEASED TO ANY THIRD PARTY WITHOUT THE EXPRESS
 WRITTEN PERMISSION OF ACTEL.

ECN NO.	REV.	DESCRIPTION OF CHANGE	EFFECTIVE DATE	ORIGINATOR
2000278	0	update Rev with Vendor (Wells-)CTI	09/18/2000	Lijie Zhao
2000028	1	Remove word "Actel Confidential" from drawing	01/15/2005	Lijie Zhao



- NOTES:
- 1) ALL PLASTIC COMPONENTS - PPA
 - 2) CAM - ZINC-ALUMINUM
 - 3) CONTACTS - BECU W/ SNPB OVER NI PLATING
 - 4) DATE CODE LOCATED ON SIDE OF PLASTIC BODY
 - 5) SEE SK-0386 FOR CONTACT INSERTION DIMENSIONS
 - 6) RECOMMENDED SOLDER PASTE THICKNESS .008"



LEGEND	THIS DOCUMENT CONTAINS PROPRIETARY INFORMATION THAT IS THE SOLE PROPERTY OF WELLS-CTI. THIS INFORMATION IS TO BE HELD BY ITS RECIPIENT ON A CONFIDENTIAL BASIS AND IS NOT TO BE DISCLOSED TO OTHERS OR USED WITHOUT WRITTEN CONSENT OF WELLS-CTI.	MATERIAL/FINISH	DRAWN	DATE	PROJECT
⊕ CRITICAL			2-23-99		BGA PRODUCTION SOCKET
○ TOTAL NO. OF CIRCLES		REFERENCE	ENGINEER		35MM, 313LD, 1.27 C/C
□ PROJECTION	DO NOT SCALE	PROJECT/SERIES	ENGR. SUPPLY		PART NUMBER
		TELERANGES	WFL. ENG.		8635-313-0-00
		HOLDING	SCALE		UNITS: mm (in)
		TOLING	DATE NUMBER		SHEET 1 OF 1

UNLESS OTHERWISE SPECIFIED DIMENSIONS ARE IN MILLIMETERS		PROJECTION	Actel ACTEL CORPORATION 2061 Stierlin Court Mountain View, CA 94043-4655	
DECIMAL	ANGULAR		TITLE	
X.X ±0.10	±1°		Z-LOK BGA SURFACE MOUNT SOCKET	
X.XX ±0.05			35MM, 313LD, 1.27 C/C	
X.XXX ±0.03			VENDOR NAME	ACTEL DWG. NUMBER
			Wells-CTI Phoenix AZ	1-07-09023
MATERIAL	SEE NOTES		VENDOR DWG. NUMBER	REV
FINISH	SEE NOTES		8635-313-0-00	c
	DO NOT SCALE DRAWING		Actel Part Number Sc-BG313	SCALE: NONE SHEET 1 OF 1