

**Miniature  
10 Amps • 4PDT  
To MIL-PRF-83536  
DC Suppressed Coils**

**SPECIFICATIONS**

**GENERAL**

**Contact Arrangement** ..... 4PDT (4 Form C)  
**Weight** ..... 3.0 oz approx.  
 Designed to meet the requirements of MIL-PRF-83536

**PERFORMANCE**

**Contact Rating (Note 1):**

Resistive ..... 10 Amps @ 28 VDC or  
 115/208V 400 Hz  
 (Case Grounded)  
 Inductive ..... 8 Amps @ 28 VDC or  
 115/208V 400 Hz  
 (Case Grounded)  
 2.5 Amps @ 115/208V 60 Hz  
 (Case Grounded)  
 Motor ..... 4 Amps @ 28 VDC or  
 115/208V 400 Hz  
 (Case Grounded)  
 2 Amps @ 115/208V 60 Hz  
 (Case Grounded)  
 Lamp ..... 2 Amps @ 28 VDC or  
 115/208V 400 Hz  
 (Case Grounded)  
 1.5 Amps @ 115/208V 60 Hz  
 (Case Grounded)

**Life** ..... 100,000 operations minimum @ rated  
 resistive load, 125°C

**Pull In Power** ..... 500 mw approx.

**Operate/Release Time:** **DC Coil**  
 15 ms max  
 Excluding bounce time at nominal coil voltage

**Contact Bounce Time** ..... 1 ms max  
 @ rated contact load, 28 VDC

**Contact Voltage Drop:**  
 Before Life ..... 150 mv max @ 10 Amps  
 and 6 VDC  
 After Life ..... 175 mv max @ 10 Amps  
 and 6 VDC

**ENVIRONMENTAL**

**Temperature Range** ..... -70°C to +125°C  
**Vibration (Note 2)** ..... 0.12" DA 10 - 70 Hz  
 30 G's 70 - 3,000 Hz  
**Shock (Operating)(Note 2)** ..... 200 G's 6 ms

**ELECTRICAL CHARACTERISTICS**

**Duty Cycle** ..... Continuous  
**Insulation Resistance** ..... 100 megohms  
 @ 500V 25°C

**Dielectric Strength:**

Sea Level:  
 Contact to Case ..... 1,250 VRMS  
 Contact to Coil ..... 1,250 VRMS  
 Coil to Case ..... 1,000 VRMS  
 Across Open Contacts ..... 1,250 VRMS  
 80,000 Feet:  
 All Points ..... 350 VRMS

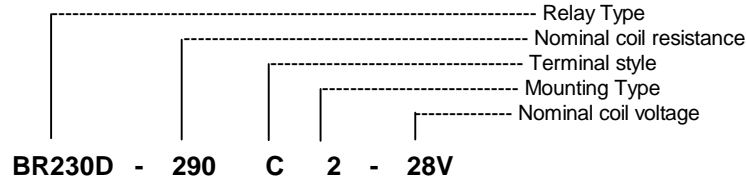
**MIL-PRF-83536/16 QUALIFIED to ER level M**

**Notes:**

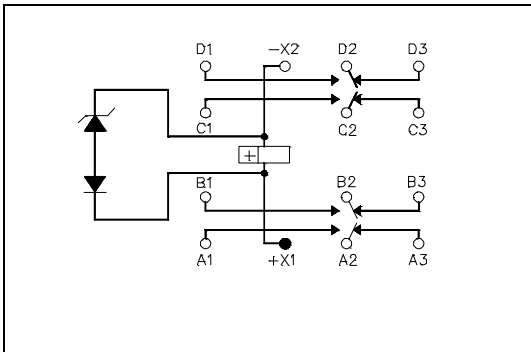
1. For other ratings consult the factory.
2. For applications requiring higher shock and vibration, consult the factory.
3. AC coil line frequency 50 to 400 Hz.

## COIL DATA:

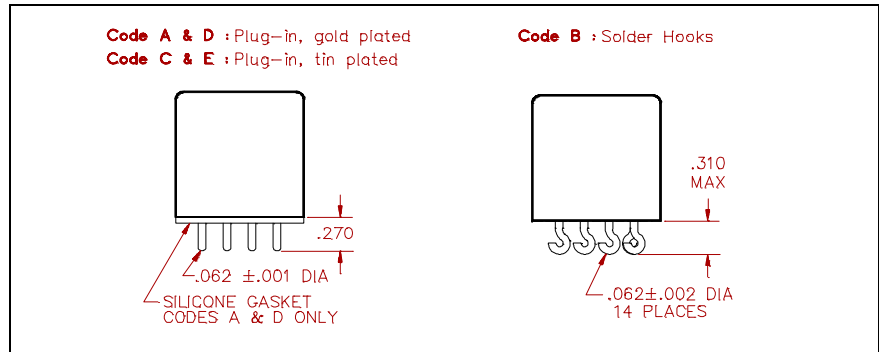
MODEL BR230D PART NUMBER	BR230D-20() <sup>( )</sup> -6V	BR230D-78() <sup>( )</sup> -12V	BR230D-290() <sup>( )</sup> -28V	BR230D-890() <sup>( )</sup> -48V
NOMINAL COIL VOLTAGE	6 VDC	12 VDC	28 VDC	48 VDC
MAXIMUM COIL VOLTAGE	8 VDC	15 VDC	29 VDC	59 VDC
PULL IN VOLTAGE (MAX @ +125°C)	4.5 VDC	9 VDC	18 VDC	36 VDC
DROP OUT VOLTAGE (MAX)	1.8 VDC	3.5 VDC	5.1 VDC	11 VDC
MAXIMUM BACK EMF	9 VDC	18 VDC	42 VDC	72 VDC
COIL RESISTANCE ± 10% @ 25°C	20 OHMS	78 OHMS	290 OHMS	890 OHMS



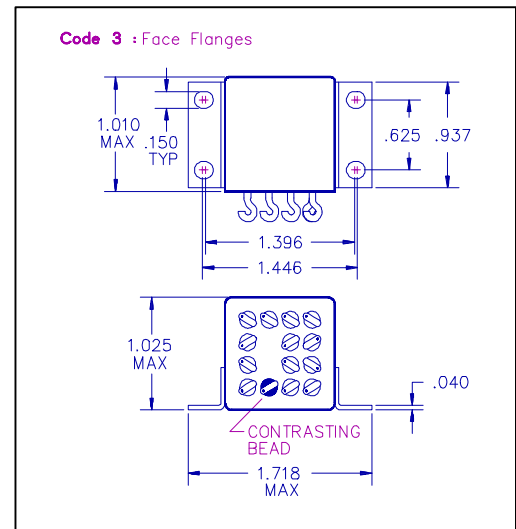
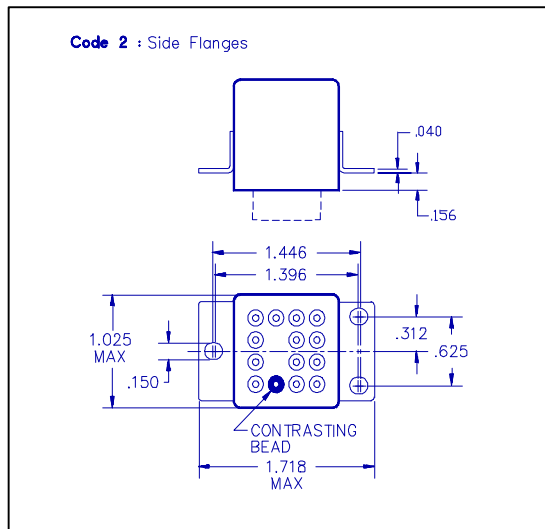
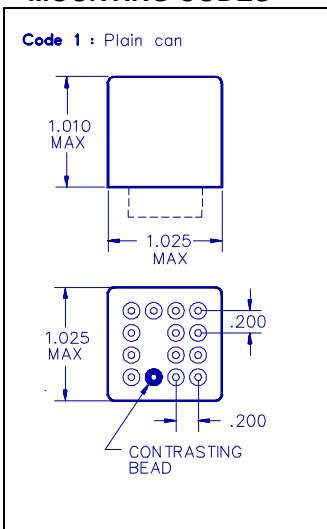
## SCHEMATIC TERMINAL VIEW



## TERMINAL STYLES



## MOUNTING CODES



## GENERAL NOTES

- Unless otherwise specified, all tests made at nominal coil voltages, @ 25°C.
- For special coil variations, switching configurations, terminals styles and mounting types, consult the factory.
- Unless otherwise specified, tolerances on decimal dimensions are ± .010".
- Specifications contained herein are subject to change without notice.